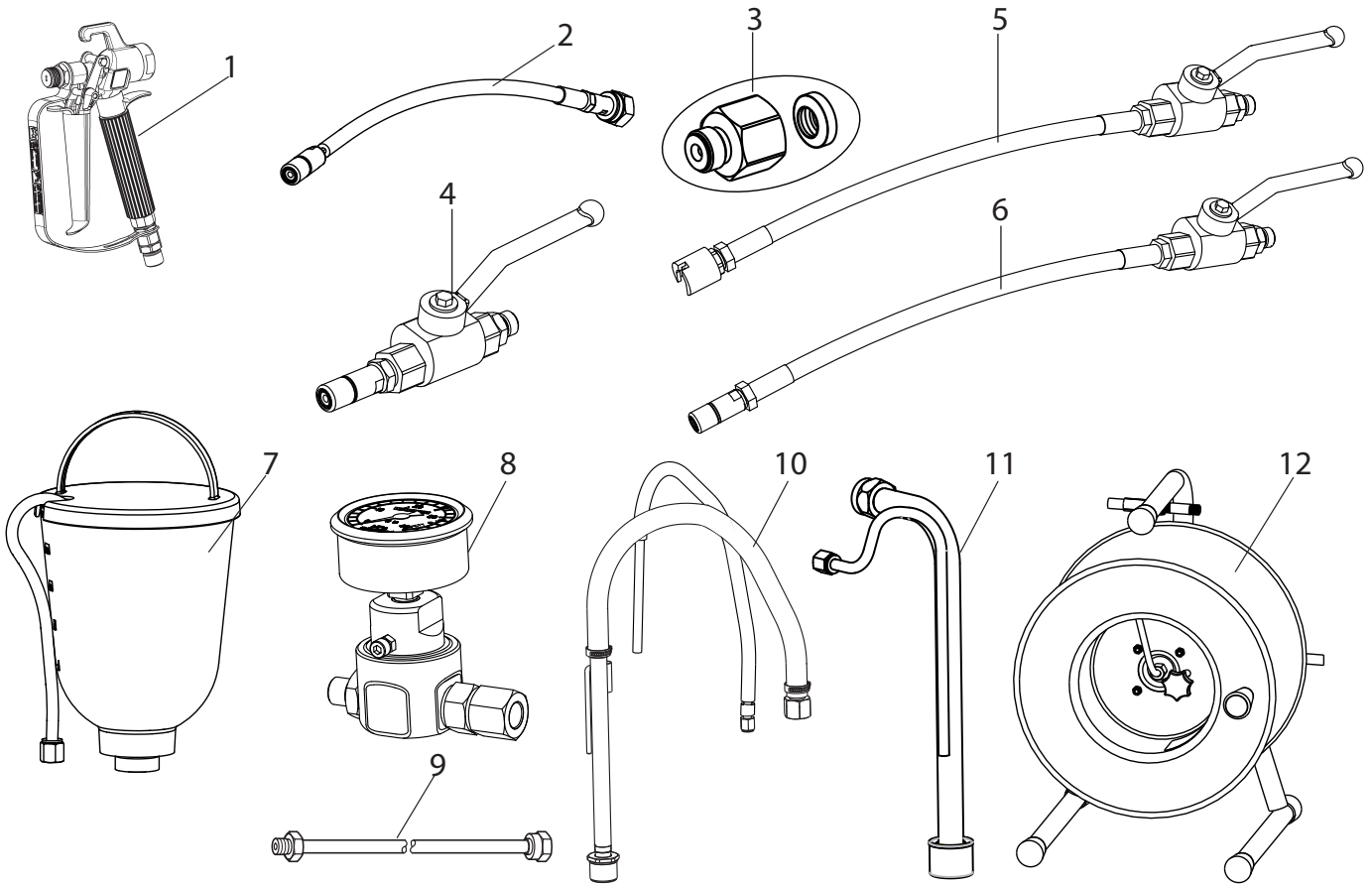


# 11 SPARE PARTS AND ACCESSORIES

## 11.1 SUPER FINISH 23 CR ACCESSORIES



**Accessories:**

ITEM	DESIGNATION	ORDER NO.
1	Spray gun AG-14 (stainless steel)	0502081A
2	Whip hose	0097 057
3	Adapter G to F thread	2405153
4	HP ball cock with mouth piece (1/4"NPSM)	2353 754
5	HP ball cock with whip hose and slide coupling (1/4"NPSM)	2353 789
6	HP ball cock with whip hose and mouth piece (1/4"NPSM)	2353 788
7	Hopper 5l	2357 506
8	Pressure measuring unit 400 bar	2353 487
9	Tip extension Length 15 cm Length 30 cm Length 45 cm Length 60 cm	0556 074 0556 075 0556 076 0556 077
10	Suction system (flexible)	2393123

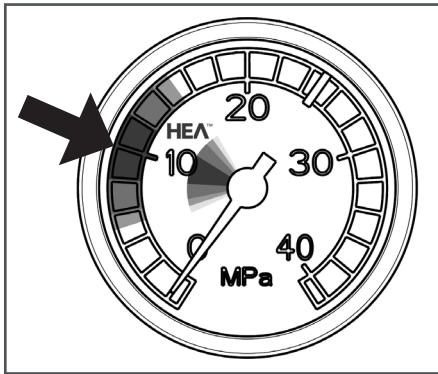
ITEM	DESIGNATION	ORDER NO.
11	Suction system (rigid)	2405950
12	Hose reel HR 45, 30m	341912
	HP hose DN-6; 15 m	9984 574
	HP hose DN-6; 6 m (for injection work)	2351 983
	Intake system C-coupling 1.4 m	97082
	Intake system C-coupling 3.5 m	97083
	Reducing double nipple 1/4"NPSM	34038
	TipClean 200 ml	2400214
	TipClean 1L	2400216
	Hydraulic oil Divinol HVI 15 1 L	21061
	EasyClean 1 L	2412656

## HEA NOZZLES FOR LOW-MIST SPRAYING AT LOW PRESSURE

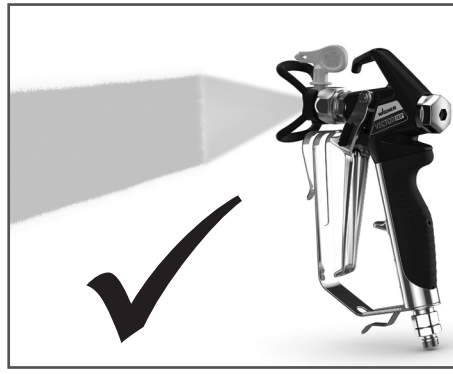


HEA stands for High Efficiency Airless, an innovative nozzle technology revolutionising airless spraying. HEA nozzles allow the pressure of the spray device to be reduced right down and allow it to work in the low-pressure range (ideally at 80 - 140 bar). The nozzles can be used with all TradeTip 3 nozzle holders and WAGNER devices.

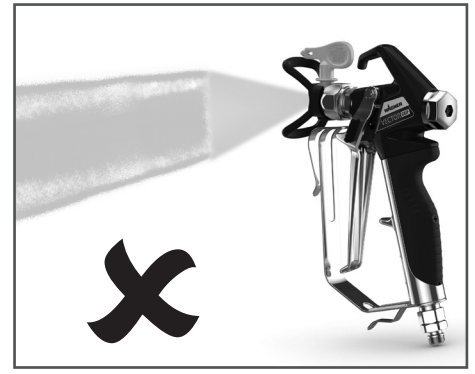
Some paints may need to be diluted to achieve the best result possible. The experts at Wagner application technology have therefore tested a wide range of materials for you. Their recommendations can be found in the Wagner Spray Guide at [sprayguide.wagner-group.com](http://sprayguide.wagner-group.com).



Set the low pressure in the HEA range and start.



Even spray pattern without spray edges.



If edges are visible, slowly increase the pressure.

### HEA tip table

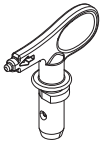


All of the tips in the table below are supplied together with the appropriate gun filter.

Application	Tip marking	Spray angle	Bore inch / mm	Spraying width mm 1)	Gun filter	Order no.
Synthetic-resin paints PVC paints	211	20°	0.011 / 0.28	120	red	0554211
	311	30°	0.011 / 0.28	150	red	0554311
	411	40°	0.011 / 0.28	190	Rot	0554411
Paints, primers Fillers	213	20°	0.013 / 0.33	120	red	0554213
	313	30°	0.013 / 0.33	150	red	0554313
	413	40°	0.013 / 0.33	190	red	0554413
Fillers Rust protection paints	415	40°	0.015 / 0.38	190	yellow	0554415
	515	50°	0.015 / 0.38	225	yellow	0554515
	615	60°	0.015 / 0.38	270	yellow	0554615
Rust protection paints Latex paints Dispersions	417	40°	0.017 / 0.43	190	white	0554417
	517	50°	0.017 / 0.43	225	white	0554517
	617	60°	0.017 / 0.43	270	white	0554617
Rust protection paints Latex paints Dispersions	519	50°	0.019 / 0.48	225	white	0554519
	619	60°	0.019 / 0.48	270	white	0554619
Flame retardant	421	40°	0.021 / 0.53	190	white	0554421
	521	50°	0.021 / 0.53	225	white	0554521
	621	60°	0.021 / 0.53	270	white	0554621

1) Spray width at about 30 cm to the object and 100 bar (10 MPa) pressure with synthetic-resin paint 20 DIN seconds.

## Airless tip table



**Wagner  
TradeTip 3 tip**  
up to 270 bar  
(27 MPa)



without tip  
G thread (7/8 - 14 UN)  
**Order no. 0289390**



All of the tips in the table below are supplied together with the appropriate gun filter.

Application	Tip marking	Spray angle	Bore inch / mm	Spraying width mm 1)	Gun filter	Order no.
<b>Water-thinnable and solvent-based paints and varnishes, oils, separating agents</b>	107	10°	0.007 / 0.18	100	red	0553107
	207	20°	0.007 / 0.18	120	red	0553207
	307	30°	0.007 / 0.18	150	red	0553307
	407	40°	0.007 / 0.18	190	red	0553407
	109	10°	0.009 / 0.23	100	red	0553109
	209	20°	0.009 / 0.23	120	red	0553209
	309	30°	0.009 / 0.23	150	red	0553309
	409	40°	0.009 / 0.23	190	red	0553409
	509	50°	0.009 / 0.23	225	red	0553509
	609	60°	0.009 / 0.23	270	red	0553609
<b>Synthetic-resin paints PVC paints</b>	111	10°	0.011 / 0.28	100	red	0553111
	211	20°	0.011 / 0.28	120	red	0553211
	311	30°	0.011 / 0.28	150	red	0553311
	411	40°	0.011 / 0.28	190	red	0553411
	511	50°	0.011 / 0.28	225	red	0553511
	611	60°	0.011 / 0.28	270	red	0553611
<b>Paints, primers Fillers</b>	113	10°	0.013 / 0.33	100	red	0553113
	213	20°	0.013 / 0.33	120	red	0553213
	313	30°	0.013 / 0.33	150	red	0553313
	413	40°	0.013 / 0.33	190	red	0553413
	513	50°	0.013 / 0.33	225	red	0553513
	613	60°	0.013 / 0.33	270	red	0553613
	813	80°	0.013 / 0.33	330	red	0553813
<b>Fillers Rust protection paints</b>	115	10°	0.015 / 0.38	100	yellow	0553115
	215	20°	0.015 / 0.38	120	yellow	0553215
	315	30°	0.015 / 0.38	150	yellow	0553315
	415	40°	0.015 / 0.38	190	yellow	0553415
	515	50°	0.015 / 0.38	225	yellow	0553515
	615	60°	0.015 / 0.38	270	yellow	0553615
	715	70°	0.015 / 0.38	300	yellow	0553715
	815	80°	0.015 / 0.38	330	yellow	0553815
<b>Rust protection paints Latex paints Dispersions</b>	117	10°	0.017 / 0.43	100	white	0553117
	217	20°	0.017 / 0.43	120	white	0553217
	317	30°	0.017 / 0.43	150	white	0553317
	417	40°	0.017 / 0.43	190	white	0553417
	517	50°	0.017 / 0.43	225	white	0553517
	617	60°	0.017 / 0.43	270	white	0553617
	717	70°	0.017 / 0.43	300	white	0553717
	817	80°	0.017 / 0.43	330	white	0553817
<b>Rust protection paints Latex paints Dispersions</b>	219	20°	0.019 / 0.48	120	white	0553219
	319	30°	0.019 / 0.48	150	white	0553319
	419	40°	0.019 / 0.48	190	white	0553419
	519	50°	0.019 / 0.48	225	white	0553519
	619	60°	0.019 / 0.48	270	white	0553619
	719	70°	0.019 / 0.48	300	white	0553719
	819	80°	0.019 / 0.48	330	white	0553819
	919	90°	0.019 / 0.48	385	white	0553919
	<b>Flame retardant</b>	221	20°	0.021 / 0.53	120	white
321		30°	0.021 / 0.53	150	white	0553321
421		40°	0.021 / 0.53	190	white	0553421
521		50°	0.021 / 0.53	225	white	0553521
621		60°	0.021 / 0.53	270	white	0553621
721		70°	0.021 / 0.53	300	white	0553721
821		80°	0.021 / 0.53	330	white	0553821

1) Spray width at about 30 cm to the object and 100 bar (10 MPa) pressure with synthetic-resin paint 20 DIN seconds.



All of the tips in the table below are supplied together with the appropriate gun filter.

Application	Tip marking	Spray angle	Bore inch / mm	Spraying width mm 1)	Gun filter	Order no.
<b>Roof coatings</b>	223	20°	0.023 / 0.58	120	white	0553223
	323	30°	0.023 / 0.58	150	white	0553323
	423	40°	0.023 / 0.58	190	white	0553423
	523	50°	0.023 / 0.58	225	white	0553523
	623	60°	0.023 / 0.58	270	white	0553623
	723	70°	0.023 / 0.58	300	white	0553723
	823	80°	0.023 / 0.58	330	white	0553823
<b>Thick-film materials, Corrosion protection Spray filler</b>	225	20°	0.025 / 0.64	120	white	0553225
	325	30°	0.025 / 0.64	150	white	0553325
	425	40°	0.025 / 0.64	190	white	0553425
	525	50°	0.025 / 0.64	225	white	0553525
	625	60°	0.025 / 0.64	270	white	0553625
	725	70°	0.025 / 0.64	300	white	0553725
	825	80°	0.025 / 0.64	330	white	0553825
	227	20°	0.027 / 0.69	120	white	0553227
	327	30°	0.027 / 0.69	150	white	0553327
	427	40°	0.027 / 0.69	190	white	0553427
	527	50°	0.027 / 0.69	225	white	0553527
	627	60°	0.027 / 0.69	270	white	0553627
	827	80°	0.027 / 0.69	330	white	0553827
	229	20°	0.029 / 0.75	120	white	0553229
	329	30°	0.029 / 0.75	150	white	0553329
	429	40°	0.029 / 0.75	190	white	0553429
	529	50°	0.029 / 0.75	225	white	0553529
	629	60°	0.029 / 0.75	270	white	0553629
	231	20°	0.031 / 0.79	120	white	0553231
	331	30°	0.031 / 0.79	150	white	0553331
	431	40°	0.031 / 0.79	190	white	0553431
	531	50°	0.031 / 0.79	225	white	0553531
	631	60°	0.031 / 0.79	270	white	0553631
	731	70°	0.031 / 0.79	300	white	0553731
	831	80°	0.031 / 0.79	330	white	0553831
	233	20°	0.033 / 0.83	120	white	0553233
	333	30°	0.033 / 0.83	150	white	0553333
	433	40°	0.033 / 0.83	190	white	0553433
	533	50°	0.033 / 0.83	225	white	0553533
	633	60°	0.033 / 0.83	270	white	0553633
	235	20°	0.035 / 0.90	120	white	0553235
	335	30°	0.035 / 0.90	150	white	0553335
	435	40°	0.035 / 0.90	190	white	0553435
	535	50°	0.035 / 0.90	225	white	0553535
	635	60°	0.035 / 0.90	270	white	0553635
	735	70°	0.035 / 0.90	300	white	0553735
439	40°	0.039 / 0.99	190	white	0553439	
539	50°	0.039 / 0.99	225	white	0553539	
639	60°	0.039 / 0.99	270	white	0553639	
<b>Heavy duty applications</b>	243	20°	0.043 / 1.10	120	green	0553243
	443	40°	0.043 / 1.10	190	green	0553443
	543	50°	0.043 / 1.10	225	green	0553543
	643	60°	0.043 / 1.10	270	green	0553643
	445	40°	0.045 / 1.14	190	green	0553445
	545	50°	0.045 / 1.14	225	green	0553545
	645	60°	0.045 / 1.14	270	green	0553645
	451	40°	0.051 / 1.30	190	green	0553451
	551	50°	0.051 / 1.30	225	green	0553551
	651	60°	0.051 / 1.30	270	green	0553651
	252	20°	0.052 / 1.32	120	green	0553252
	455	40°	0.055 / 1.40	190	green	0553455
	555	50°	0.055 / 1.40	225	green	0553555
	655	60°	0.055 / 1.40	270	green	0553655
	261	20°	0.061 / 1.55	120	green	0553261
	461	40°	0.061 / 1.55	190	green	0553461
	561	50°	0.061 / 1.55	225	green	0553561
	661	60°	0.061 / 1.55	270	green	0553661
	263	20°	0.063 / 1.60	120	green	0553263
	463	40°	0.063 / 1.60	190	green	0553463
	565	50°	0.065 / 1.65	225	green	0553565
	665	60°	0.065 / 1.65	270	green	0553665
	267	20°	0.067 / 1.70	120	green	0553267
	467	40°	0.067 / 1.70	190	green	0553467

1) Spray width at about 30 cm to the object and 100 bar (10 MPa) pressure with synthetic-resin paint 20 DIN seconds.

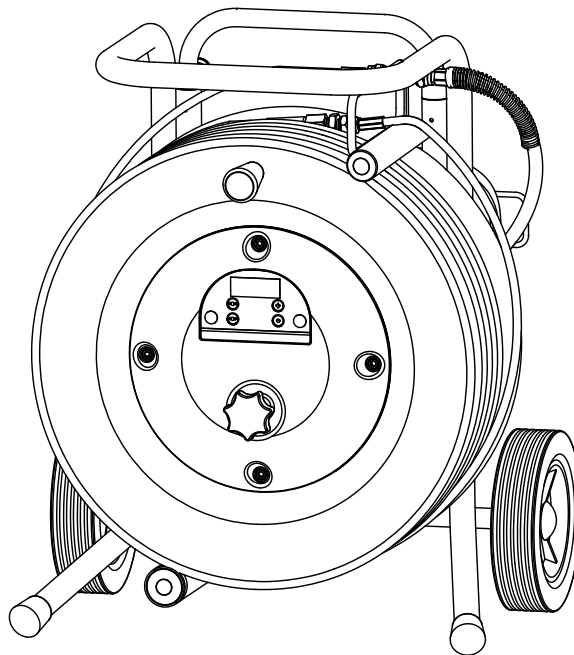
### TEMPSPRAY

The paint material is heated to the required temperature uniformly by an electric heating element, which is located inside the hose (regulated from 20°C to 60°C).

#### Advantages:

- Constant paint temperature even at low outside temperatures
- Considerably better working of high viscosity coating materials
- Increased application efficiency
- Savings in solvents due to reduction in viscosity
- Adaptable to all airless units

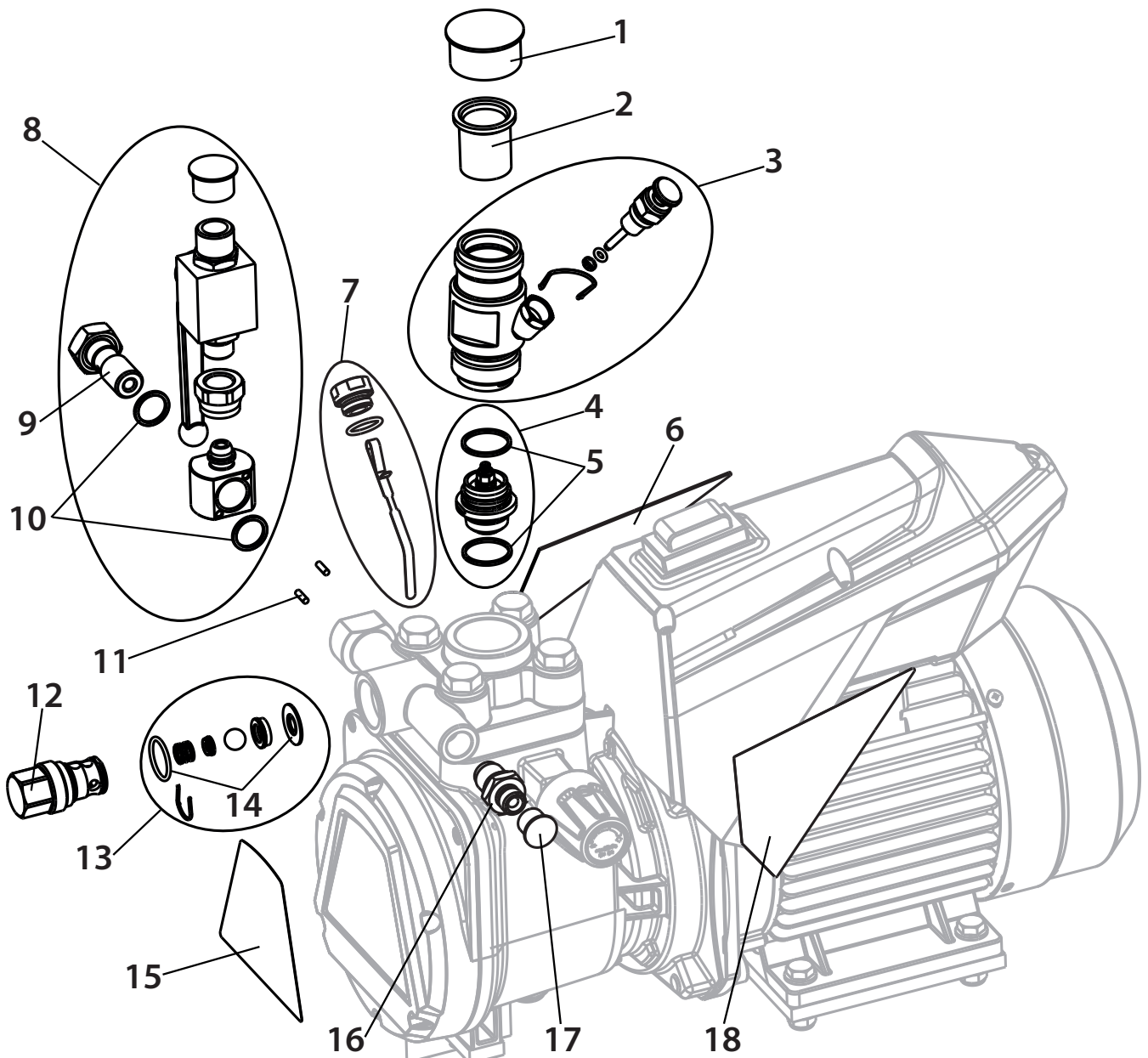
Order No.	Description
2311660 2311853	<b>TempSpray H 226 (ideal for dispersions/materials with high viscosity)</b> Basic unit 1/4" incl. Hose reel, heated hose DN10, 15m, hose 1/4" DN4, 1m Spraypack consisting of: Basic unit (2311660), Airless un AG 14 G thread, incl. Trade Tip 3 nozzle holder and 2SpeedTip D10 (111/419)
2311661 2311854	<b>TempSpray H 326 (ideal for dispersions/materials with high viscosity)</b> Basic unit 1/4" incl. Hose reel, heated hose DN10, 30m, hose 1/4" DN4, 1m Spraypack consisting of: Basic unit (2311661), Airless un AG 14 G thread, incl. Trade Tip 2 nozzle holder and 2SpeedTip D20 (115/421)



## 11.2 SPARE PARTS LIST SUPER Finish 23 CR

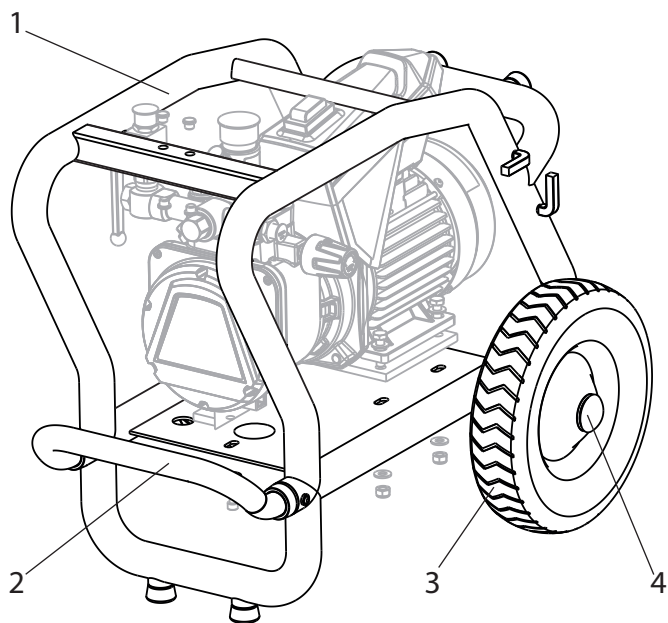
ITEM	ORDER-NO	DESIGNATION
1	2391208	Protective cap
2	2369454	Inlet
3	2422746	Inlet valve housing
4	2393043	Inlet valve assy.
5	2369458	Sealing ring (1 pc.)
6	2398994	Label Wagner (right)
7	2393044	Oil cap screw kpl. assy.
8	2422749	Discharge tap assy.
9	2415593	Banjo bolt

ITEM	ORDER-NO	DESIGNATION
10	2417151	Sealing ring (1 pc.)
11	2382401	Cylindrical pin (1 pc.)
12	2422747	Outlet valve housing assy.
13	2393106	Outlet valve assy.
14	2393105	O-ring and sealing ring
15	2416965	Label SF 23 CR
16	2369436	Reducing double nipple
17	2391210	Protective cap
18	2398998	Label Wagner (left)



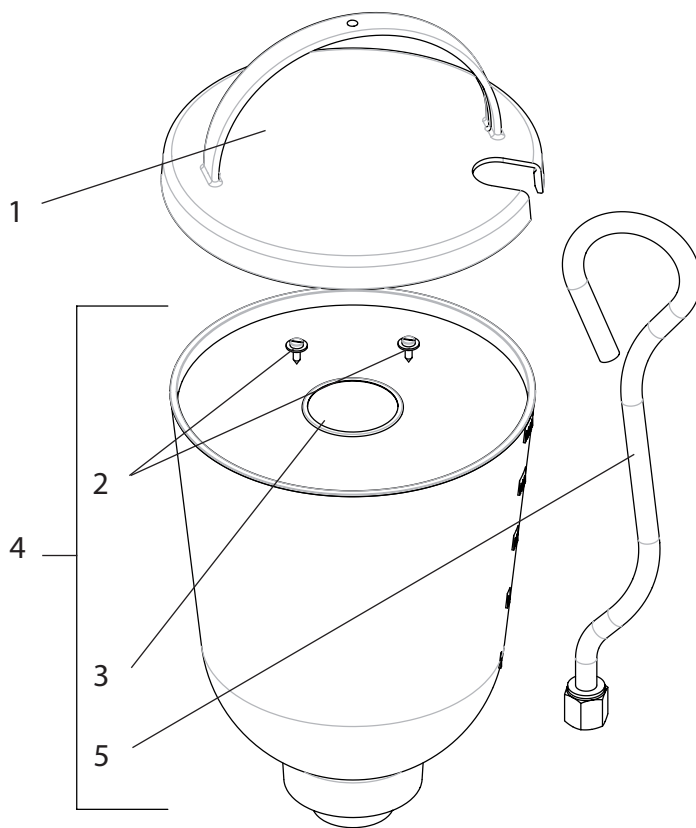
**11.3 SPARE PARTS LIST TROLLEY**

ITEM	ORDER NO.	DESIGNATION
1	2415521	Trolley assy. (incl. pos. 2-4)
2	2402496	Handle assy.
3	2402494	Wheel (1 pc.)
4	9994950	Wheel cap (1 pc.)



**11.4 SPARE PARTS LIST HOPPER 5L**

ITEM	ORDER-NO	DESIGNATION
-	2357 506	Hopper 5l. assy.
1	0340 901	Cover
2	9902 306	Sheet metal screw 3,9x13 (2)
3	0037 607	Filter disk, mesh width 0,8 mm
	0003 756	Optional: Filter disk, mesh width 0,4 mm
4	0340 904	Hopper
5	2357 505	Return pipe



**Spare parts diagram hopper**

**Spare parts diagram trolley Super Finish 23 CR**