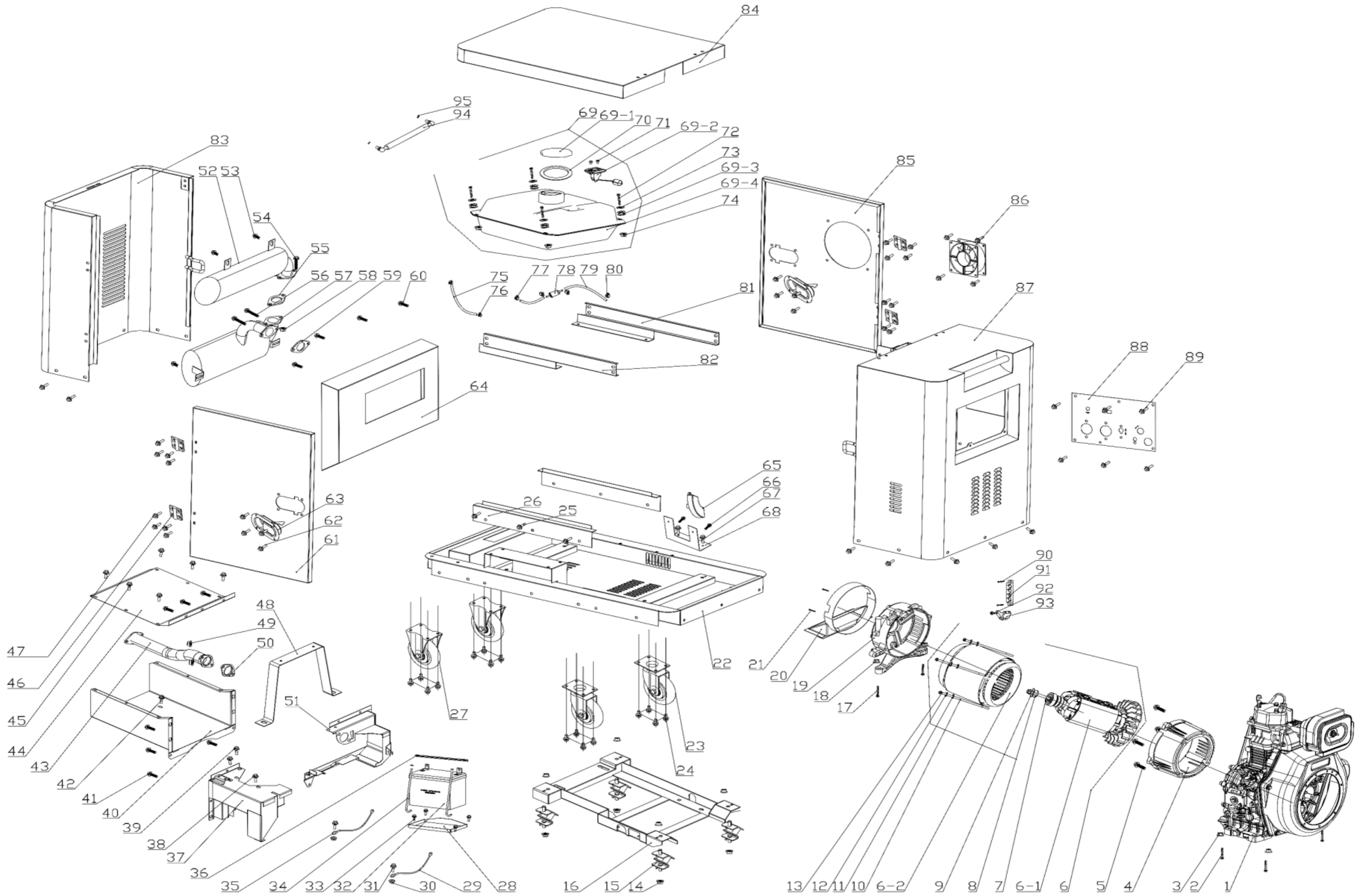


Explozie piese de schimb SCD10000Q/SCD10000Q-3



N O.	factory code	part name		QTY	
				SCD10000Q	SCD10000Q-3
1	71.017.0063.1	Engine	198FD/50Hz//1:5	1	
2	72.008.5038	bolt	M8*1.25/40/S=10/8.8/	4	
3	72.008.5019	Nut	M8*1.25/S=13/8.8	4	
4	13.029.0052	Generator cover	204	1	
5	72.008.9063	bolt	M8*1.25/30/S=10/8.8	4	
6	11.503.0061	generator	8KW/220V/50HzDCY/204W*150R/JSSC/204/AVR	1	/
	11.503.0063	generator	8KW/220V/380V/50HzDCY/204W二*150B/JSSC/204/AVR	/	1
6-1	/	Generator rotor	8KW/Y/150B/28027.95/59/1:5/204	1	
7	35.014.0199	bolt	(GB/T5789) M10*1.25*260	1	
8	35.018.0028	Flat pad		1	
9	35.017.0004	Spring cushion	30*10.5*2.5	1	
6-2	/	Generator stator	8KW/220V/380V/50HzDCY/204*150B	1	
10	35.014.0077	bolt	(GB/T5789) M6*190	1	
11	35.018.0004	Flat pad	GB/T95*φ6	4	
12	35.017.0009	Spring cushion	GB/T93*φ6	4	
13	/	/	/	/	
14	72.008.9001	Nut	M10*1.5/S=14//8.8	8	
15	71.011.0003	Shock absorber	80±5/M10*18/M10*16	4	
16	/	bracket	19FD/204	1	
17	72.008.5038	bolt	M8*1.25/40/S=10/8.8	2	
18	72.008.5019	Nut	M8*1.25/S=13//8.8	2	
19	13.030.0046	Motor bracket	204 6.5	1	
20	/	Motor tail cover	204	1	
21	35.014.0069	bolt	(GB/T5789) M5*12	3	
22	/	Box base		1	
23	71.022.0044	steering wheel	3	2	
24	72.008.5034	bolt	M8*1.25/16/S=10/8.8	16	
25	/	Trim panel		2	
26	72.008.5026	bolt	M6*1/12/S=8/8.8	6	
27	71.022.0045	Directional wheel	3	2	

NO.	factory code	part name		QTY	
				SCD10000Q	SCD10000Q-3
28	/	Battery mounting plate	N1-9	1	
29	71.022.0011	Battery positive wire	φ8*φ8/900mm/10AWG	1	
30	72.008.5018	Nut	M6*1/S=10//8.8	4	
31	72.008.5026	bolt	M6*1/12/S=8/8.8級	2	
32	71.025.0076	Battery	U1-9/12V/24A.H/19	1	
33	72.008.5026	bolt	M6*1/12/S=8/8.8	4	
34	/	L type bolt	M6*210	2	
35	71.022.0064	Battery negative wire	/φ8*φ8/500mm/10	1	
36	/	Battery pressure plate	U1-9	1	
37	/	Rear air deflector	198	1	
38	72.008.5034	bolt	M8*1.25/16/S=10/8	2	
39	72.008.5026	bolt	M6*1/12/S=8/8.8	1	
40	/	Wind channel		1	
41	72.008.5026	bolt	M6*1/12/S=8/8.8	6	
42	72.008.5034	bolt	M8*1.25/16/S=10/8.8	2	
43	/	Bellows	198	1	
44	/	Wind channel cover		1	
45	72.008.5026	bolt	M6*1/12/S=8/8.8	9	
46	/	Hinge	M6/	6	
47	72.008.5026	bolt	M6*1/12/S=8/8.8	24	
48	/	Air duct support plate		1	
49	/	Nut	M8*1.25/8.8	2	
50	/	Muffler gasket	198FD	1	
51	/	Front wind deflector	198FD	1	
52	/	silencer-2	198FD	1	
53	72.008.5034	bolt	M8*1.25/16/S=10/8	4	
54	72.008.9063	bolt	M8*1.25/30/S=10/8	2	
55	/	Muffler gasket	198FD	1	
56	72.008.9063	bolt	M8*1.25/30/S=10/8	2	
57	/	silencer-1	198FD	1	
58	72.008.5019	Nut	M8*1.25/8.8	2	
59	/	Muffler gasket	198FD	1	
60	72.008.5026	bolt	M6*1/12/S=8/8.8	12	
61	/	door plank-1		1	
62	72.008.5026	bolt	M6*1/12/S=8/8.8	8	

63	/	Door lock		1	
64	/	Muffler mounting chamber		1	
65	12.012.0300.1	A.V.R.		1	
66	72.008.5028	bolt	M6*1/16/S=8/8.8	2	
67	72.008.5026	bolt	M6*1/12/S=8/8.8	2	
68	/	A.V.R. Mounting plate		1	
69	/	Fuel tank	12.5L	1	
69-1	/	Fuel tank cap		1	
70	/	Damping washer		1	
71	71.023.0006	bolt	M5*10/GB/T 819.1-2000	2	
69-2	71.025.0367	Fuel level gauge	88mm	1	
72	72.008.5028	bolt	M6*1/16/S=8/8.8	4	
73	72.008.9061	Fuel tank gasket	Φ6*Φ22*2	4	
69-3	/	/	/	/	
69-4	/	Fuel tank cavity	/12.5L	1	
74	/	/	/	/	
75	71.022.0008	Fuel return pipe	Φ4.5*Φ8.5/	0.6	
76	72.008.0068	Clamp	B8	2	
77	72.008.5002	Clamp	B13	1	
78	71.009.0006	Diesel filter	101*Φ31*Φ37	1	
79	71.022.0056	Fuel inlet pipe	Φ8*Φ14	0.3	
80	72.008.0072	Clamp	B12	3	
81	/	Oil tank lug-1		1	/
82	/	Oil tank lug-2		1	
83	/	Muffler side plate		1	
84	/	Top cover		1	
85	/	door plank-2		1	
86	71.025.0204	Axial fan	220V/155*155	1	
87	/	Power side panel		4	
88	71.019.0296	Control panel assembly	SCD10000Q/230V/	1	/
	71.019.0297	Control panel assembly	SCD10000Q-3/400V	/	/
89	72.008.5026	bolt	M6*1/12/S=8/8.8	6	
90	35.014.0069	bolt	(GB/T5789) M5*12	2	
91	12.015.0016	Wiring board assembly	85.5*24*26	1	

92	35.014.0069	bolt	(GB/T5789)M5*12	1
93	12.014.0019	Carbon brush	190	1
94	/	Hydraulic ejector rod		1
95	72.008.5018	nut	/M6*1/S=10//8.8	2