



# EXPLOZIE PIESE DE SCHIMB

**model : SC6000E-11**

**10001-00961-02**

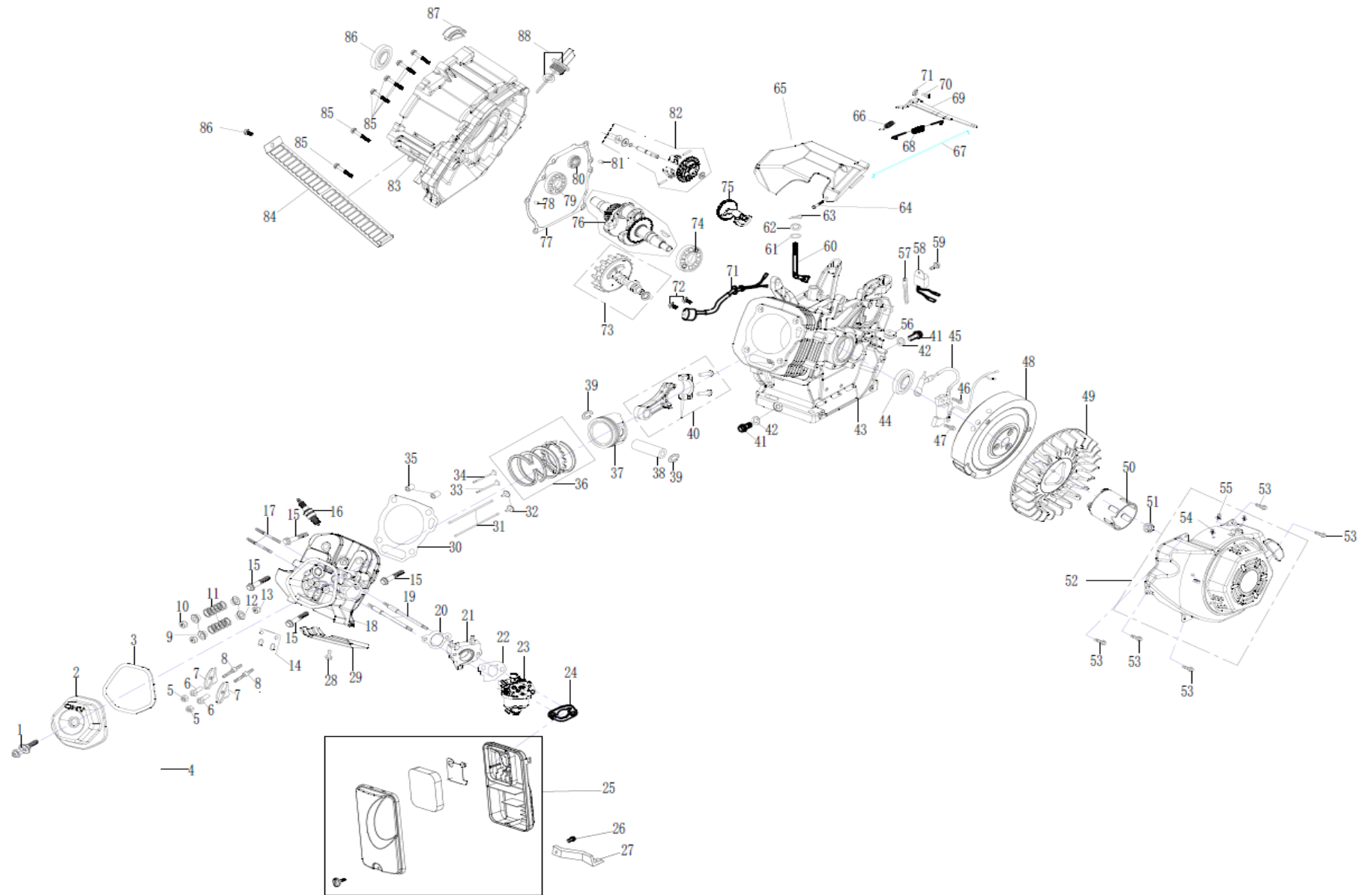
**5.5kW**



# 5. 5kW Explosive View

|   |            |
|---|------------|
| <b>E-01 engine.....</b>                 | <b>1-5</b> |
| <b>E-02 frame assembly.....</b>         | <b>6-7</b> |
| <b>E-03 alternator assembly.....</b>    | <b>8-9</b> |
| <b>E-04 fuel tank assembly.....</b>     | <b>10</b>  |
| <b>E-05 muffler assembly.....</b>       | <b>11</b>  |
| <b>E-06 control panel assembly.....</b> | <b>12</b>  |

# E-01 Engine



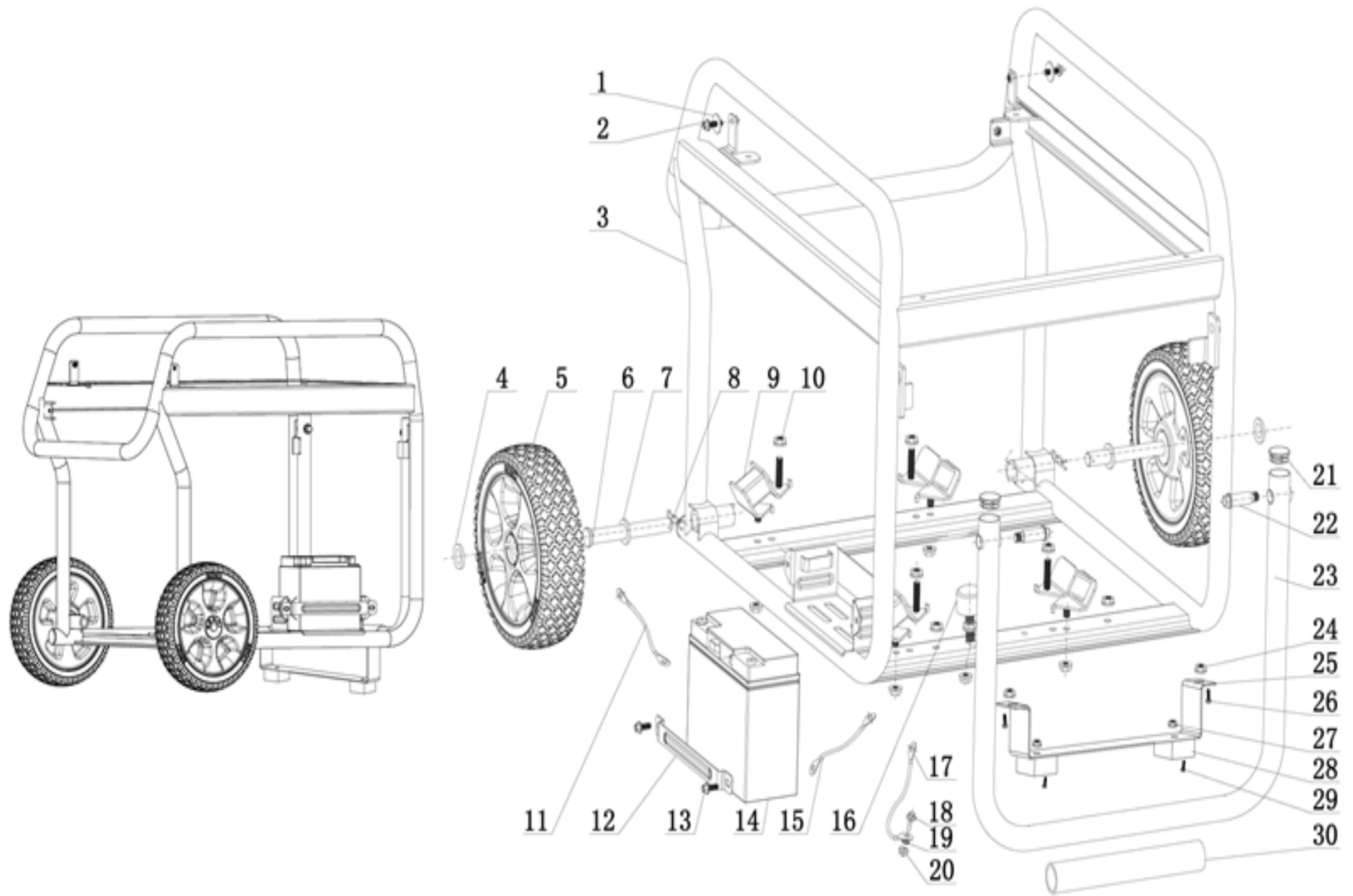
|  | Description | QTY |
|--|-------------|-----|
|--|-------------|-----|

| NO. | Part NO.       | English                  | Price (USD) |   |  | N.W. (kg) /PC |
|-----|----------------|--------------------------|-------------|---|--|---------------|
| 1   | 33580-00014-01 | Bolt                     |             | 1 |  |               |
| 2   | 20021-00004-01 | COVER COMP.HEAD          |             | 1 |  |               |
| 3   | 33048-00028-00 | GASKET,HEAD COVER        |             | 1 |  |               |
| 4   | 34023-00021-01 | TUBE,BREATHER            |             | 1 |  |               |
| 5   | 30121-00034-01 | NUT                      |             | 2 |  |               |
| 6   | 30134-00005-01 | ROCKER SHAFT             |             | 2 |  |               |
| 7   | 34019-00005-00 | ROCKER ARM               |             | 2 |  |               |
| 8   | 30110-00033-01 | BOLT VALVE               |             | 2 |  |               |
| 9   | 34016-00005-00 | RETAINER,VALVE SPRING    |             | 2 |  |               |
| 10  | 34016-00009-00 | ROTATOR, VALVE           |             | 4 |  |               |
| 11  | 34015-00023-00 | RETAINER,VALVE SPRING    |             | 2 |  |               |
| 12  | 34016-00008-00 | RETAINER,VALVE<br>BOTTOW |             | 2 |  |               |
| 13  | 34007-00001-01 | OIL SEAL                 |             | 2 |  |               |
| 14  | 34017-00008-00 | PLATE,PUSH ROD GUIDE     |             | 1 |  |               |
| 15  | 30101-00506-00 | BOLT                     |             | 4 |  |               |
| 16  | 20027-00011-00 | SPARK PLUG               |             | 1 |  |               |
| 17  | 30110-00027-01 | BOLT,STUD,EXHAUST        |             | 2 |  |               |
| 18  | 20023-00061-00 | CYLINDER HEAD COMP       |             | 1 |  |               |
| 19  | 30110-00021-01 | BOLT,STUD,INTAKE         |             | 1 |  |               |
| 20  | 33048-00053-00 | GASKET,INTAKE            |             | 1 |  |               |
| 21  | 34012-00014-01 | INSULATOR,CARBURETOR     |             | 1 |  |               |
| 22  | 33048-00078-00 | GASKET,CARBURETOR        |             | 1 |  |               |
| 23  | 20024-00085-00 | CARBURETOR               |             | 1 |  |               |
| 24  | 33048-00047-00 | GASKET,AIR CLEANER       |             | 1 |  |               |
| 25  | 20025-00083-01 | AIR CLEANER ASSY         |             | 1 |  |               |

|    |                |                          |  |   |  |  |
|----|----------------|--------------------------|--|---|--|--|
| 26 | 30101-00281-00 | ELEMENT ASSY,AIR CLEANER |  | 1 |  |  |
| 27 | 33499-00018-00 | BASE COMP,AIR CLEANER    |  | 1 |  |  |
| 28 | 30101-00281-00 | <b>BOLT</b>              |  | 1 |  |  |
| 29 | 34021-00001-01 | WIND COVER,DOWN          |  | 2 |  |  |
| 30 | 33048-00034-00 | GASKET,HEAD COVER        |  | 1 |  |  |
| 31 | 34020-00010-00 | PUSH ROD                 |  | 2 |  |  |
| 32 | 34008-00006-00 | LIFTER,VALVE             |  | 2 |  |  |
| 33 | 34013-00080-00 | VALVE, INTAKE            |  | 1 |  |  |
| 34 | 34013-00034-00 | VALVE,EXHAUST            |  | 1 |  |  |
| 35 | 34006-00007-00 | DOWEL PIN                |  | 2 |  |  |
| 36 | 20084-00007-00 | RING SET,PISTON          |  | 1 |  |  |
| 37 | 34004-00014-00 | PISTON                   |  | 1 |  |  |
| 38 | 34006-00015-00 | PIN,PISTON               |  | 1 |  |  |
| 39 | 30150-00023-00 | CLIP,PISTON PIN          |  | 2 |  |  |
| 40 | 20008-00007-00 | CONNECTING ROD ASSY      |  | 1 |  |  |
| 41 | 30101-00514-01 | BOLT                     |  | 1 |  |  |
| 42 | 30136-00080-01 | WASHER                   |  | 1 |  |  |
| 43 | 34011-00017-00 | CRANKCASE                |  | 1 |  |  |
| 44 | 34007-00012-01 | OIL SEAL                 |  | 1 |  |  |
| 45 | 20028-00030-01 | WIRE,ENGINE SWITCH       |  | 1 |  |  |
| 46 | 30101-00283-00 | BOLT                     |  | 2 |  |  |
| 47 | 30101-00283-00 | BOLT                     |  | 2 |  |  |
| 48 | 33099-00045-00 | FLYWHEEL COMP            |  | 1 |  |  |
| 49 | 33155-00042-01 | FAN COOLING              |  | 1 |  |  |
| 50 | 34022-00028-01 | PULLEY,STARTER           |  | 1 |  |  |
| 51 | 30125-00035-01 | <b>Nut</b>               |  | 1 |  |  |

|    |                |                           |  |   |  |  |
|----|----------------|---------------------------|--|---|--|--|
| 52 | 20010-00069-20 | RECOIL STARTER COMP       |  | 1 |  |  |
| 53 | 30101-00281-00 | Bolt                      |  | 5 |  |  |
| 54 | 34024-00009-01 | clips                     |  | 1 |  |  |
| 55 | 34024-00008-01 | clips                     |  | 1 |  |  |
| 56 | 33036-00044-01 | RUBBER FIXED BLOCK        |  | 1 |  |  |
| 57 | 34024-00004-01 | metal clip                |  | 1 |  |  |
| 58 | 33246-00003-01 | Oil alarm                 |  | 1 |  |  |
| 59 | 30101-00281-00 | Bolt                      |  | 1 |  |  |
| 60 | 34026-00005-01 | SHAFT,GOVERNOR            |  | 1 |  |  |
| 61 | 30136-00095-02 | Flag washer               |  | 1 |  |  |
| 62 | 34007-00002-01 | OIL SEAL                  |  | 1 |  |  |
| 63 | 34006-00017-00 | lock clip                 |  | 1 |  |  |
| 64 | 30101-00281-00 | Bolt                      |  | 1 |  |  |
| 65 | 20022-00012-01 | Speed control assembly    |  | 1 |  |  |
| 66 | 34015-00010-00 | SPRING,THROTTLE<br>RETURN |  | 1 |  |  |
| 67 | 34026-00008-01 | ROD,GOVERNOR              |  | 1 |  |  |
| 68 | 34015-00020-01 | SPRING,CABLE RETURN       |  | 1 |  |  |
| 69 | 34025-00007-01 | HANDLE,SPEED CONTROL      |  | 1 |  |  |
| 70 |                |                           |  |   |  |  |
| 71 | 33247-00027-01 | Oil sensor                |  | 1 |  |  |
| 72 | 30101-00277-00 | Bolt                      |  | 2 |  |  |
| 73 | 34033-00017-00 | CAMSHAFT,ASSY             |  | 1 |  |  |
| 74 | 30141-00112-00 | BEARING                   |  | 1 |  |  |
| 75 | 34033-00001-00 | BALANCE SHAFT             |  | 1 |  |  |
| 76 | 20011-00041-00 | crankshaft                |  | 1 |  |  |
| 77 | 33048-00063-00 | GASKET,CRANKCASE<br>COVER |  | 1 |  |  |
| 78 | 34006-00001-00 | DOWEL PIN                 |  | 2 |  |  |

|    |                       |                         |  |          |  |  |
|----|-----------------------|-------------------------|--|----------|--|--|
| 79 | <b>30141-00112-00</b> | BEARING                 |  | <b>1</b> |  |  |
| 80 | <b>30141-00116-00</b> | BEARING                 |  | <b>1</b> |  |  |
| 81 | <b>34006-00001-00</b> | DOWEL PIN               |  | <b>2</b> |  |  |
| 82 | <b>20013-00004-01</b> | GOVERNOR GEAR KIT       |  | <b>1</b> |  |  |
| 83 | 33138-00017-01        | case cover              |  | <b>1</b> |  |  |
| 84 | <b>34021-00050-01</b> | wind scooper            |  | <b>1</b> |  |  |
| 85 | <b>30101-00280-00</b> | <b>Bolt</b>             |  | <b>1</b> |  |  |
| 86 | <b>30101-00281-00</b> | <b>Bolt</b>             |  | <b>1</b> |  |  |
| 87 | <b>33138-00017-01</b> | <b>Dustproof rubber</b> |  | <b>1</b> |  |  |
| 88 | <b>20009-00027-01</b> | <b>Charging coil</b>    |  | <b>1</b> |  |  |
| 89 | <b>33593-00007-00</b> | blanking plate          |  | <b>1</b> |  |  |
| 90 | <b>20149-00009-01</b> | start motor             |  | <b>1</b> |  |  |

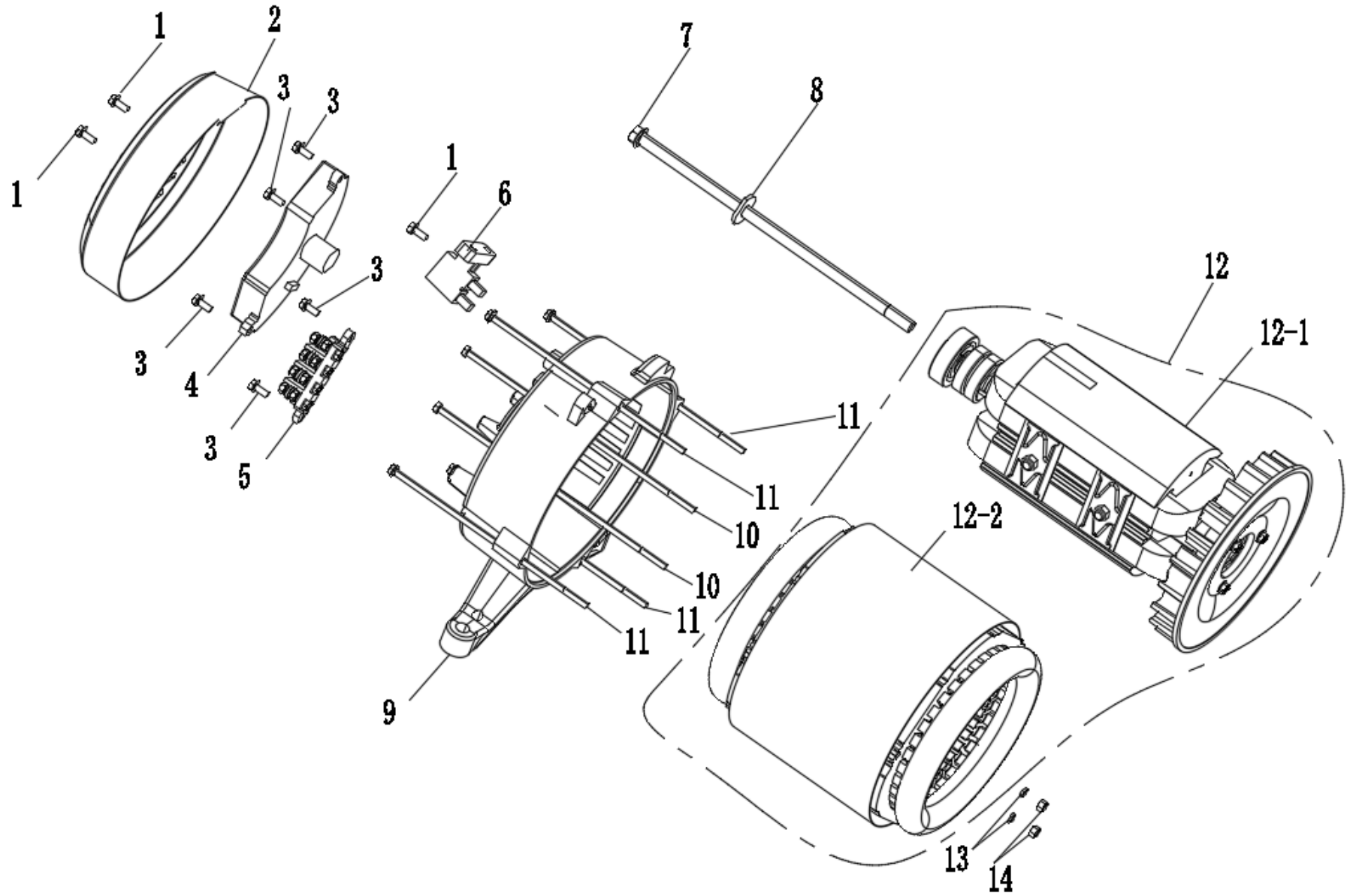




| NO. | Part NO.       | Description |                       |  | QTY |               |  |
|-----|----------------|-------------|-----------------------|--|-----|---------------|--|
|     |                | English     | Price (USD)           |  |     | N.W. (kg) /PC |  |
| 1   | 30136-00074-01 |             | gasket                |  |     | 2             |  |
| 2   | 30101-00405-01 |             | Bolt                  |  |     | 4             |  |
| 3   | 20090-00166-01 |             | Frame                 |  |     | 1             |  |
| 4   | 33141-00027-01 |             | wheel hub cover       |  |     | 2             |  |
| 5   | 20134-00021-01 |             | wheel assy            |  |     | 2             |  |
| 6   | 34031-00024-01 |             | axle                  |  |     | 2             |  |
| 7   | 30136-00086-01 |             | plain washer          |  |     | 2             |  |
| 8   | 34006-00020-01 |             | clip,dowel pin        |  |     | 2             |  |
| 9   | 34030-00034-01 |             | shock absorbing mount |  |     | 2             |  |
| 9-1 | 34030-00038-01 |             | shock absorbing mount |  |     | 1             |  |
| 9-2 | 34030-00043-01 |             | shock absorbing mount |  |     | 1             |  |
| 10  | 30125-00023-02 |             | flange nut            |  |     | 8             |  |
| 11  | 20196-00086-01 |             | Positive wire         |  |     | 1             |  |
| 12  | 20217-00039-00 |             | battery platen        |  |     | 1             |  |
| 13  | 30101-00281-00 |             | flange bolt           |  |     | 2             |  |
| 14  | 31002-00046-00 |             | battery               |  |     | 1             |  |
| 15  | 20196-00088-01 |             | Negative wire         |  |     | 1             |  |
| 16  | 34030-00009-01 |             | shock absorbing mount |  |     | 1             |  |
| 17  | 20196-00122-01 |             | ground wire           |  |     | 1             |  |
| 18  | 30101-00339-00 |             | flange bolt           |  |     | 1             |  |
| 19  | 33301-00010-01 |             | wave spring           |  |     | 1             |  |
| 20  | 30101-00339-00 |             | flange bolt           |  |     | 1             |  |
| 21  | 33126-00003-01 |             | Plug                  |  |     | 2             |  |
| 22  | 33580-00066-01 |             | handlebar dowel pin   |  |     | 2             |  |
| 23  | 20135-00431-01 |             | handlebar component   |  |     | 1             |  |
| 24  | 30125-00023-00 |             | flange nut            |  |     | 8             |  |
| 25  | 20014-00059-01 |             | frame support assy    |  |     | 1             |  |
| 26  | 30101-00355-00 |             | flange bolt           |  |     | 2             |  |
| 27  | 30101-00339-00 |             | flange bolt           |  |     | 1             |  |
| 28  | 34030-00079-01 |             | gasket                |  |     | 2             |  |
| 29  | 30101-00405-00 |             | flange bolt           |  |     | 2             |  |

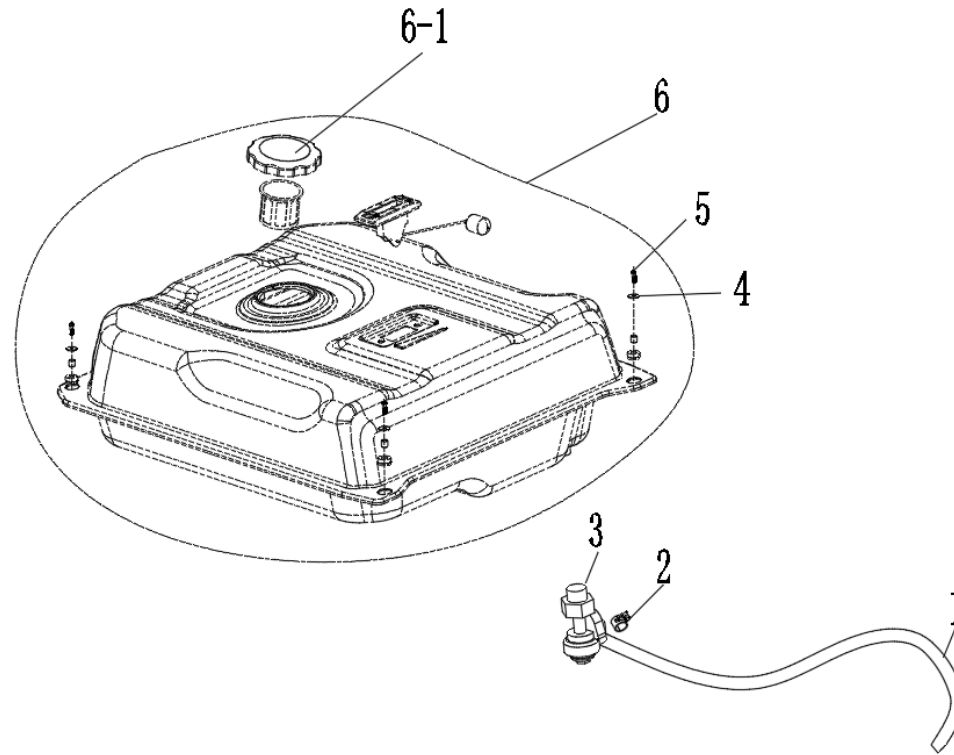
|           |                       |  |                       |  |  |          |  |
|-----------|-----------------------|--|-----------------------|--|--|----------|--|
| <b>30</b> | <b>33015-00011-01</b> |  | <b>handlebar grip</b> |  |  | <b>1</b> |  |
|-----------|-----------------------|--|-----------------------|--|--|----------|--|

E-03



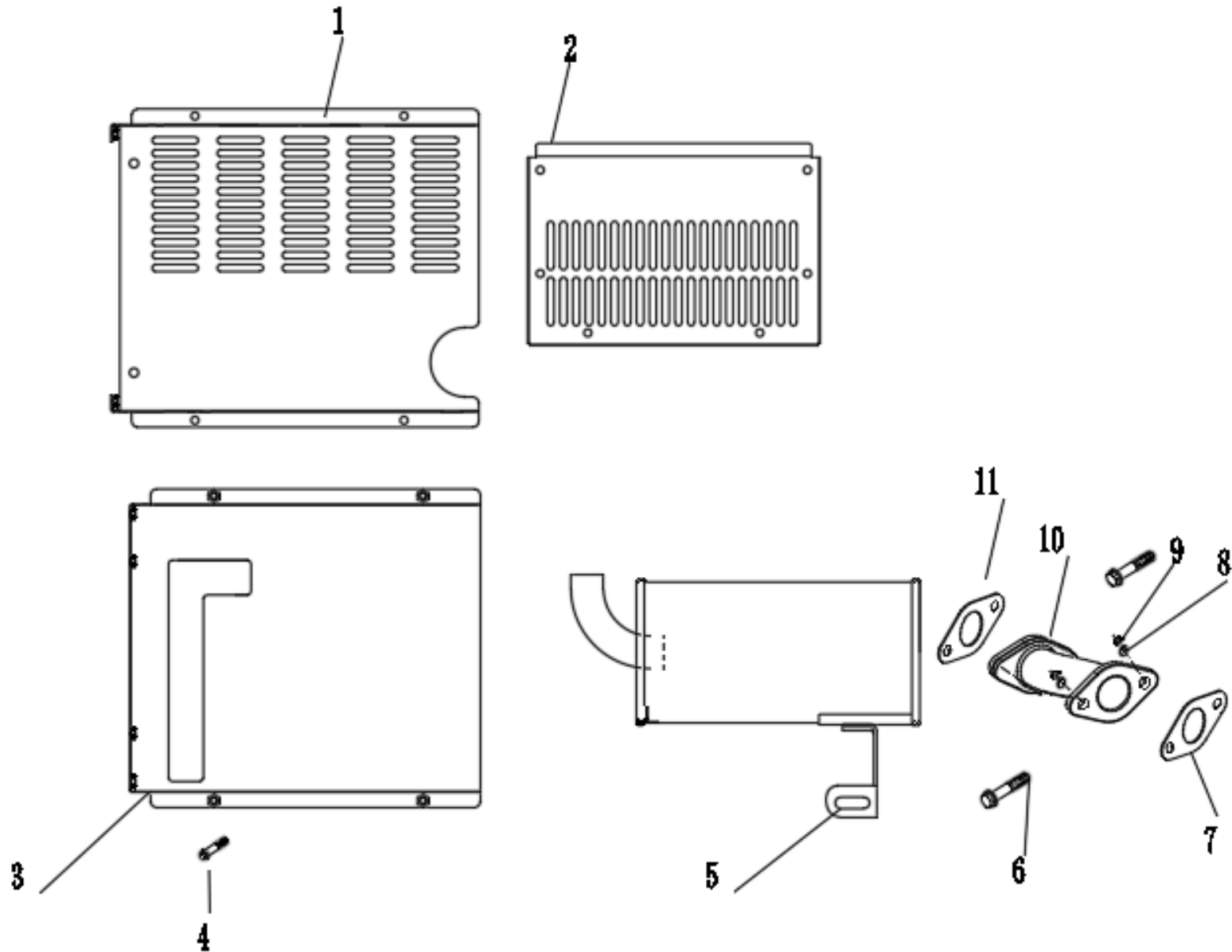
| NO.  | Part NO.       | Description |                     |             | QTY |               |
|------|----------------|-------------|---------------------|-------------|-----|---------------|
|      |                |             | English             | Price (USD) |     | N.W. (kg) /PC |
| 1    | 30101-00274-01 |             | Hexagon flange bolt |             | 2   |               |
| 2    | 33082-00156-00 |             | End cover           |             | 1   |               |
| 3    | 30101-00275-01 |             | Hexagon flange bolt |             | 5   |               |
| 4    | 20044-00015-01 |             | AVR                 |             | 1   |               |
| 5    | 20107-00018-00 |             | Wire line           |             | 1   |               |
| 6    | 20183-00015-00 |             | Carbon brush        |             | 1   |               |
| 7    | 30101-00106-01 |             | Hexagon flange bolt |             | 1   |               |
| 8    | 30136-00127-00 |             | Flat washer         |             | 1   |               |
| 9    | 33085-00058-00 |             | supporter           |             | 1   |               |
| 10   | 30101-00628-01 |             | Hexagon flange bolt |             | 2   |               |
| 11   | 30101-00082-01 |             | Hexagon flange bolt |             | 4   |               |
| 12   | 20149-00009-01 |             | Alternator assembly |             | 1   |               |
| 12-1 | 20046-06374-00 |             | rotor               |             | 1   |               |
| 12-2 | 20256-02221-00 |             | Stator              |             | 1   |               |
| 13   | 30139-00005-01 |             | spring washer       |             | 2   |               |
| 14   | 30128-00009-00 |             | Nylon nut           |             | 2   |               |

**E-04**



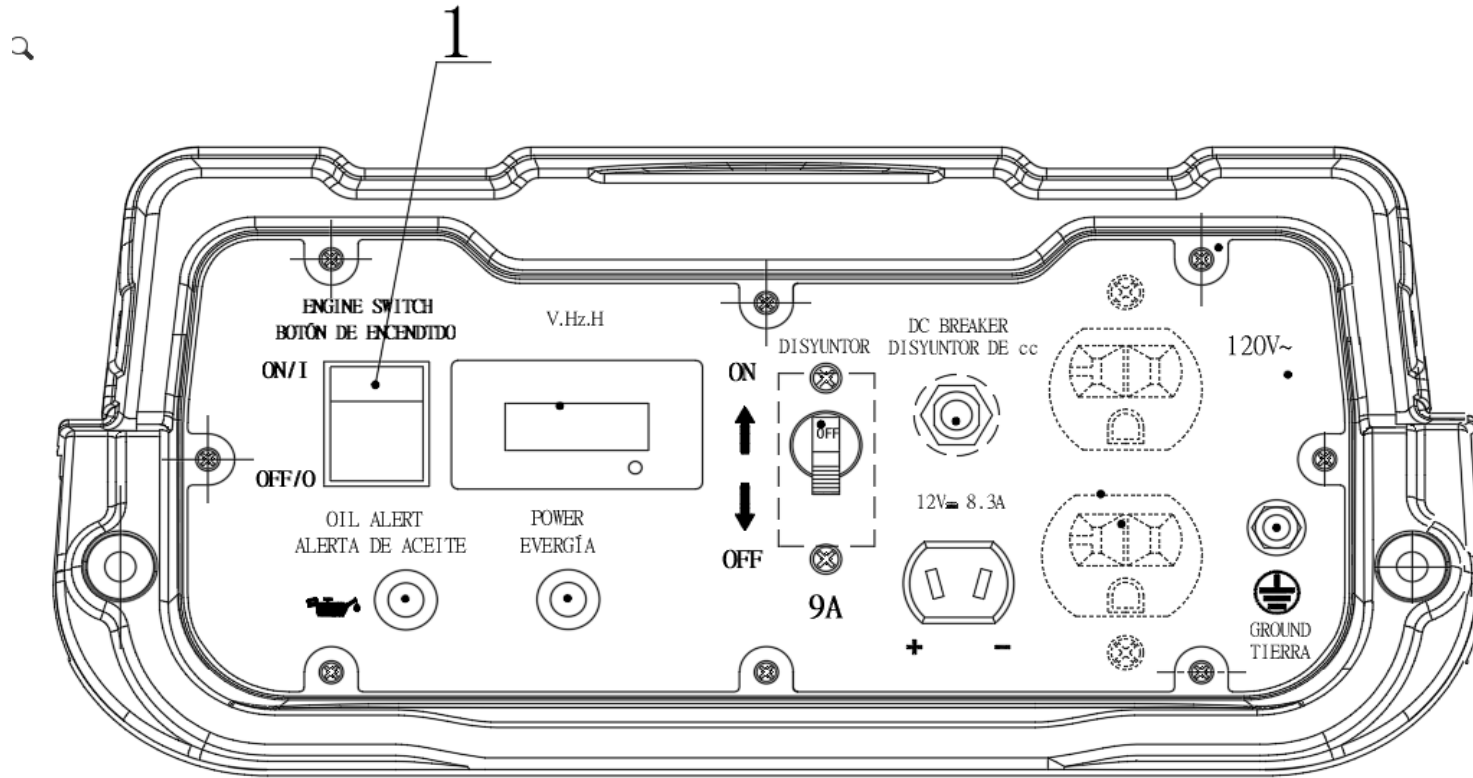
| NO. | Part NO.       | Description   |             |   | QTY          |               |  |
|-----|----------------|---------------|-------------|---|--------------|---------------|--|
|     |                | English       | Price (USD) |   | SC11000E-III | N.W. (kg) /PC |  |
| 1   | 34023-00004-01 | Fuel pipe     |             | 1 |              |               |  |
| 2   | 34024-00022-00 | clamp         |             | 1 |              |               |  |
| 3   | 20133-00002-00 | Fuel valve    |             | 1 |              |               |  |
| 4   | 30136-00074-01 | Flat washer   |             | 1 |              |               |  |
| 5   | 30101-00407-00 | bolt          |             | 1 |              |               |  |
| 6   | 20130-00123-01 | Fuel tank     |             |   |              |               |  |
| 6-1 | 20131-00014-00 | Fuel tank cap |             |   |              |               |  |

E-05



|  | Description | QTY |
|--|-------------|-----|
|--|-------------|-----|

| <b>NO.</b> | <b>Part NO.</b>       | <b>English</b>             | <b>Price (USD)</b> |          | <b>SC11000E-III</b> | <b>N.W. (kg) /PC</b> |
|------------|-----------------------|----------------------------|--------------------|----------|---------------------|----------------------|
| <b>1</b>   | <b>33014-00069-00</b> | <b>Muffler cover</b>       |                    | <b>1</b> |                     |                      |
| <b>2</b>   | <b>33014-00122-00</b> | <b>Side cover</b>          |                    | <b>1</b> |                     |                      |
| <b>3</b>   | <b>33014-00057-00</b> | <b>Inner cover</b>         |                    | <b>1</b> |                     |                      |
| <b>4</b>   | <b>30101-00070-00</b> | <b>Hexagon flange bolt</b> |                    | <b>9</b> |                     |                      |
| <b>5</b>   | 20202-00091-00        | <b>muffler</b>             |                    | <b>1</b> |                     |                      |
| <b>6</b>   | <b>30101-00367-01</b> | <b>Hexagon flange bolt</b> |                    | <b>2</b> |                     |                      |
| <b>7</b>   | <b>33048-00094-00</b> | <b>gasket</b>              |                    | <b>1</b> |                     |                      |
| <b>8</b>   | <b>30139-00036-01</b> | <b>Flat washer</b>         |                    | <b>1</b> |                     |                      |
| <b>9</b>   | <b>30101-00367-01</b> | <b>Hexagon flange nut</b>  |                    | <b>1</b> |                     |                      |
| <b>10</b>  | 33339-00823-00        | <b>Connecting pipe</b>     |                    | <b>1</b> |                     |                      |
| <b>11</b>  | <b>33048-00093-00</b> | <b>gasket</b>              |                    | <b>1</b> |                     |                      |



| NO. | Part NO.       | Description   |             |  | QTY          |               |
|-----|----------------|---------------|-------------|--|--------------|---------------|
|     |                | English       | Price (USD) |  | SC11000E-III | N.W. (kg) /PC |
| 1   | 20114-00618-01 | Control panel |             |  | 1            |               |