

1106308

KOINE 3.1 COAT 230V 50HZ

3238742_1106308_R00W - R00W (9/2/2022)



Access Platform Division

Via San Francesco d'Assisi, 8 - 46020 Pegognaga (Mantova) - ITALY Tel. +39 0376
554011 - Fax +39 0376 559855

www.imergroup.com

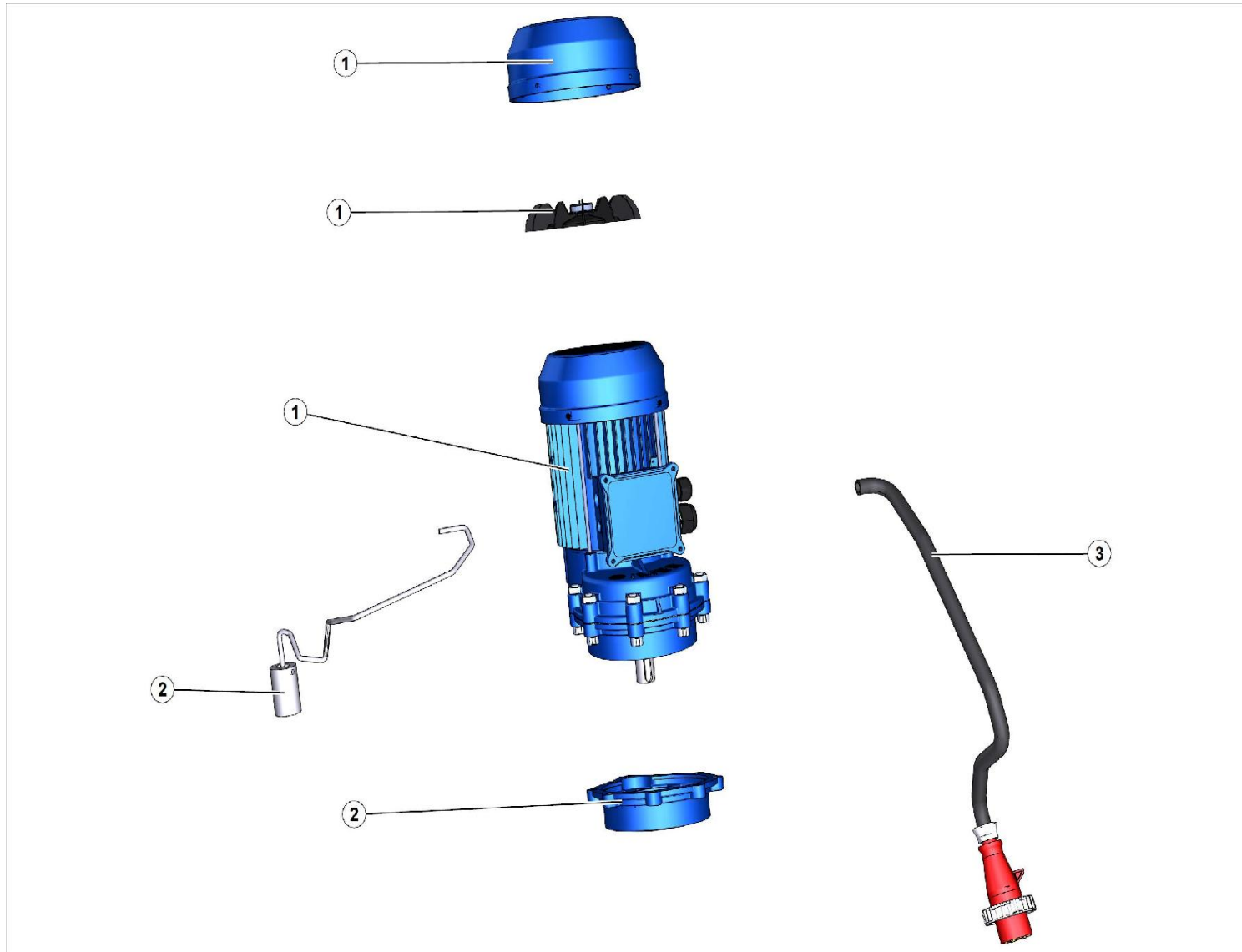
Building Equipment Division

Via della Meccanica, 39 (Zona Industriale Sentino) - 53040 Rapolano Terme
(Siena) - ITALY - Tel. +39 0577 97341 - Fax +39 0577 704077

www.imergroup.com

www.imerglobalcustomercare.com

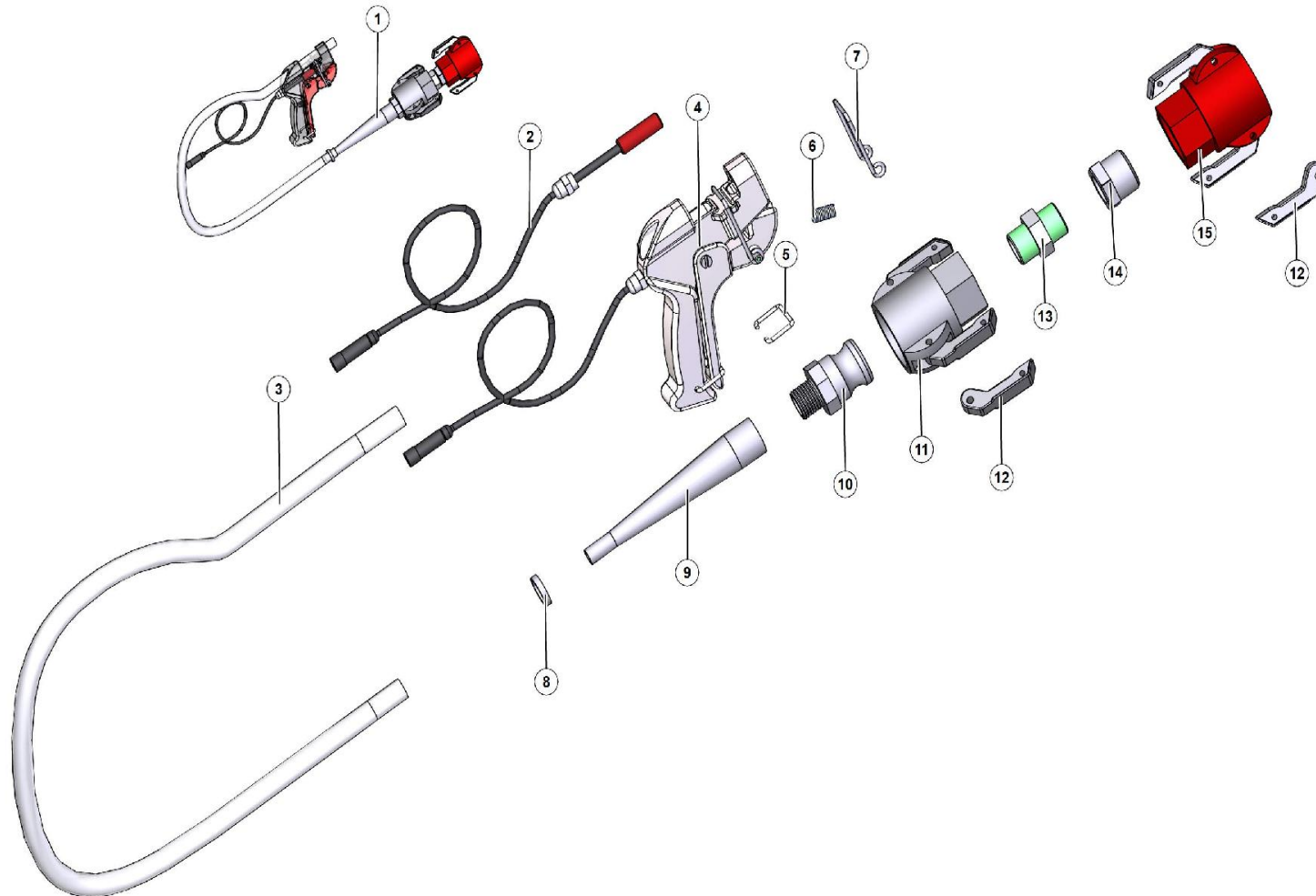
ELECTRIC GEARMOTOR





| N. | CODE | DESCRIPTION | UM | QTY |
|----|---------|------------------------|----|-----|
| 1 | 3228423 | GEARMOTOR | PZ | 2 |
| 2 | 3226120 | SENSOR | PZ | 1 |
| 3 | 3238745 | MOTOR CABLE | | 1 |
| 4 | 3228437 | COVER | | 1 |
| 5 | 3234265 | MOTOR FAN/C350 I POWER | PZ | 1 |
| 6 | 2291266 | FAN COVER | | 1 |

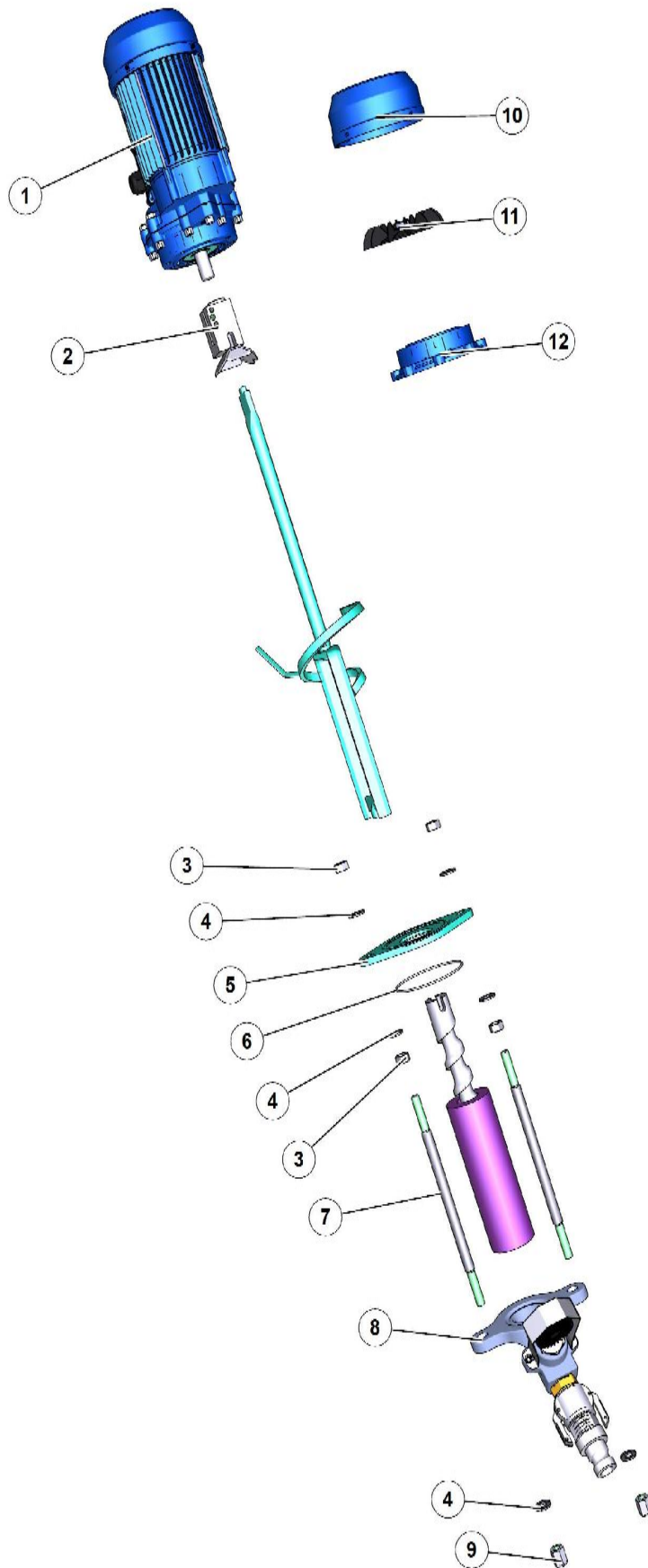
SPACER FILLER GUN DN25





| N. | CODE | DESCRIPTION | UM | QTY |
|----|---------|-------------------------|----|-----|
| 1 | 1108006 | | | 1 |
| 2 | 3229817 | SENSOR | | 1 |
| 3 | 3230154 | TUBE | | 1 |
| 4 | 3239086 | | | 1 |
| 5 | 3229812 | SPRING | | 1 |
| 6 | 3229816 | SPRING | | 1 |
| 7 | 3229813 | SPRING | | 1 |
| 8 | 3225073 | CLAMP | PZ | 1 |
| 9 | 3230121 | CONICAL FITTING | PZ | 1 |
| 10 | 3224328 | CAM COUPLING | PZ | 1 |
| 11 | 3224706 | CAM COUPLING/SCREW PUMP | PZ | 1 |
| 12 | 3224498 | HANDLE/MORTAR PUMP | PZ | 4 |
| 13 | 3225620 | NIPPLES | PZ | 1 |
| 14 | 3223608 | REDUCER | PZ | 1 |
| 15 | 3224701 | CAM COUPLING/SCREW PUMP | PZ | 1 |

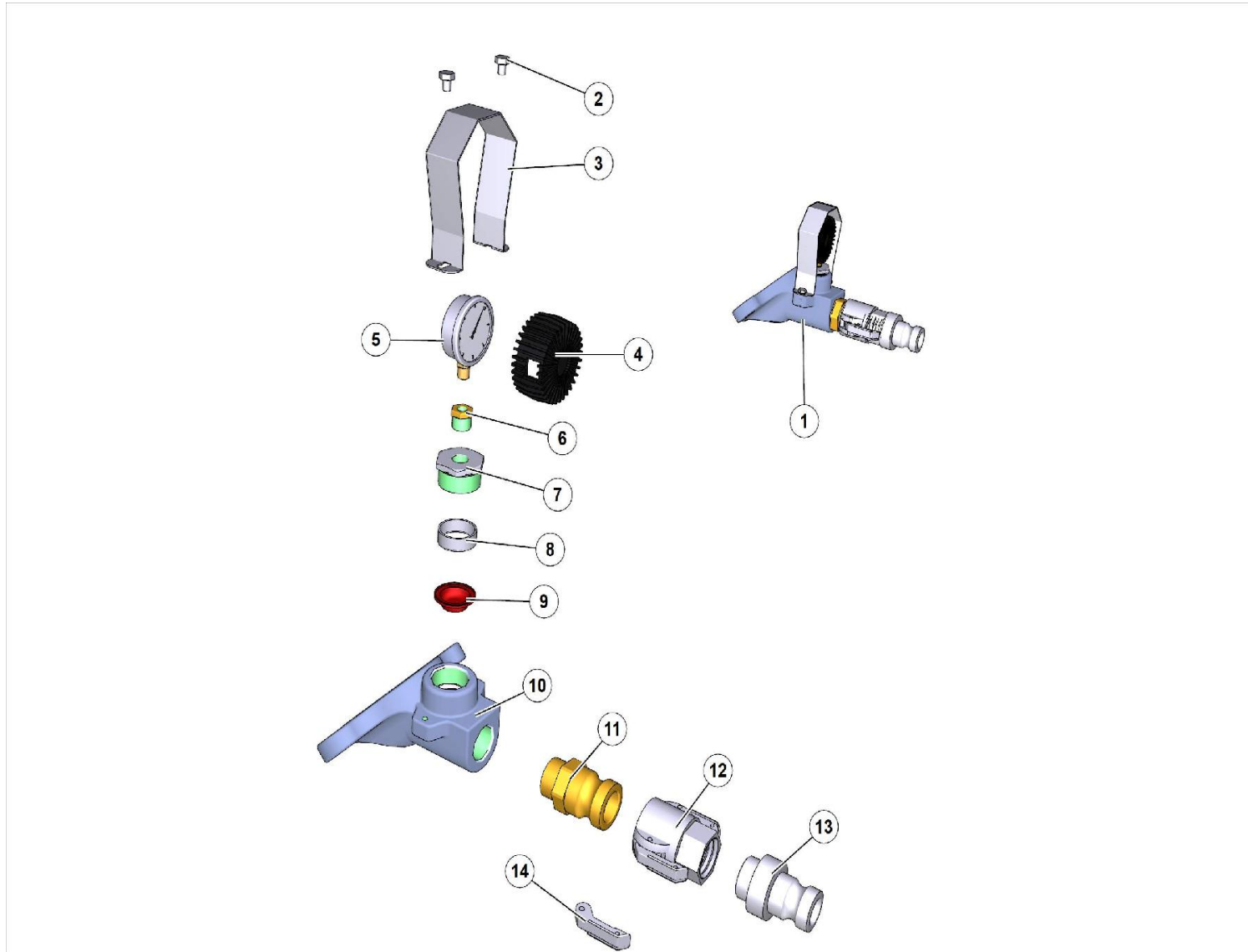
MIXING CHAMBER





| N. | CODE | DESCRIPTION | UM | QTY |
|----|---------|----------------------------------|----|-----|
| 1 | 3228423 | GEARMOTOR | PZ | 2 |
| 2 | 3223352 | TERMINAL | PZ | 1 |
| 3 | 2223806 | NUT | PZ | 4 |
| 4 | 2224640 | WASHER | PZ | 6 |
| 5 | 3238715 | SCREW FLANGE | | 1 |
| 6 | 3224356 | RING/MORTAR PUMP | PZ | 1 |
| 7 | 3238316 | TIE-ROD | | 2 |
| 8 | 3239023 | COLLECTOR GROUP OUTPUT KOINE 3.1 | | 1 |
| 9 | 3224395 | NUT M.16 | PZ | 2 |
| 10 | 2291266 | FAN COVER | | 1 |
| 11 | 3234265 | MOTOR FAN/C350 I POWER | PZ | 1 |
| 12 | 3228437 | COVER | | 1 |

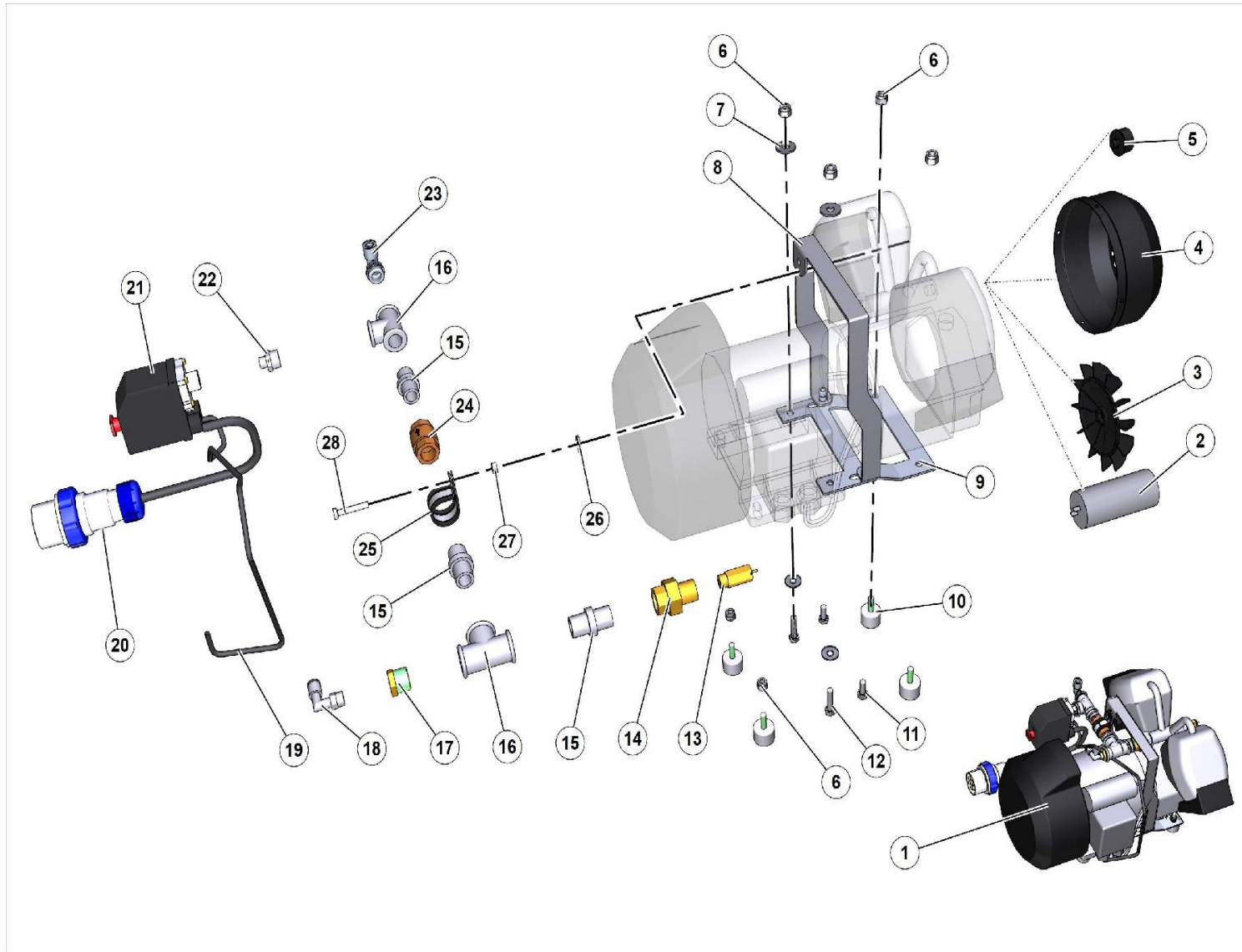
MANIFOLD





| N. | CODE | DESCRIPTION | UM | QTY |
|----|---------|-------------------------------------|----|-----|
| 1 | 3239023 | COLLECTOR GROUP OUTPUT KOINE 3.1 | | 1 |
| 2 | 2222015 | SCREW | PZ | 2 |
| 3 | 3223389 | GUARD | PZ | 1 |
| 4 | 3223690 | COVER | PZ | 1 |
| 5 | 3223689 | MANOMETER/SCREW PUMP | PZ | 1 |
| 6 | 3223609 | REDUCER | PZ | 1 |
| 7 | 3224173 | REDUCTION | PZ | 1 |
| 8 | 3223391 | SPACER | PZ | 1 |
| 9 | 3223392 | MANOMETER'S MEMBRANE/MORTAR PUMP | PZ | 1 |
| 10 | 3226705 | FLANGE | | 1 |
| 11 | 3223703 | 'CAM CONNECTION DN35 M-1 "1/4" G M' | PZ | 1 |
| 12 | 3223704 | CAMLOCK COUPLING DN35 | PZ | 1 |
| 13 | 3223390 | CAMLOCK COUPLING | PZ | 1 |
| 14 | 3224498 | HANDLE/MORTAR PUMP | PZ | 2 |

COMPRESSOR



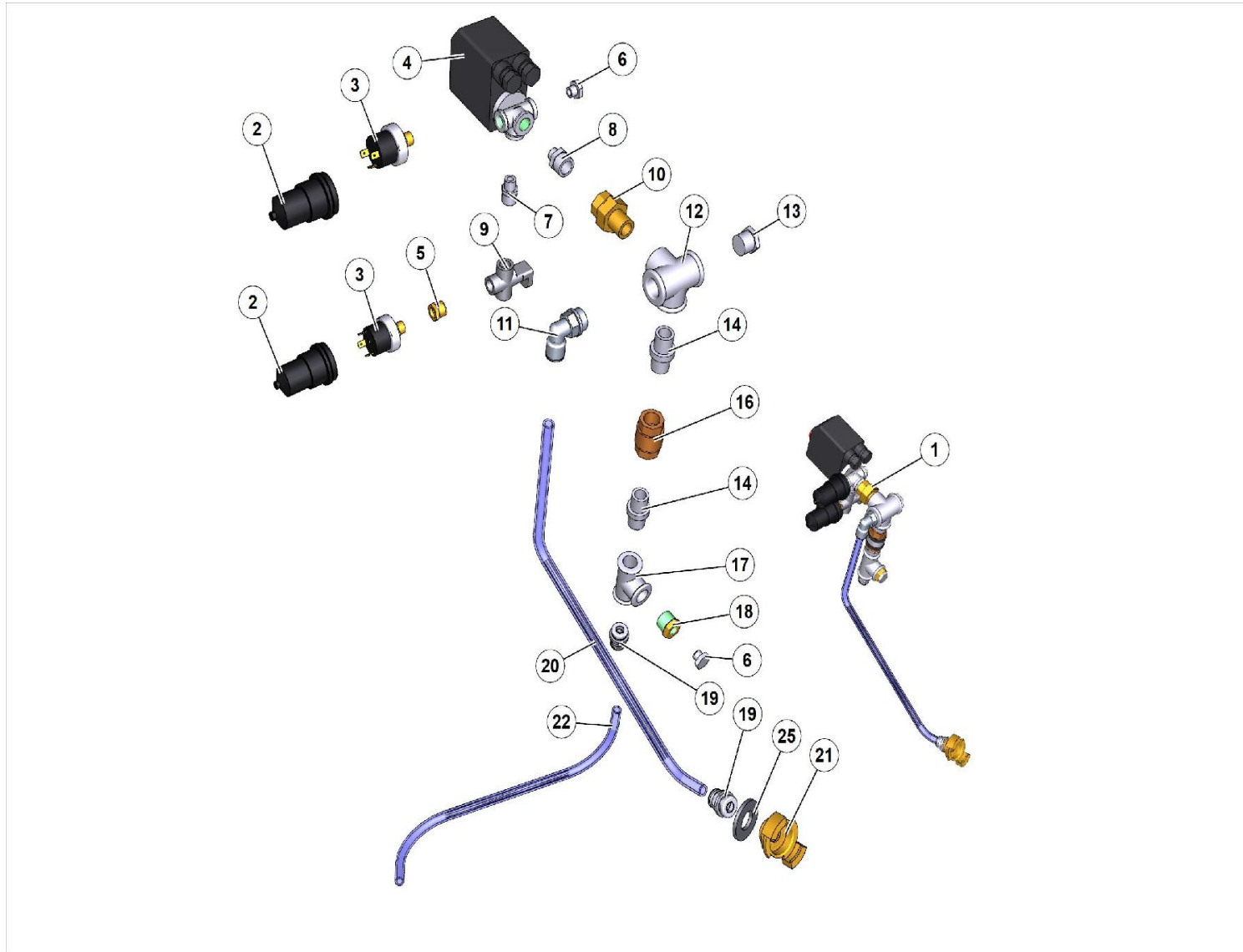


| N. | CODE | DESCRIPTION | UM | QTY |
|----|---------|---|----|-----|
| 1 | 1107690 | AIR PISTON COMPRESSOR VKM402 KOINE 3.1 | | 1 |
| 2 | 3239112 | | | 1 |
| 3 | 3239111 | | | 1 |
| 4 | 3234506 | COVER | | 1 |
| 5 | 3239110 | | | 1 |
| 6 | 2223923 | LOCK NUT | PZ | 4 |
| 7 | 2224204 | ROLLER/SAW | PZ | 4 |
| 8 | 3238737 | HANDLE | | 1 |
| 9 | 3238735 | SHEET | | 1 |
| 10 | 3224627 | SCHOCK ABORBER | | 4 |
| 11 | 2222060 | SCREW | PZ | 1 |
| 12 | 2222004 | SCREW/SAW | PZ | 1 |
| 13 | 3226885 | VALVE | PZ | 1 |
| 14 | 3223618 | PIPE UNION/SCREW PIPE | PZ | 1 |
| 15 | 3224362 | NIPPLE | PZ | 3 |
| 16 | 3224350 | CONNECTOR | PZ | 2 |
| 17 | 3223609 | REDUCER | PZ | 1 |
| 18 | 3223884 | 'AIR COLLECTION 90 ° INN.RAP.1 / 4 "NPT | PZ | 1 |
| 19 | 3228045 | ELECTRICAL CABLE H07RN-F 3X1.5 L.700 + | | 1 |
| 20 | 3239092 | CABLE | | 1 |
| 21 | 3234553 | PRESSURE SWITCH | PZ | 1 |



| N. | CODE | DESCRIPTION | UM | QTY |
|----|---------|-----------------------------------|----|-----|
| 22 | 3228442 | NIPPLES | | 1 |
| 23 | 3238683 | CONNECTOR | | 1 |
| 24 | 3224360 | VALVE/SCREW PUMP | PZ | 1 |
| 25 | 3224960 | CLAMP D1-B15-W1 DIAM. 30 HOLE D.6 | PZ | 1 |
| 26 | 2224531 | WASHER | PZ | 1 |
| 27 | 2223280 | NUT | PZ | 1 |
| 28 | 3209060 | SCREW | PZ | 1 |

AIR PLANT



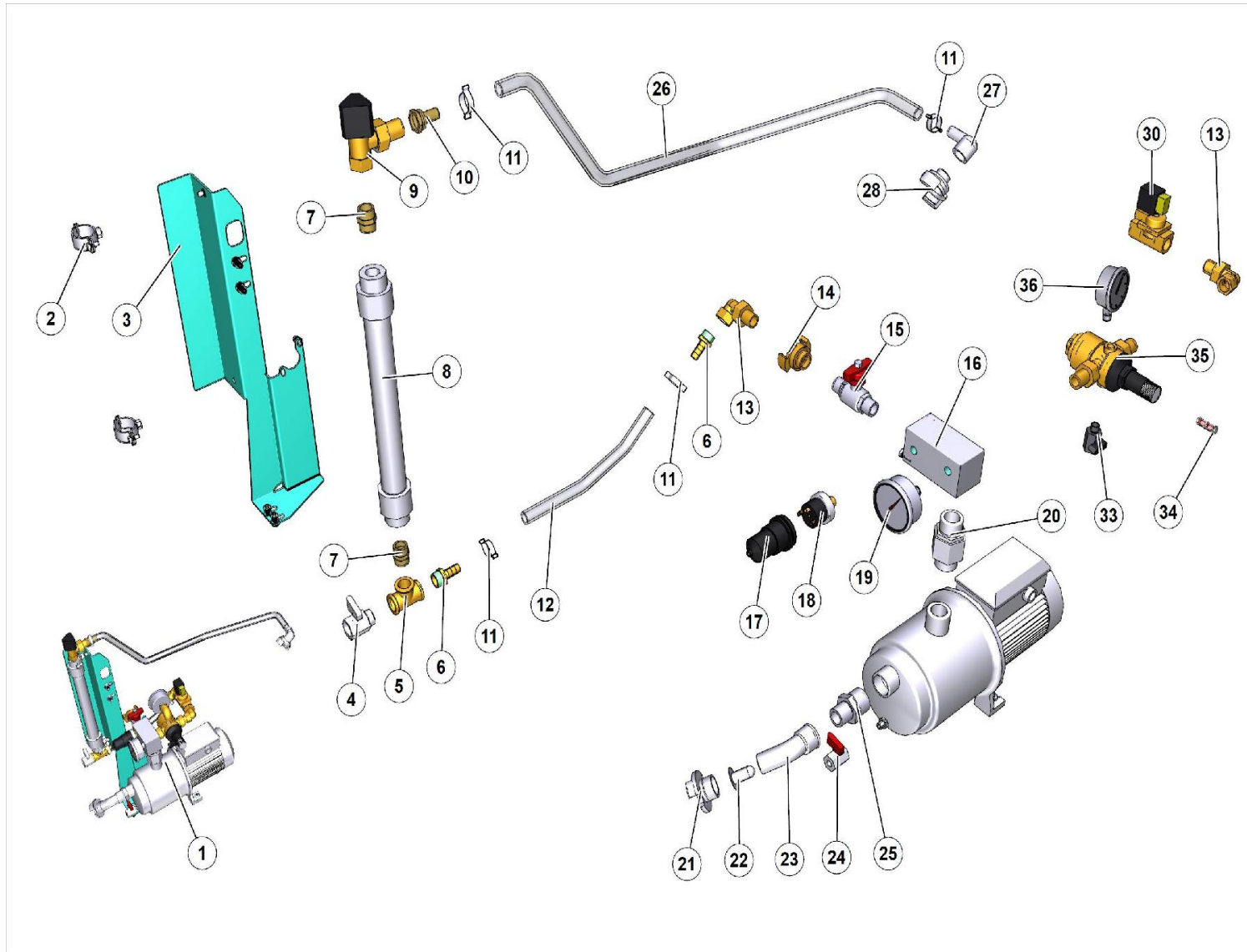


| N. | CODE | DESCRIPTION | UM | QTY |
|----|---------|---------------------------------|----|-----|
| 1 | 3238679 | AIR GROUP KOINE 3 | | 1 |
| 2 | 3226173 | RUBBER HOOD FOR PRESSURE SWITCH | PZ | 2 |
| 3 | 3223630 | WATER PRESSURE SWITCH | PZ | 2 |
| 4 | 3225843 | PRESSURE GAUGE | PZ | 1 |
| 5 | 3229717 | REDUCER | PZ | 1 |
| 6 | 3224967 | CAP | PZ | 2 |
| 7 | 3228353 | NIPPLES | PZ | 1 |
| 8 | 3224607 | REDUCED NIPPLE | PZ | 1 |
| 9 | 3238684 | BALL VALVE | | 1 |
| 10 | 3223618 | PIPE UNION/SCREW PIPE | PZ | 1 |
| 11 | 3238683 | CONNECTOR | | 1 |
| 12 | 3227964 | DISTRIBUTOR | PZ | 1 |
| 13 | 3223610 | CAP | PZ | 1 |
| 14 | 3224362 | NIPPLE | PZ | 2 |
| 16 | 3224360 | VALVE/SCREW PUMP | PZ | 1 |
| 17 | 3224350 | CONNECTOR | PZ | 1 |
| 18 | 3223609 | REDUCER | PZ | 1 |
| 19 | 3238327 | CONNECTOR | | 2 |
| 20 | 3238840 | HOSE RILSAN 12/10 L400 | | 1 |
| 21 | 3224382 | QUICK COUPLING | PZ | 1 |
| 22 | 3238840 | HOSE RILSAN 12/10 L400 | | 1 |



| N. | CODE | DESCRIPTION | UM | QTY |
|----|---------|-------------|----|-----|
| 25 | 2224640 | WASHER | PZ | 1 |

WATER PLANT



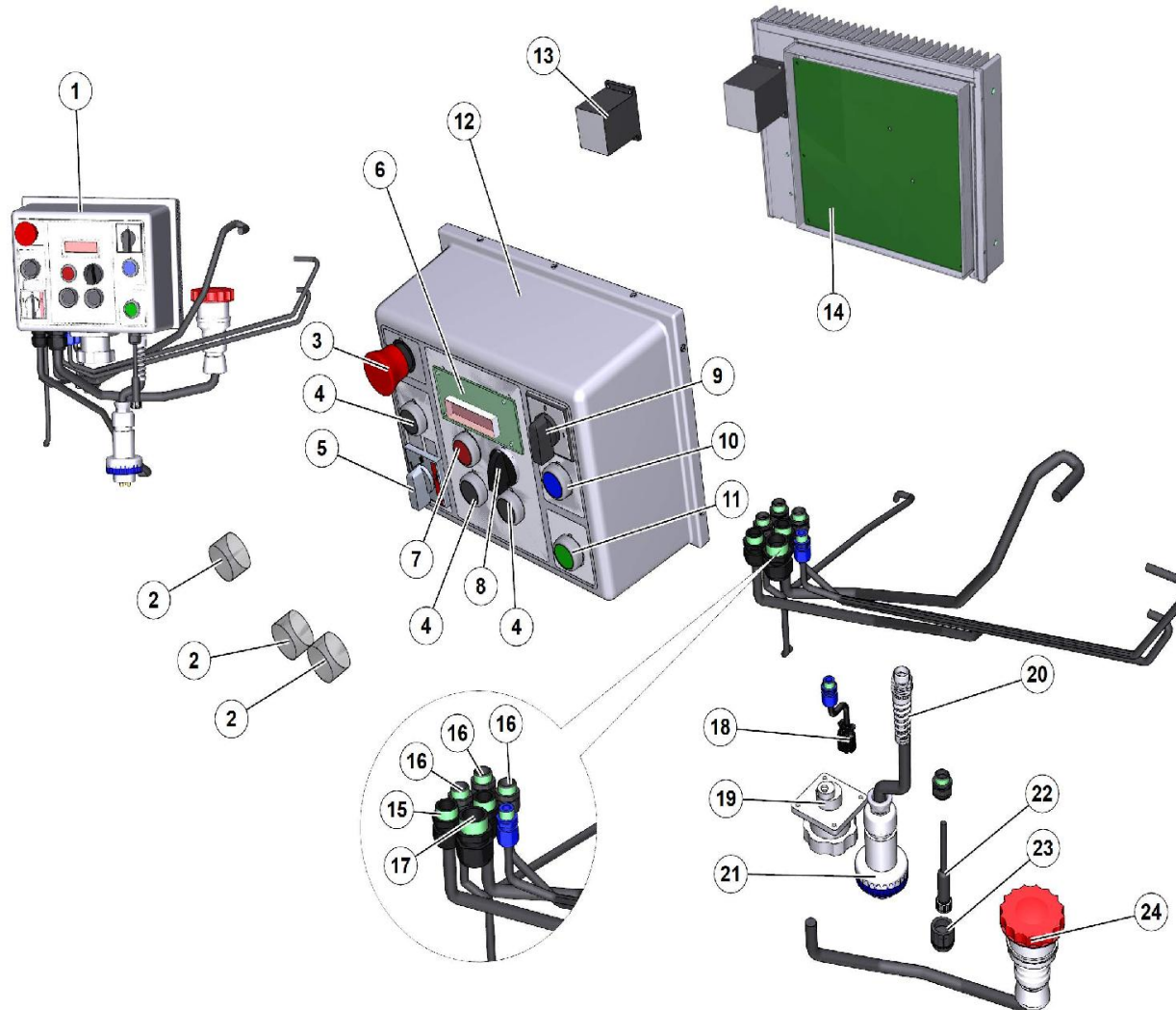


| N. | CODE | DESCRIPTION | UM | QTY |
|----|---------|-----------------------------------|----|-----|
| 1 | 3238685 | WATER SYSTEM KOINE 3.1 230V 50HZ | | 1 |
| 2 | 3224352 | 'COLLAR 1" ' | PZ | 2 |
| 3 | 3238688 | SHEET | | 1 |
| 4 | 3223622 | VALVE | PZ | 1 |
| 5 | 3223617 | CONNECTOR | PZ | 1 |
| 6 | 3223613 | HOSE CLAMP/SCREW PUMP | PZ | 2 |
| 7 | 3223607 | NIPPLE | PZ | 2 |
| 8 | 3223633 | FLOW METER | PZ | 1 |
| 9 | 3223627 | VALVE | PZ | 1 |
| 10 | 3224169 | HOSE FITTING | PZ | 1 |
| 11 | 3223638 | RING CLIP | PZ | 4 |
| 12 | 3238686 | WATER PIPE DIAM. 13 15BAR L 30 CM | | 1 |
| 13 | 3223637 | ELBOW FITTING | PZ | 2 |
| 14 | 3224382 | QUICK COUPLING | PZ | 1 |
| 15 | 3238333 | VALVE | | 1 |
| 16 | 3238687 | DISTRIBUTOR BLOCK | | 1 |
| 17 | 3226173 | RUBBER HOOD FOR PRESSURE SWITCH | PZ | 1 |
| 18 | 3223630 | WATER PRESSURE SWITCH | PZ | 1 |
| 19 | 3223625 | PRESSURE GAUGE/MORTAR PUMP | PZ | 2 |
| 20 | 3238346 | FITTING | | 1 |
| 21 | 3223636 | QUICK CONNECTOR | PZ | 1 |



| N. | CODE | DESCRIPTION | UM | QTY |
|----|---------|---------------------------|----|-----|
| 22 | 3223639 | WATER FILTER/MORTAR PUMP | PZ | 1 |
| 23 | 3224171 | 45° BEND | PZ | 1 |
| 24 | 3223620 | VALVE | PZ | 1 |
| 25 | 3224170 | NIPPLE | PZ | 1 |
| 26 | 3224579 | WATER HOSE | PZ | 1 |
| 27 | 3224580 | HOSE CONNECTOR | PZ | 1 |
| 28 | 3224203 | RAPID FIXATION/SCREW PUMP | PZ | 1 |
| 30 | 3228388 | SOLENOID VALVE | PZ | 1 |
| 33 | 3224206 | BALL VALVE | PZ | 1 |
| 34 | 3226729 | FILTER | PZ | 1 |
| 35 | 3223629 | PRESSURE REDUCTOR | PZ | 1 |
| 36 | 3223626 | PRESSURE GAUGE | PZ | 1 |

ELECTRIC PANEL



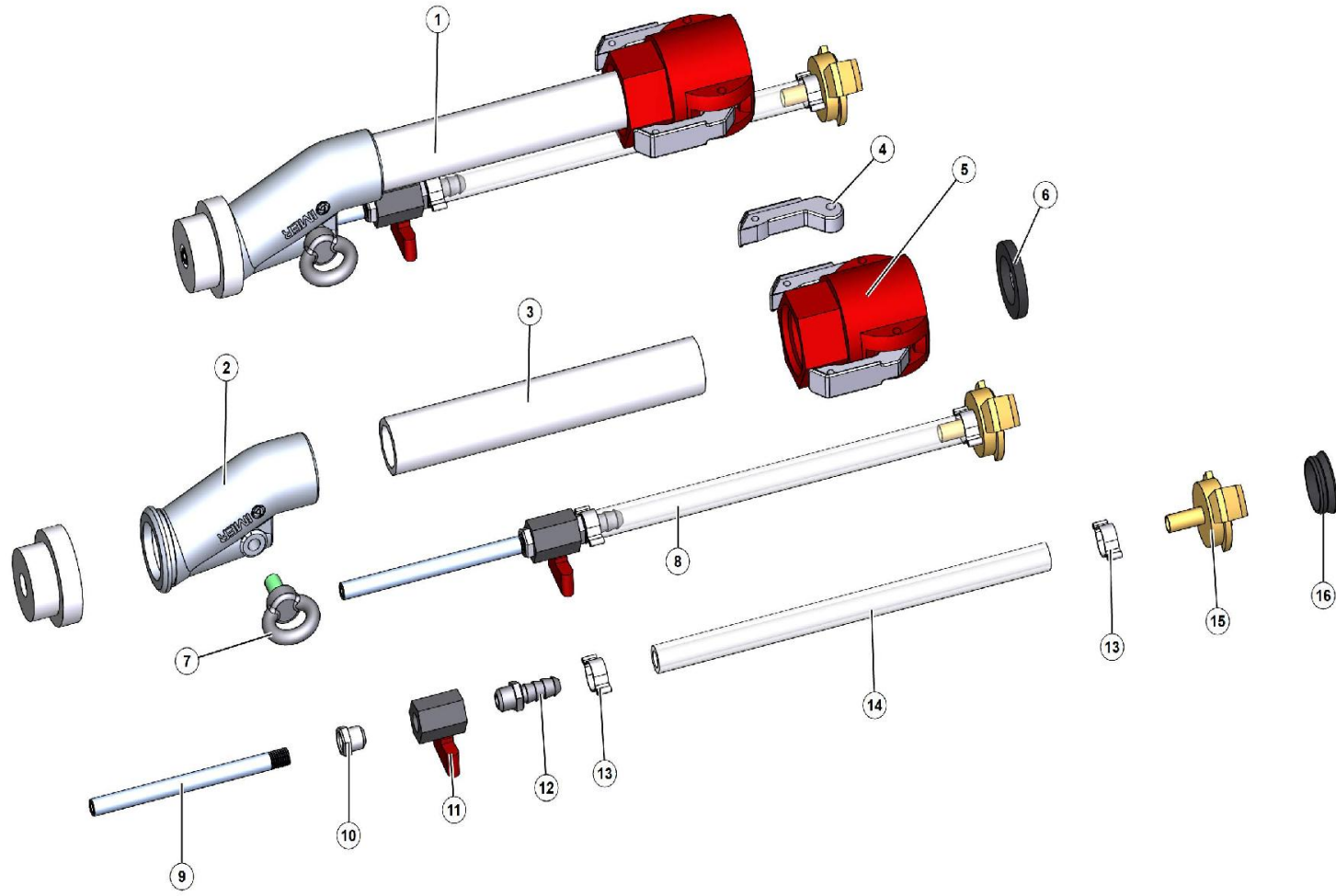


| N. | CODE | DESCRIPTION | UM | QTY |
|----|---------|--|----|-----|
| 1 | 3238740 | ELECTRIC PANEL COMPLETE KOINE 3.1 R2 | | 1 |
| 2 | 3226932 | PROTECTION | | 3 |
| 3 | 3225440 | EMERGENCY BUTTON/SCREW PUMP | PZ | 1 |
| 4 | 3225437 | PUSHBUTTON/SCREW PUMP | PZ | 3 |
| 5 | 3238756 | SWITCH 3 POLES-3 POSIT. GX1653U LOVATO | | 1 |
| 6 | 3229742 | INVERTER CARD DISPLAY 1002-02 | PZ | 1 |
| 7 | 3230449 | LAMP HOLDER ASSY | PZ | 1 |
| 8 | 3230318 | SWITCH/SCREW PUMP | PZ | 1 |
| 9 | 3237740 | THERMAL CUTOUT ACTUATOR | PZ | 1 |
| 10 | 3230448 | BLUE LAMP HOLDER | PZ | 1 |
| 11 | 3230356 | BLUE LAMP HOLDER | | 1 |
| 12 | 3238749 | CARDBOARD BOX KOINE 3.1 R2 | | 1 |
| 13 | 3230320 | Contactore | PZ | 1 |
| 14 | 3239014 | BOARD | | 1 |
| 15 | 3201442 | CABLE CLAMP/SAW | PZ | 1 |
| 16 | 3201217 | CABLE CLAMP | PZ | 4 |
| 17 | 3201503 | CABLE CLAMP | PZ | 1 |
| 18 | 3239015 | SUPERSEAL 4 PIN WITH PLUG | | 1 |
| 19 | 3230336 | COIL | | 1 |
| 20 | 3213852 | CABLE CLAMP | PZ | 1 |
| 21 | 3203504 | PIN | PZ | 1 |



| N. | CODE | DESCRIPTION | UM | QTY |
|----|---------|----------------------------------|----|-----|
| 22 | 3237745 | THERMAL CUTOUT ACTUATOR | | 1 |
| 23 | 3237744 | THERMAL CUTOUT ACTUATOR | | 1 |
| 24 | 3238755 | SOCKET 6P+T 16A IP67 6H 380-415V | | 1 |

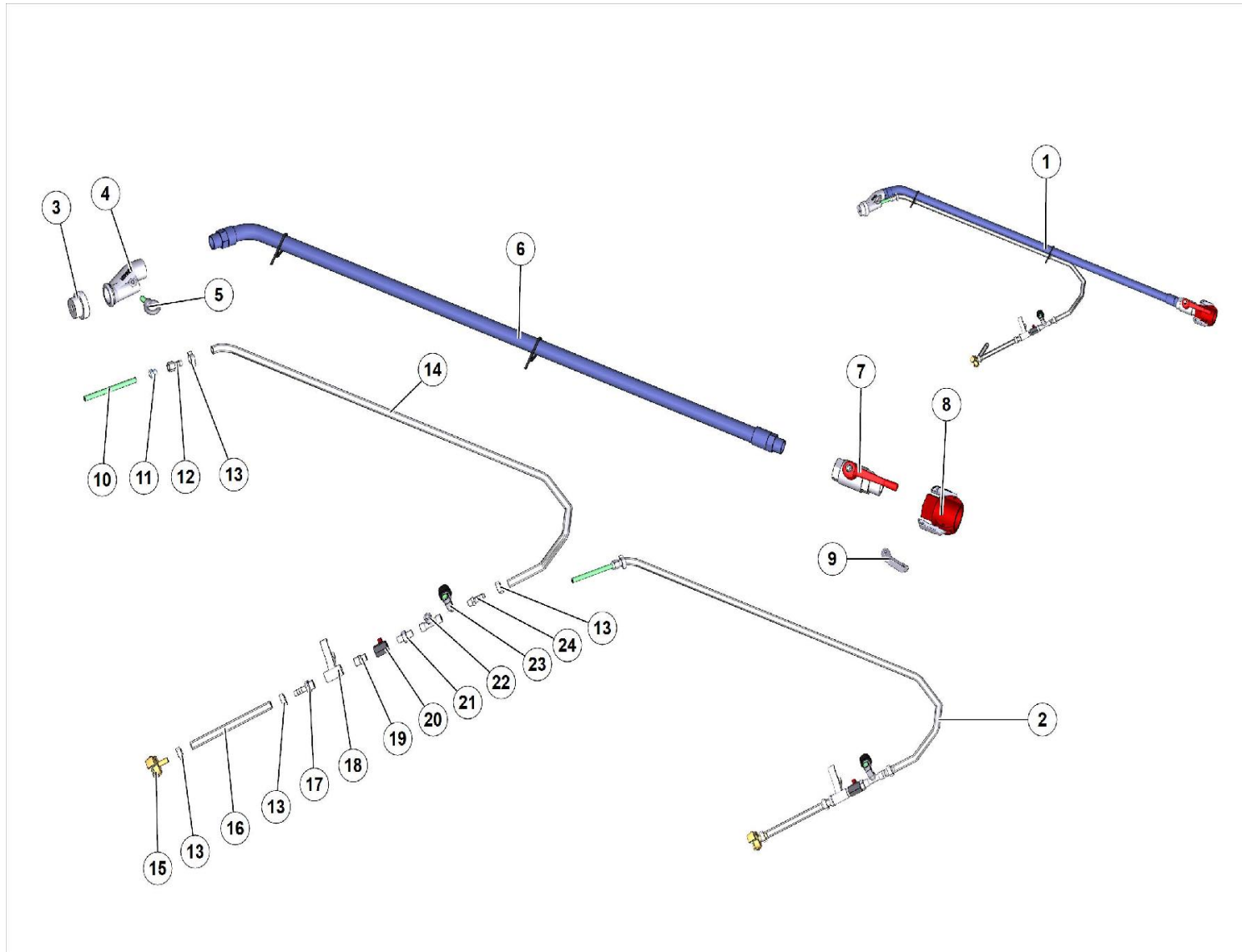
SPRAY GUN DN 25





| N. | CODE | DESCRIPTION | UM | QTY |
|----|---------|--------------------------------------|----|-----|
| 1 | 1107540 | Spray gun Koine | | 1 |
| 2 | 3223345 | SPRAYJET HEAD/SCREW PUMP | PZ | 1 |
| 3 | 3223348 | TUBE | PZ | 1 |
| 4 | 3224498 | HANDLE/MORTAR PUMP | PZ | 1 |
| 5 | 3224701 | CAM COUPLING/SCREW PUMP | PZ | 1 |
| 6 | 3224830 | GASKET/MORTAR PUMP | PZ | 1 |
| 7 | 3209356 | EYE-BOLT/MORTAR PUMP | PZ | 1 |
| 8 | 3225598 | AIR HOSE/SCREW PUMP | PZ | 1 |
| 9 | 3223350 | AIR PIPE L = 130 | PZ | 1 |
| 10 | 3227954 | REDUCER | PZ | 1 |
| 11 | 3227953 | VALVE/SCREW PUMP | PZ | 1 |
| 12 | 3227955 | 'HOSE HOLDER M.1 / 4 "X12 BRASS' | PZ | 1 |
| 13 | 3224823 | RING CLAMPS | PZ | 2 |
| 14 | 2292365 | LINE/SAW | M | 1 |
| 15 | 3224818 | QUICK COUPLING WITH RUBBER HOSE D.10 | PZ | 1 |
| 16 | 3223697 | GASKET/MORTAR PUMP | PZ | 1 |

SPRAY GUN DN25



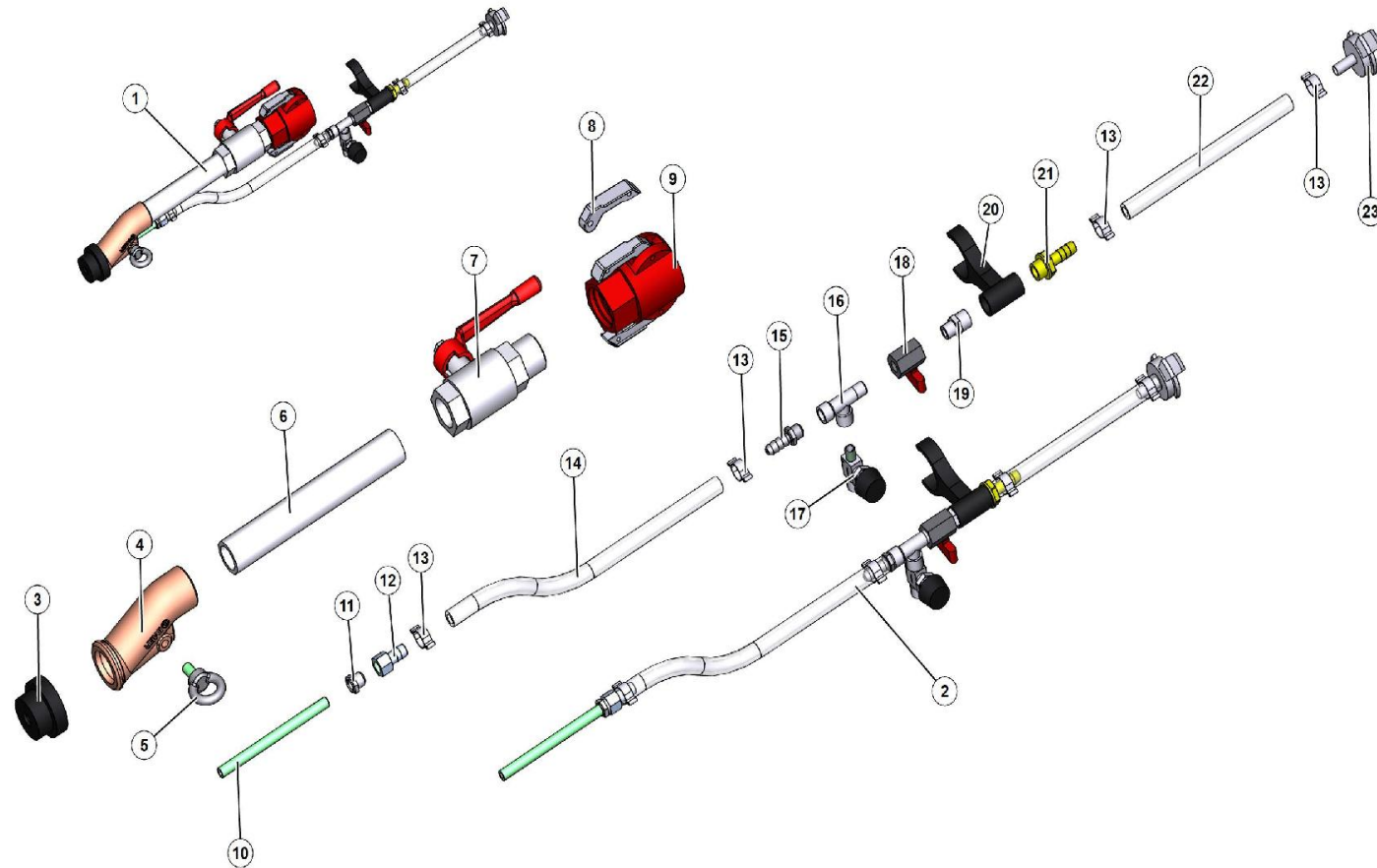


| N. | CODE | DESCRIPTION | UM | QTY |
|----|---------|--------------------------------------|----|-----|
| 1 | 1107549 | Fire-proof spray gun | | 1 |
| 2 | 3226421 | AIR HOSE | | 1 |
| 3 | 1107553 | 10 pces deflectors kit d. 14 | | 1 |
| 4 | 3223345 | SPRAYJET HEAD/SCREW PUMP | PZ | 1 |
| 5 | 3209356 | EYE-BOLT/MORTAR PUMP | PZ | 1 |
| 6 | 3229626 | EXTENSION | PZ | 1 |
| 7 | 3225833 | VALVE/MORTAR PUMP | PZ | 1 |
| 8 | 3224701 | CAM COUPLING/SCREW PUMP | PZ | 1 |
| 9 | 3224498 | HANDLE/MORTAR PUMP | PZ | 2 |
| 10 | 3223350 | AIR PIPE L = 130 | PZ | 1 |
| 11 | 3227954 | REDUCER | PZ | 1 |
| 12 | 3228674 | RUBBER HOLDER | PZ | 1 |
| 13 | 3224823 | RING CLAMPS | PZ | 4 |
| 14 | 2292365 | LINE/SAW | M | 1 |
| 15 | 3224818 | QUICK COUPLING WITH RUBBER HOSE D.10 | PZ | 1 |
| 16 | 2292365 | LINE/SAW | M | 1 |
| 17 | 3228354 | 'HOSE HOLDER M.3 / 8 "X12 BRASS' | PZ | 1 |
| 18 | 3223344 | 'RING FITTING WITH THREAD 3/8 "F.' | PZ | 1 |
| 19 | 3228353 | NIPPLES | PZ | 1 |
| 20 | 3227953 | VALVE/SCREW PUMP | PZ | 1 |
| 21 | 3225186 | NIPPLES | | 1 |



| N. | CODE | DESCRIPTION | UM | QTY |
|----|---------|----------------------------------|----|-----|
| 22 | 3224968 | COUPLING | PZ | 1 |
| 23 | 3224496 | VALVE/SCREW PUMP | PZ | 1 |
| 24 | 3227955 | 'HOSE HOLDER M.1 / 4 "X12 BRASS' | PZ | 1 |

SPRAY GUN WITH NO-SPREADING VALVE DN25



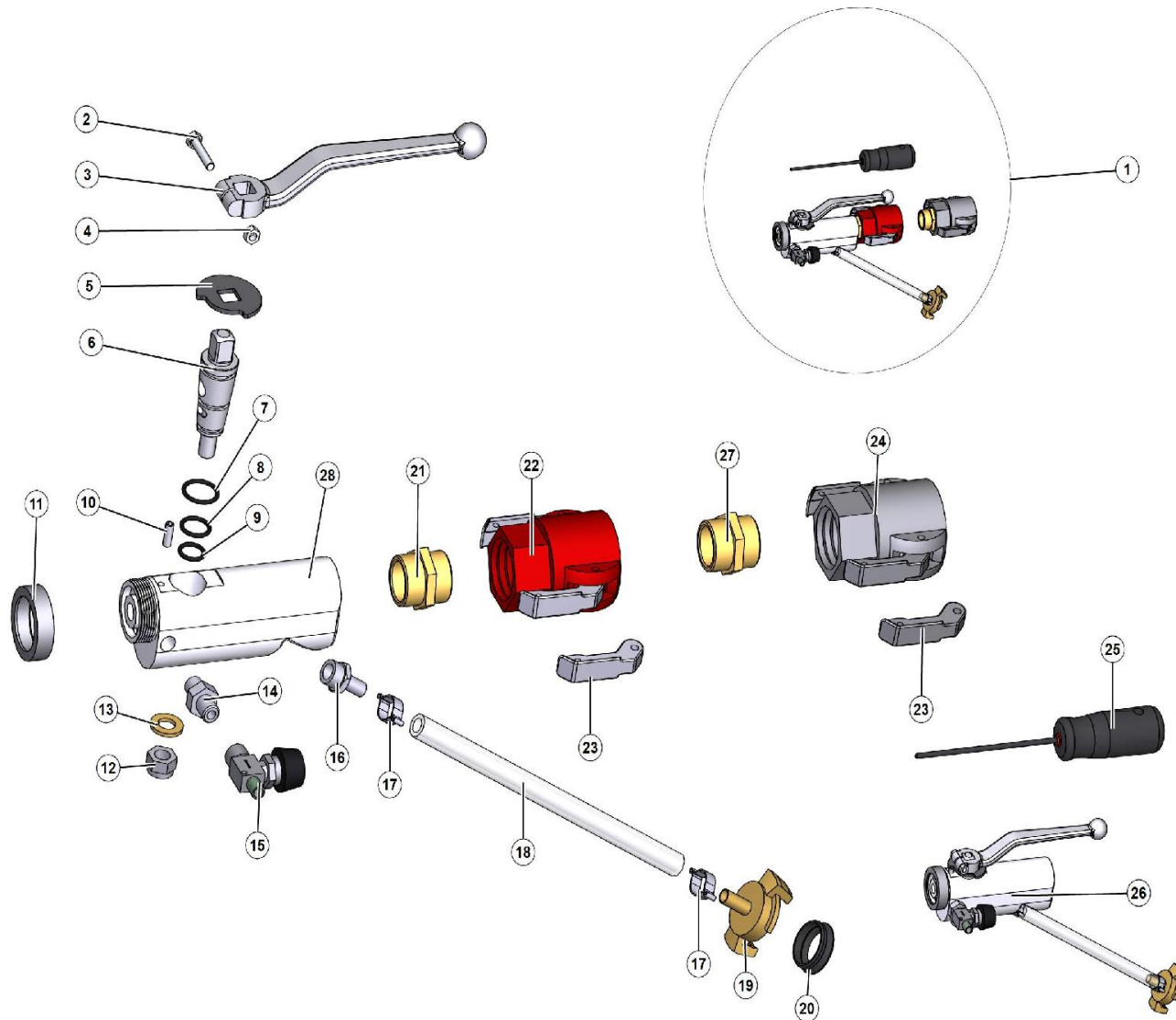


| N. | CODE | DESCRIPTION | UM | QTY |
|----|---------|------------------------------------|----|-----|
| 1 | 1107568 | SPRAY GUN PRESTIGE/SILENT | | 1 |
| 2 | 3225832 | AIR HOSE/MORTAR PUMP | PZ | 1 |
| 3 | 1107553 | 10 pces deflectors kit d. 14 | | 1 |
| 4 | 3223345 | SPRAYJET HEAD/SCREW PUMP | PZ | 1 |
| 5 | 3209356 | EYE-BOLT/MORTAR PUMP | PZ | 1 |
| 6 | 3223348 | TUBE | PZ | 1 |
| 7 | 3225833 | VALVE/MORTAR PUMP | PZ | 1 |
| 8 | 3224498 | HANDLE/MORTAR PUMP | PZ | 2 |
| 9 | 3224701 | CAM COUPLING/SCREW PUMP | PZ | 1 |
| 10 | 3223350 | AIR PIPE L = 130 | PZ | 1 |
| 11 | 3227954 | REDUCER | PZ | 1 |
| 12 | 3228674 | RUBBER HOLDER | PZ | 1 |
| 13 | 3224823 | RING CLAMPS | PZ | 4 |
| 14 | 2292365 | LINE/SAW | M | 1 |
| 15 | 3227955 | 'HOSE HOLDER M.1 / 4 "X12 BRASS' | PZ | 1 |
| 16 | 3226797 | FITTING | | 1 |
| 17 | 3224496 | VALVE/SCREW PUMP | PZ | 1 |
| 18 | 3227953 | VALVE/SCREW PUMP | PZ | 1 |
| 19 | 3228353 | NIPPLES | PZ | 1 |
| 20 | 3223344 | 'RING FITTING WITH THREAD 3/8 "F.' | PZ | 1 |
| 21 | 3228354 | 'HOSE HOLDER M.3 / 8 "X12 BRASS' | PZ | 1 |



| N. | CODE | DESCRIPTION | UM | QTY |
|----|---------|--------------------------------------|----|-----|
| 22 | 2292365 | LINE/SAW | M | 1 |
| 23 | 3224818 | QUICK COUPLING WITH RUBBER HOSE D.10 | PZ | 1 |

SPRAY GUN FINISHING COAT



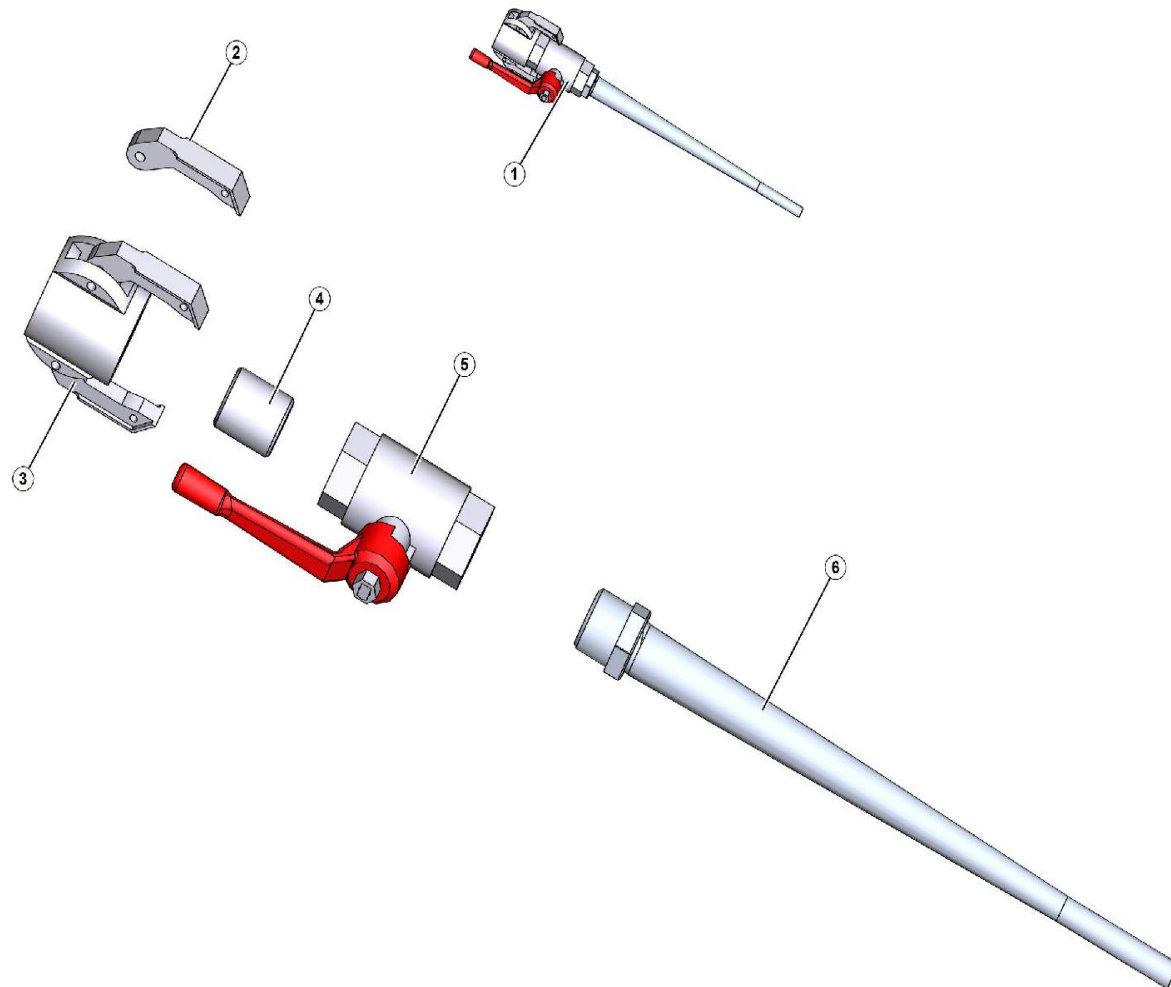


| N. | CODE | DESCRIPTION | UM | QTY |
|----|---------|--------------------------------------|----|-----|
| 1 | 1107011 | Spray gun Small 50 | | 1 |
| 2 | 2222022 | SCREW | PZ | 1 |
| 3 | 3223918 | HANDLE | PZ | 1 |
| 4 | 2223280 | NUT | PZ | 1 |
| 5 | 3224280 | WASHER | | 1 |
| 6 | 3224281 | CONE | | 1 |
| 7 | 3239003 | STOP RING | | 1 |
| 8 | 2227067 | STOP RING | PZ | 1 |
| 9 | 3239002 | STOP RING | | 1 |
| 10 | 3207673 | GRUB SCREW | PZ | 1 |
| 11 | 3224277 | RING/SCREW PUMP | PZ | 1 |
| 12 | 2223921 | NUT | PZ | 1 |
| 13 | 2224380 | WASHER/SAW | PZ | 1 |
| 14 | 3225186 | NIPPLES | | 1 |
| 15 | 3224496 | VALVE/SCREW PUMP | PZ | 1 |
| 16 | 3224817 | 'HOSE HOLDER M. 3/8 "X10 BRASS' | | 1 |
| 17 | 3224823 | RING CLAMPS | PZ | 2 |
| 18 | 2292365 | LINE/SAW | M | 1 |
| 19 | 3224818 | QUICK COUPLING WITH RUBBER HOSE D.10 | PZ | 1 |
| 20 | 3223697 | GASKET/MORTAR PUMP | PZ | 1 |
| 21 | 3224956 | NIPPLES/SCREW PUMP | PZ | 1 |



| N. | CODE | DESCRIPTION | UM | QTY |
|----|---------|------------------------------|----|-----|
| 22 | 3224701 | CAM COUPLING/SCREW PUMP | PZ | 1 |
| 23 | 3224498 | HANDLE/MORTAR PUMP | PZ | 2 |
| 24 | 3224706 | CAM COUPLING/SCREW PUMP | PZ | 1 |
| 25 | 3223694 | NOZZLE CLEANER/SCREW PUMP | PZ | 1 |
| 26 | 3224301 | SPRAY JET | PZ | 1 |
| 27 | 3224707 | REDUCTION NIPPLES/SCREW PUMP | PZ | 1 |
| 28 | 3224276 | SMALL50 SPRAY GUN BODY | PZ | 1 |

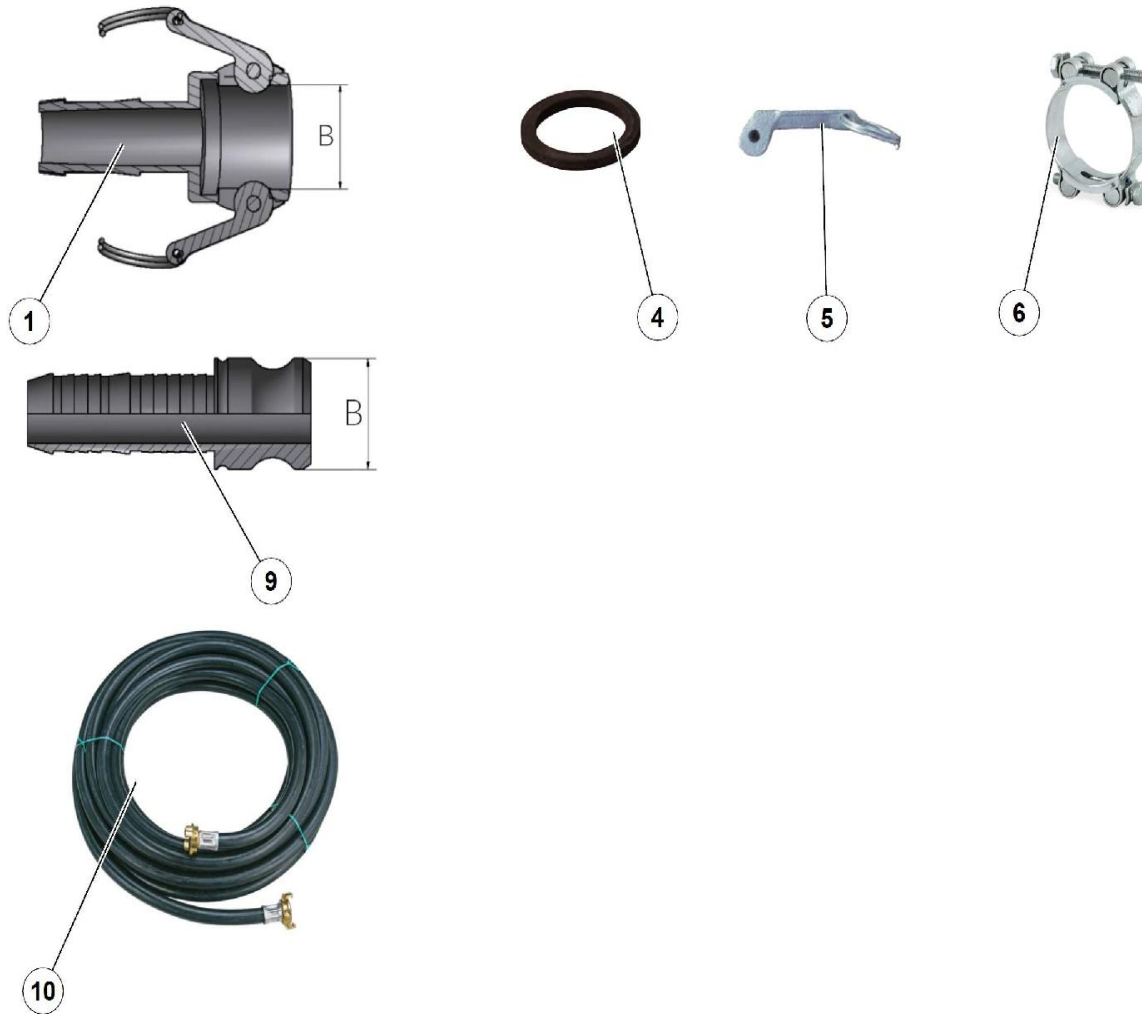
CONICAL TUBE GUN FOR SPACING DN 25





| N. | CODE | DESCRIPTION | UM | QTY |
|----|---------|--------------------------------------|----|-----|
| 1 | 1107499 | Spray gun for spacing - hose diam 25 | | 1 |
| 2 | 3224498 | HANDLE/MORTAR PUMP | PZ | 2 |
| 3 | 3224709 | CAM COUPLING/SCREW PUMP | PZ | 1 |
| 4 | 3224703 | BRANCH | PZ | 1 |
| 5 | 3223865 | BALL VALVE | PZ | 1 |
| 6 | 3235933 | CONICAL FITTING GUN FOR ESCAPES | PZ | 1 |

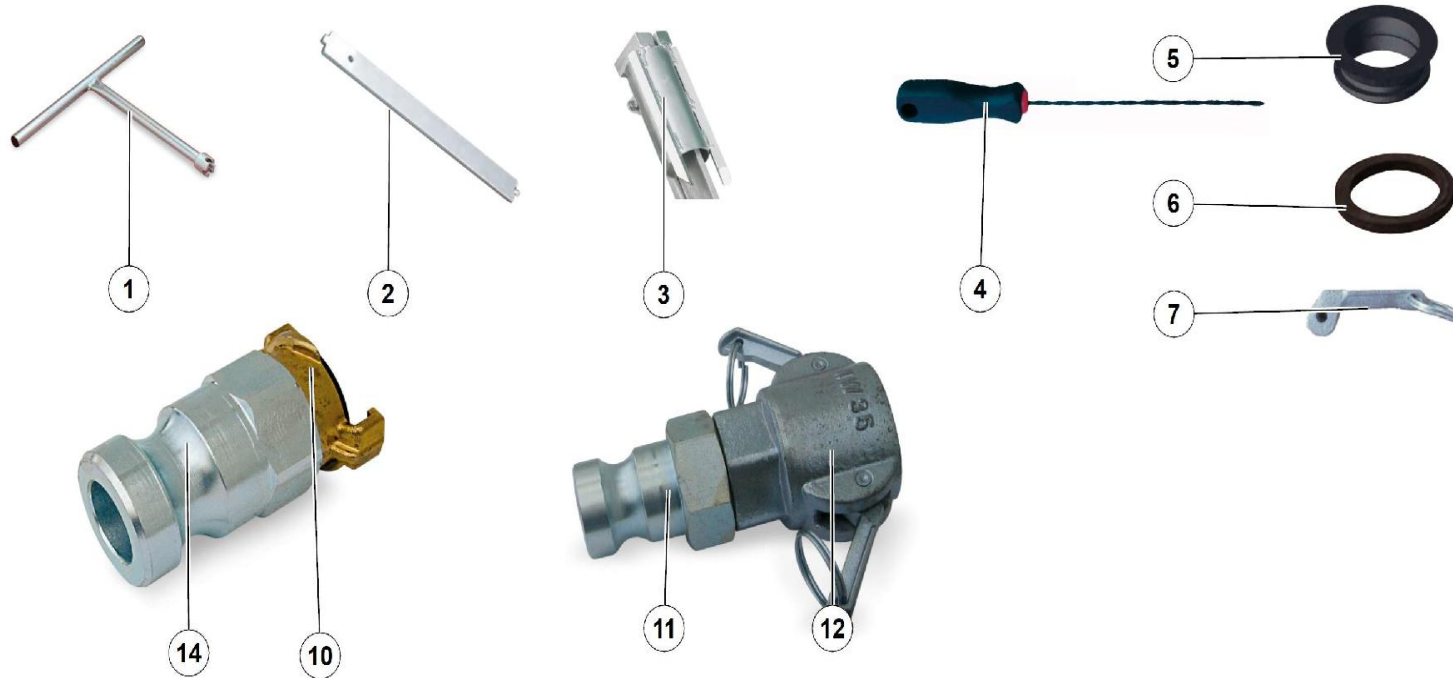
HOSES AND COUPLINGS





| N. | CODE | DESCRIPTION | UM | QTY |
|----|---------|--------------------------|----|-----|
| 1 | 3225934 | CAMLOCK COUPLING DN 27 F | PZ | 1 |
| 4 | 3224830 | GASKET/MORTAR PUMP | PZ | 1 |
| 5 | 3224498 | HANDLE/MORTAR PUMP | PZ | 1 |
| 6 | 3225943 | HOSE CLAMP/SCREW PUMP | PZ | 1 |
| 9 | 3225933 | CAMLOCK COUPLING | PZ | 1 |
| 10 | 3224546 | WATER HOSE | PZ | 1 |

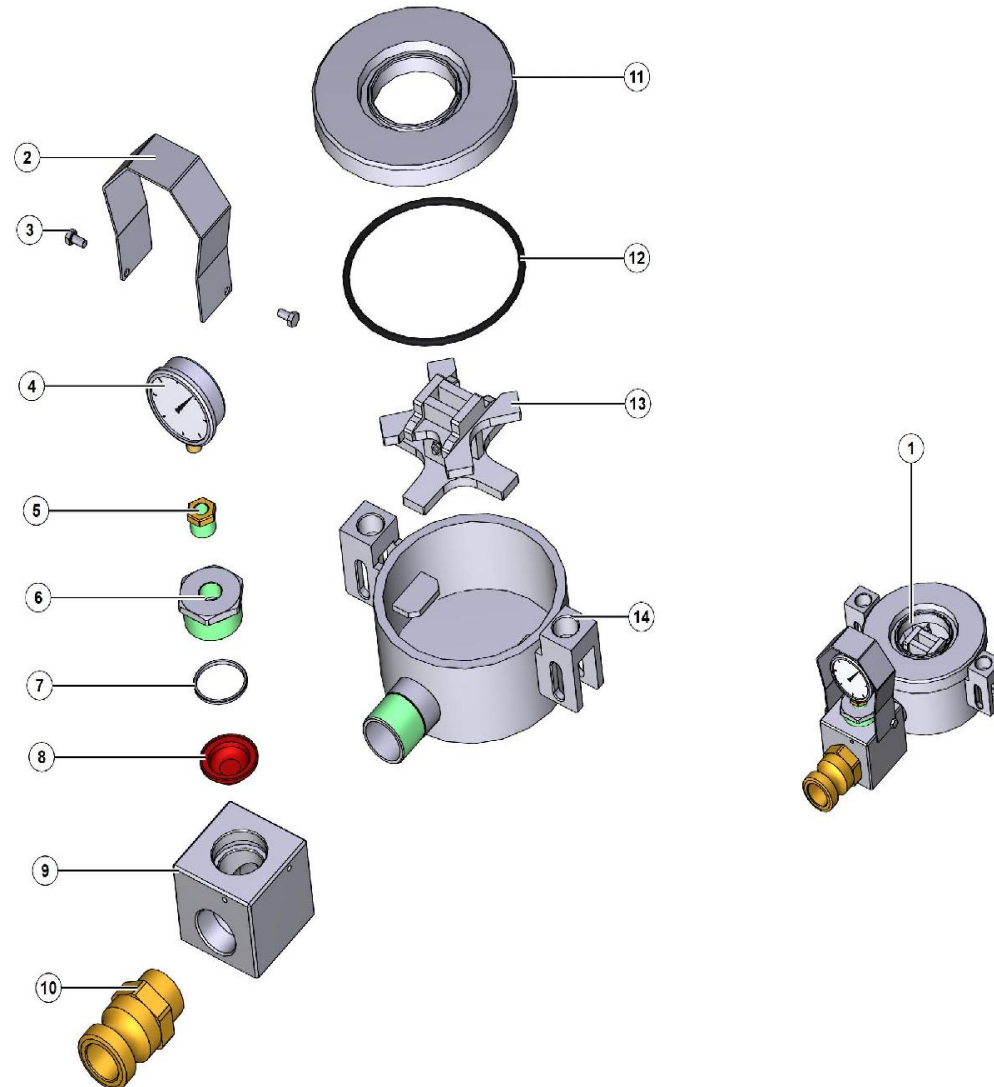
ACCESSORIES





| N. | CODE | DESCRIPTION | UM | QTY |
|----|---------|---------------------------------|----|-----|
| 1 | 3223354 | WRENCH | PZ | 1 |
| 2 | 3223347 | VERTICAL SECTION | PZ | 1 |
| 3 | 3223349 | SCRAPER | PZ | 1 |
| 4 | 3223694 | NOZZLE CLEANER/SCREW PUMP | PZ | 1 |
| 5 | 3223697 | GASKET/MORTAR PUMP | PZ | 1 |
| 6 | 3224831 | GASKET/MORTAR PUMP | PZ | 1 |
| 7 | 3224498 | HANDLE/MORTAR PUMP | PZ | 1 |
| 10 | 3223722 | MALE QUICK COUPLING/MORTAR PUMP | PZ | 1 |
| 11 | 3223390 | CAMLOCK COUPLING | PZ | 1 |
| 12 | 3223704 | CAMLOCK COUPLING DN35 | PZ | 1 |
| 14 | 3223721 | FIXATION/SCREW PUMP | PZ | 1 |

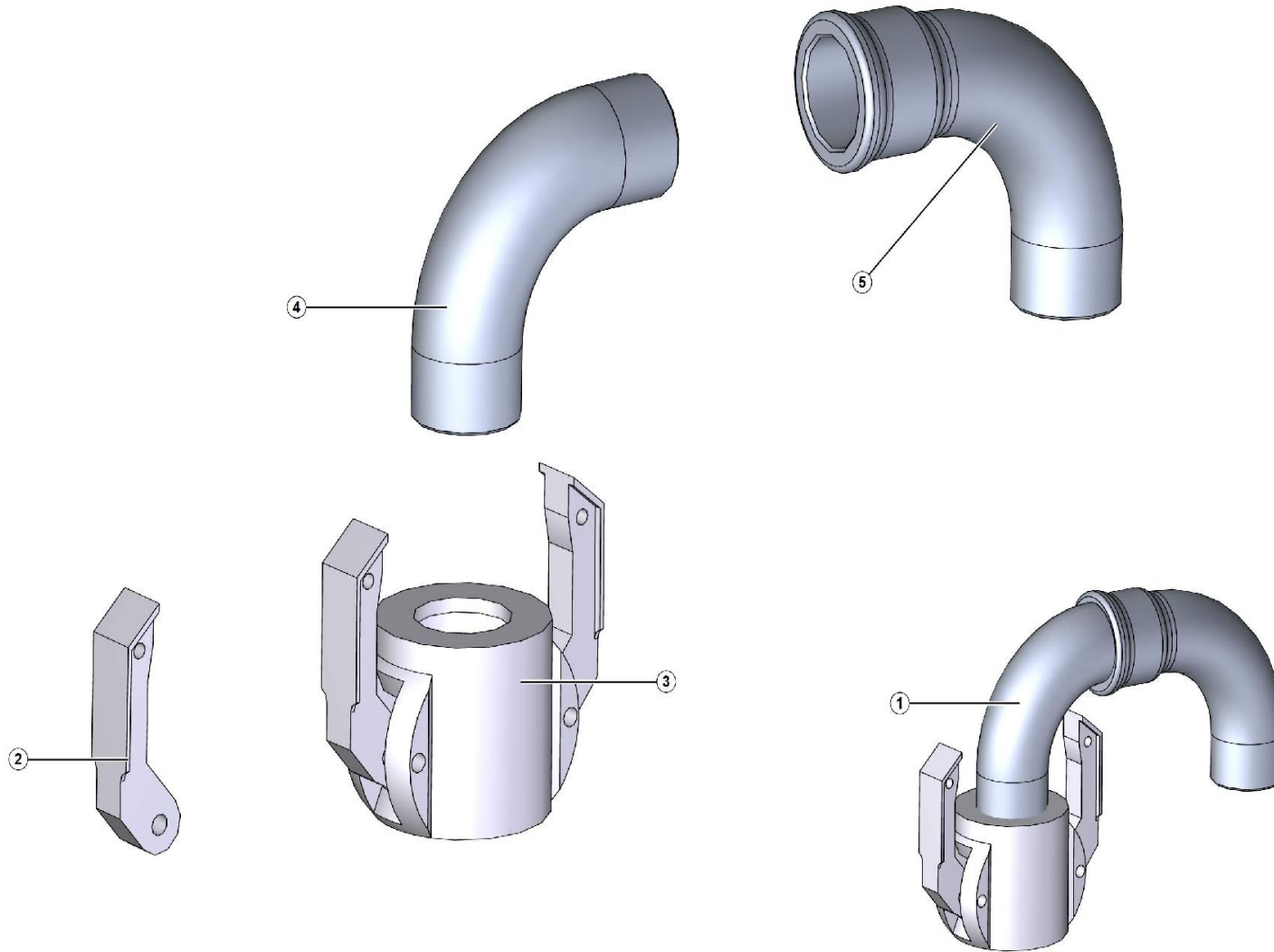
TURBO MIXER FOR STATOR "D"





| N. | CODE | DESCRIPTION | UM | QTY |
|----|---------|-------------------------------------|----|-----|
| 1 | 1107517 | KOINE 4/5 TURBO MIXER 'D' SERIES | | 1 |
| 2 | 3236056 | GUARD | PZ | 1 |
| 3 | 1222004 | 1222004 BOLT | | 2 |
| 4 | 3223689 | MANOMETER/SCREW PUMP | PZ | 1 |
| 5 | 3223609 | REDUCER | PZ | 1 |
| 6 | 3224173 | REDUCTION | PZ | 1 |
| 7 | 3225902 | SPACER/SCREW PUMP | PZ | 1 |
| 8 | 3223392 | MANOMETER'S MEMBRANE/MORTAR PUMP | PZ | 1 |
| 9 | 3236057 | GUARD | PZ | 1 |
| 10 | 3223703 | 'CAM CONNECTION DN35 M-1 "1/4" G M' | PZ | 1 |
| 11 | 3224158 | ZINC TURBOMIXER BASIC CAP | PZ | 1 |
| 12 | 3224329 | RING OR 8-215 D.139.7X5.34 | PZ | 1 |
| 13 | 3237380 | TURBOMIXER | PZ | 1 |
| 14 | 3223794 | KOINE TURBOMIXER BASE | PZ | 1 |

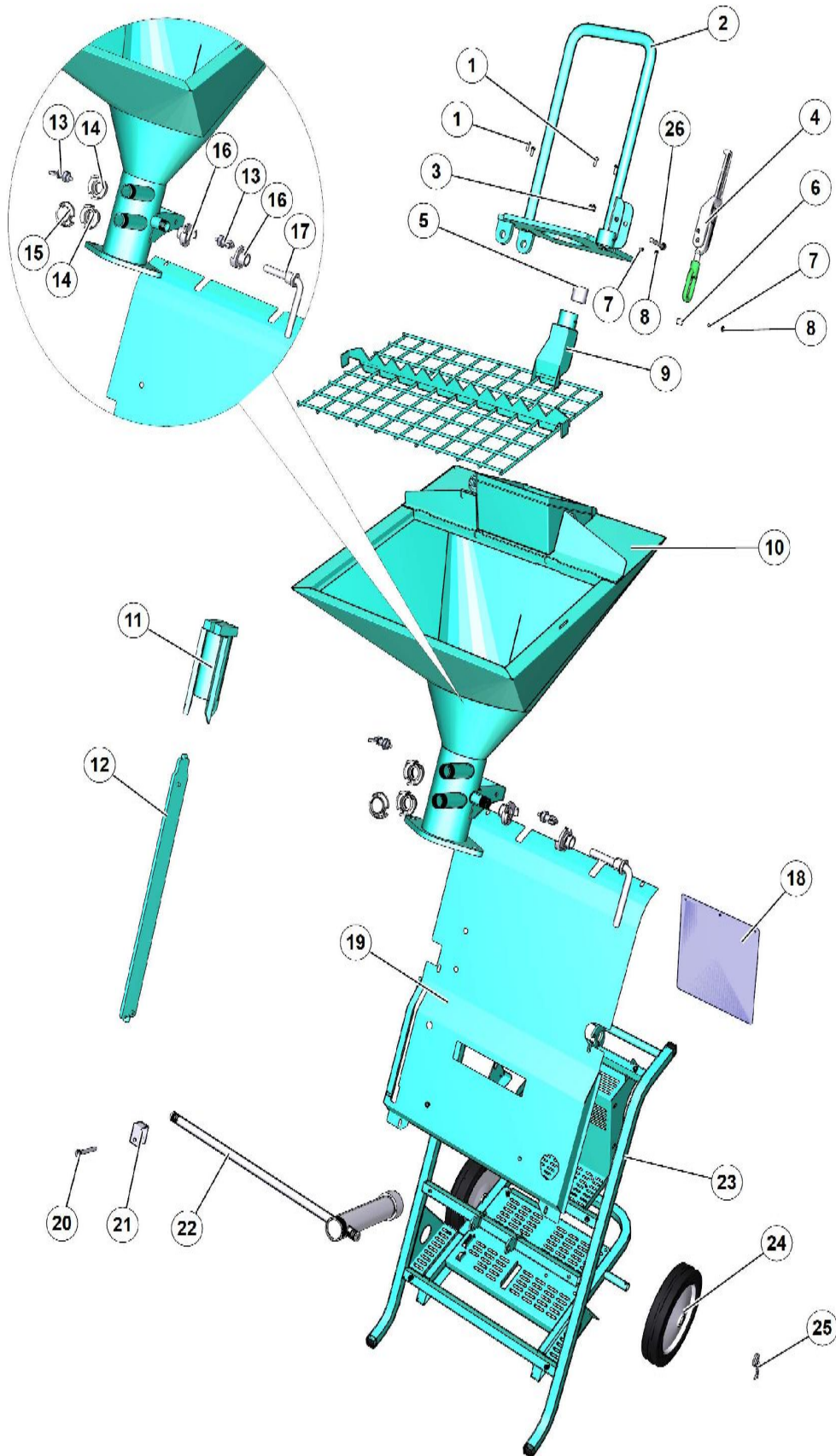
U-SHAPED STEEL PIPE DN25





| N. | CODE | DESCRIPTION | UM | QTY |
|----|---------|--------------------------------|----|-----|
| 1 | 1107570 | Nozzle IM 35 | | 1 |
| 2 | 3224498 | HANDLE/MORTAR PUMP | PZ | 1 |
| 3 | 3224709 | CAM COUPLING/SCREW PUMP | PZ | 1 |
| 4 | 3226426 | 'WIDE RANGE CURVE 90° 1" M.M.' | | 1 |
| 5 | 3226424 | 'WIDE RANGE CURVE 90° 1" M.F.' | | 1 |

FRAME



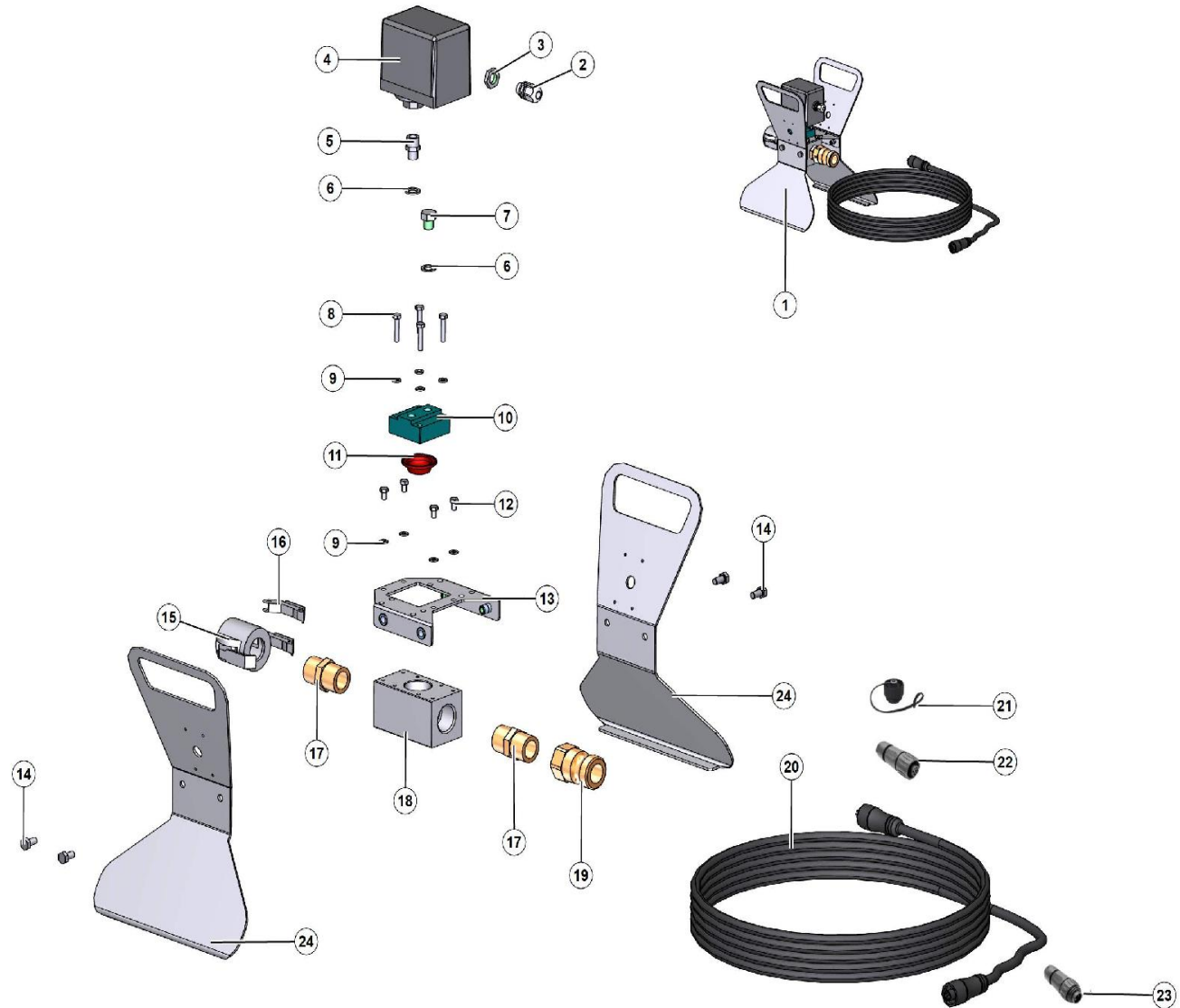


| N. | CODE | DESCRIPTION | UM | QTY |
|----|---------|----------------------------|----|-----|
| 1 | 3292381 | 3292381 BOLT | | 4 |
| 2 | 3238706 | MOTOR SUPPORT | | 1 |
| 3 | 2223923 | LOCK NUT | PZ | 4 |
| 4 | 3223717 | CLOSING HANDLE | PZ | 1 |
| 5 | 3224243 | BUSHING | PZ | 1 |
| 6 | 3224238 | MAGNET | PZ | 1 |
| 7 | 3225175 | SCREW | PZ | 2 |
| 8 | 2223352 | NUT | PZ | 2 |
| 9 | 3238699 | KOINE 3.1 MESH | | 1 |
| 10 | 3238717 | DRUM | | 1 |
| 11 | 3223349 | SCRAPER | PZ | 1 |
| 12 | 3238695 | SCRAPER | PZ | 1 |
| 13 | 3238694 | PISTON WITH LEVER MX1.5 D8 | | 2 |
| 14 | 3223428 | QUICK CONNECTOR | PZ | 2 |
| 15 | 3223429 | CAP | PZ | 1 |
| 16 | 3223636 | QUICK CONNECTOR | PZ | 2 |
| 17 | 3225827 | CAP | PZ | 1 |
| 18 | 3225861 | PROTECTION | PZ | 1 |
| 19 | 3238698 | SHEET | | 1 |
| 20 | 2222176 | SCREW | PZ | 1 |
| 21 | 3238835 | SHEET | | 1 |



| N. | CODE | DESCRIPTION | UM | QTY |
|----|---------|-------------|----|-----|
| 22 | 3223354 | WRENCH | PZ | 1 |
| 23 | 3238660 | FRAME | | 1 |
| 24 | 2211100 | WHEEL | PZ | 2 |
| 25 | 2226715 | SPLIT PIN | PZ | 2 |
| 26 | 2222072 | SCREW | PZ | 1 |

PRESSURE METER CONTROL UNIT FOR ELECTRIC PANEL A1





| N. | CODE | DESCRIPTION | UM | QTY |
|----|---------|----------------------------------|----|-----|
| 1 | 1108007 | Pressure meter unit+press.switch | | 1 |
| 2 | 3227508 | CABLE CLAMP/SAW | PZ | 1 |
| 3 | 3227487 | CABLE GLAND NUT/SAW | PZ | 1 |
| 4 | 3224766 | PRESSURE SWITCH | PZ | 1 |
| 5 | 3228353 | NIPPLES | PZ | 1 |
| 6 | 3251845 | ROLLER/MORTAR PUMP | PZ | 2 |
| 7 | 3225126 | 'CAP 1/4 "M. CYLINDER. SV60 °' | PZ | 1 |
| 8 | 2222022 | SCREW | PZ | 4 |
| 9 | 2224530 | ROLLER/MN | PZ | 8 |
| 10 | 3237948 | PRESSURE GAUGE BLOCK | | 1 |
| 11 | 3223392 | MANOMETER'S MEMBRANE/MORTAR PUMP | PZ | 1 |
| 12 | 2222003 | SCREW | PZ | 4 |
| 13 | 3238113 | PRESS GAUGE SUPPORT PLATE | | 1 |
| 14 | 2222064 | SCREW | PZ | 4 |
| 15 | 3224709 | CAM COUPLING/SCREW PUMP | PZ | 1 |
| 16 | 3224498 | HANDLE/MORTAR PUMP | PZ | 1 |
| 17 | 3224353 | NIPPLE | PZ | 2 |
| 18 | 3237947 | PRESSURE GAUGE BLOCK | | 1 |
| 19 | 3223721 | FIXATION/SCREW PUMP | PZ | 1 |
| 20 | 3237667 | CABLE | | 1 |
| 21 | 3237744 | THERMAL CUTOUT ACTUATOR | | 1 |



| N. | CODE | DESCRIPTION | UM | QTY |
|----|---------|---------------------------|----|-----|
| 22 | 3237745 | THERMAL CUTOUT ACTUATOR | | 1 |
| 23 | 3239197 | | | 1 |
| 24 | 3224765 | PRESS GAUGE SUPPORT PLATE | PZ | 2 |



Access Platform Division

Via San Francesco d'Assisi, 8 - 46020 Pegognaga (Mantova) - ITALY Tel. +39 0376
554011 - Fax +39 0376 559855

www.imergroup.com

Building Equipment Division

Via della Meccanica, 39 (Zona Industriale Sentino) - 53040 Rapolano Terme
(Siena) - ITALY - Tel. +39 0577 97341 - Fax +39 0577 704077

www.imergroup.com