

# 1105815

## SYNTESI 350 ENG HONDA

3209549\_1105815\_R19W - R19W (20/9/2020)



### Access Platform Division

Via San Francesco d'Assisi, 8 - 46020 Pegognaga (Mantova) - ITALY Tel. +39 0376  
554011 - Fax +39 0376 559855

[www.imergroup.com](http://www.imergroup.com)

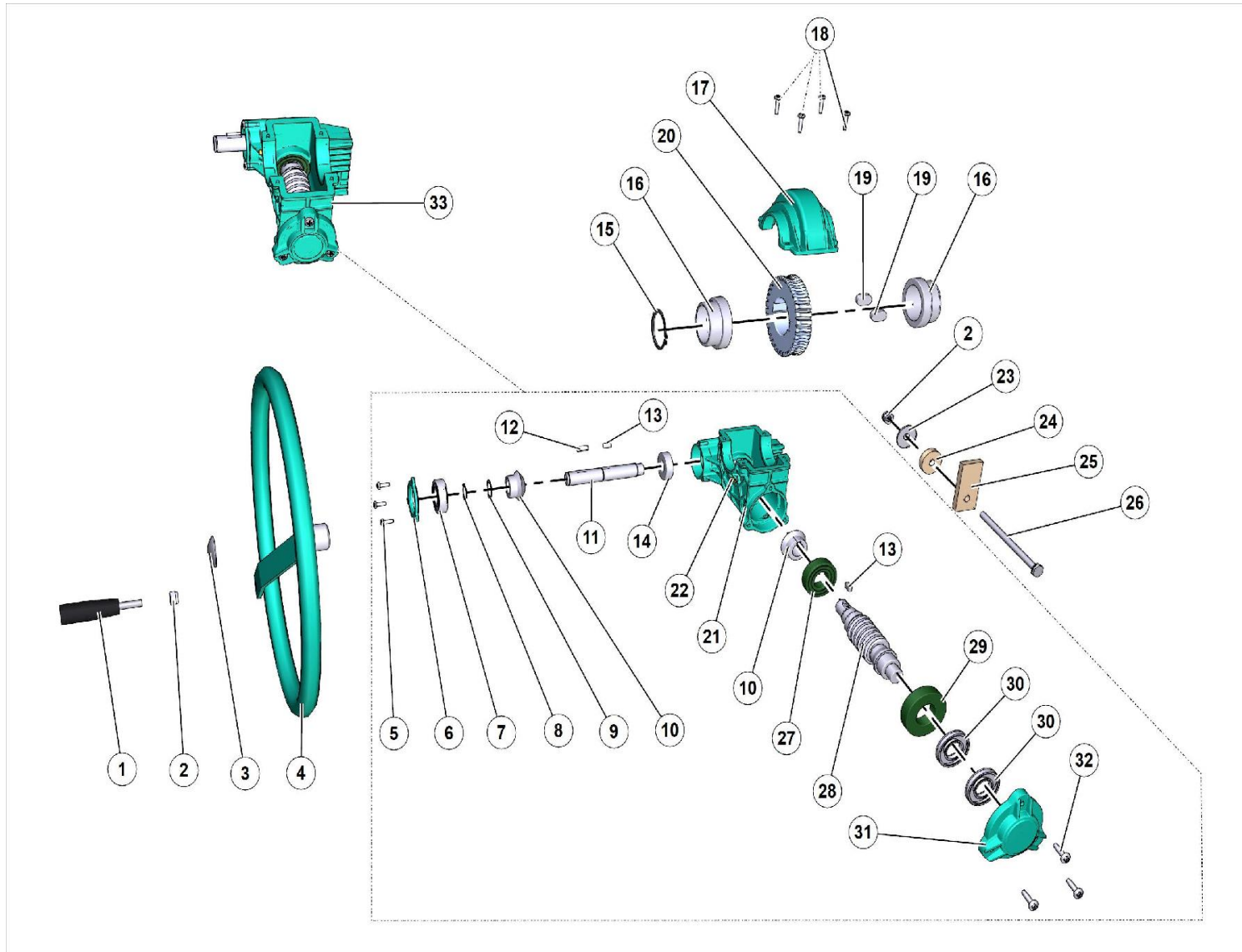
### Building Equipment Division

Via della Meccanica, 39 (Zona Industriale Sentino) - 53040 Rapolano Terme  
(Siena) - ITALY - Tel. +39 0577 97341 - Fax +39 0577 704077

[www.imergroup.com](http://www.imergroup.com)

[www.imerglobalcustomercare.com](http://www.imerglobalcustomercare.com)

# DRUM REDUCTION UNIT



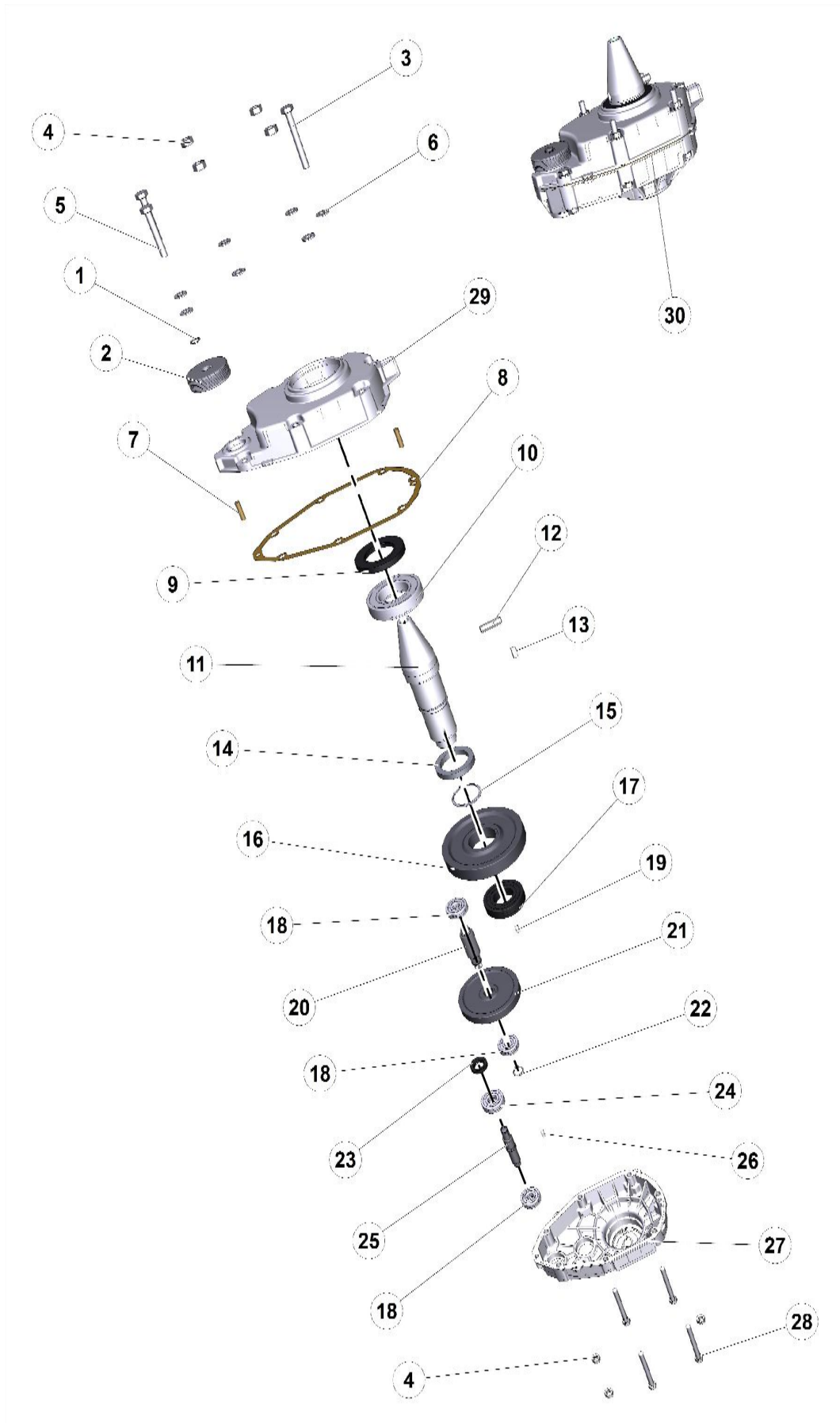


N.	CODE	DESCRIPTION	UM	QTY
1	3206748	HANDLE	PZ	1
2	2223920	SELF-LOCKING NUT	PZ	2
3	3234355	STOP RING TYPE Z WITH D.20 STAINLESS STE	PZ	1
4	3228750	HANDWHEEL SYNTESI	PZ	1
5	2222465	SCREW	PZ	3
6	3234642	PAINTED SYNTESI STEERING WHEEL SIDE COVE	PZ	1
7	2204560	Bearing	PZ	1
8	2227320	CIRCLIP	PZ	1
9	3227876	WASHER	PZ	1
10	3213264	PINION/CONC.MIXER	PZ	2
11	3208771	SHAFT/CONC.MIXER	PZ	1
12	2229300	KEY/CONC.MIXER	PZ	1
13	2229259	KEY	PZ	2
14	3232764	Bearing	PZ	1
15	2227205	STOP RING	PZ	1
16	3208770	PIN	PZ	2
17	3234640	DIE-CAST PAINTED SYNTESI TIPPING COVER	PZ	1
18	2222467	SCREW	PZ	4
19	3208776	PIN	PZ	2
20	3208773	GEAR WHEEL/CONC.MIXER	PZ	1
21	3234639	PAINTED SYNTESI TIPPING CARCASE	PZ	1



N.	CODE	DESCRIPTION	UM	QTY
22	2230350	Grease nipple	PZ	1
23	2224220	WASHER	PZ	1
24	3208790	SHOCK ABSORBER/CONC.MIXER	PZ	1
25	3208789	Damper	PZ	1
26	3210606	SCREW	PZ	1
27	2204540	Bearing	PZ	1
28	3213893	SCREW	PZ	1
29	3237097	BEARING 6206 2RS	PZ	1
30	3213811	STOP RING	PZ	2
31	3234641	DIE-CAST PAINTED SYNTESI TIPPING COVER	PZ	1
32	3209987	SCREW	PZ	3
33	3209786	TILTING DRUM GEARBOX/CONC.MIXER	PZ	1

# GEAR BOX



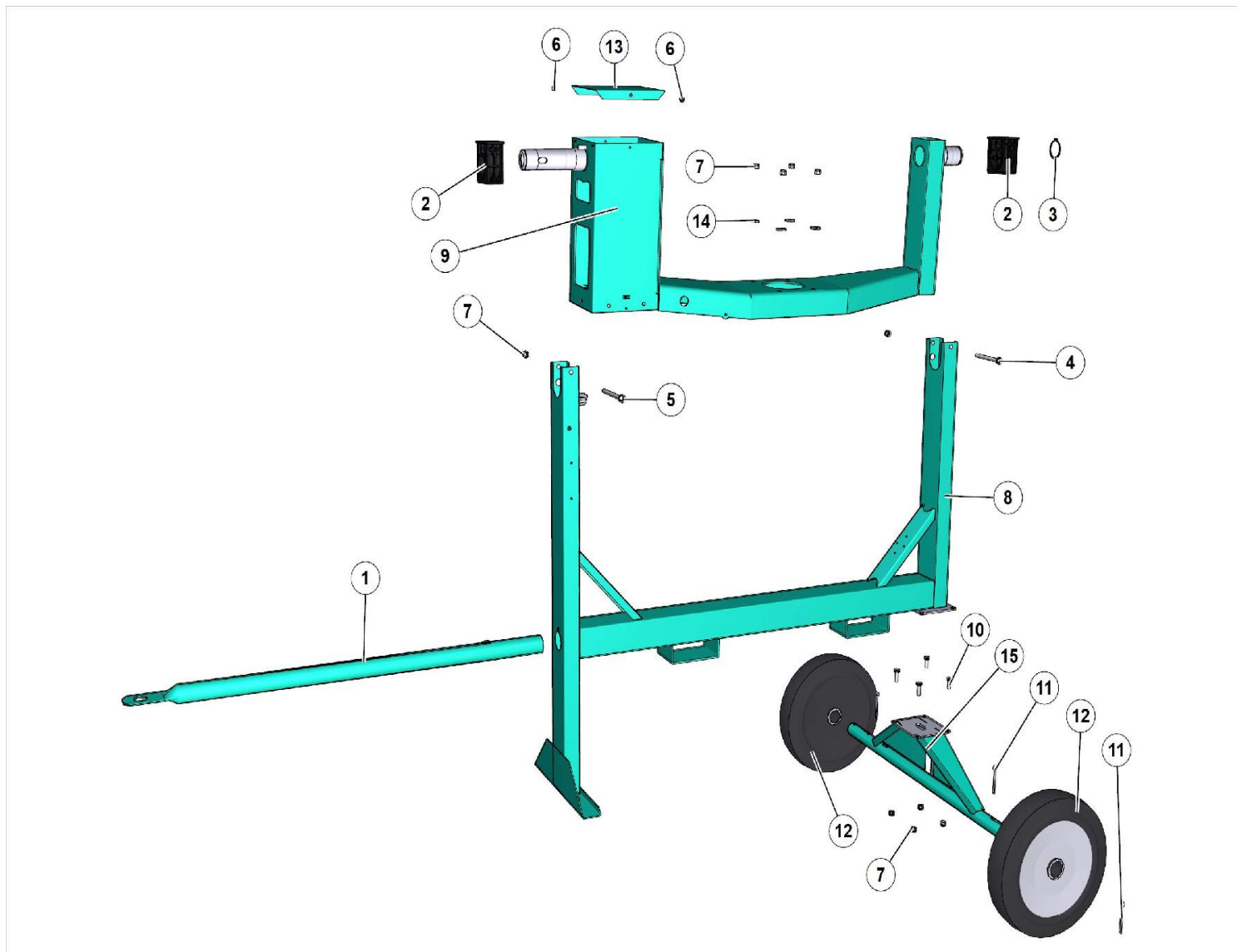


N.	CODE	DESCRIPTION	UM	QTY
1	1227330	STOP RING	PZ	1
2	3208919	PULLEY/CONC.MIXER	PZ	1
3	2222145	SCREW	PZ	1
4	2223650	NUT	PZ	7
5	2222148	SCREW	PZ	2
6	2224340	ROLLER/MORTAR PUMP	PZ	6
7	3213180	Gudgeon pin	PZ	2
8	3209811	GASKET/CONC.MIXER	PZ	1
9	3213179	OIL SEAL/CONC.MIXER	PZ	1
10	2204569	Bearing	PZ	1
11	3210474	SHAFT	PZ	1
12	3213177	PIN	PZ	1
13	3213178	KEY	PZ	1
14	3208966	SPACER	PZ	1
15	2227207	STOP RING	PZ	1
16	3208970	GEAR WHEEL	PZ	1
17	3213282	BEARING/MN	PZ	1
18	3209682	Bearing	PZ	3
19	2229259	KEY	PZ	1
20	3208975	PINION	PZ	1
21	3209801	GEAR WHEEL	PZ	1



N.	CODE	DESCRIPTION	UM	QTY
22	2227320	CIRCLIP	PZ	1
23	3200094	OIL SEAL/CONC.MIXER	PZ	1
24	3208983	Bearing	PZ	1
25	3209799	SHAFT	PZ	1
26	2229250	KEY	PZ	1
27	3209514L	REDUCTION GEAR CASING	PZ	1
28	3230223	SCREW TE 8.8 5739 10X100 Z	PZ	4
29	3209515L	REDUCTION GEAR CASING	PZ	1
30	3210476	GEARBOX/CONC.MIXER	PZ	1

FRAME

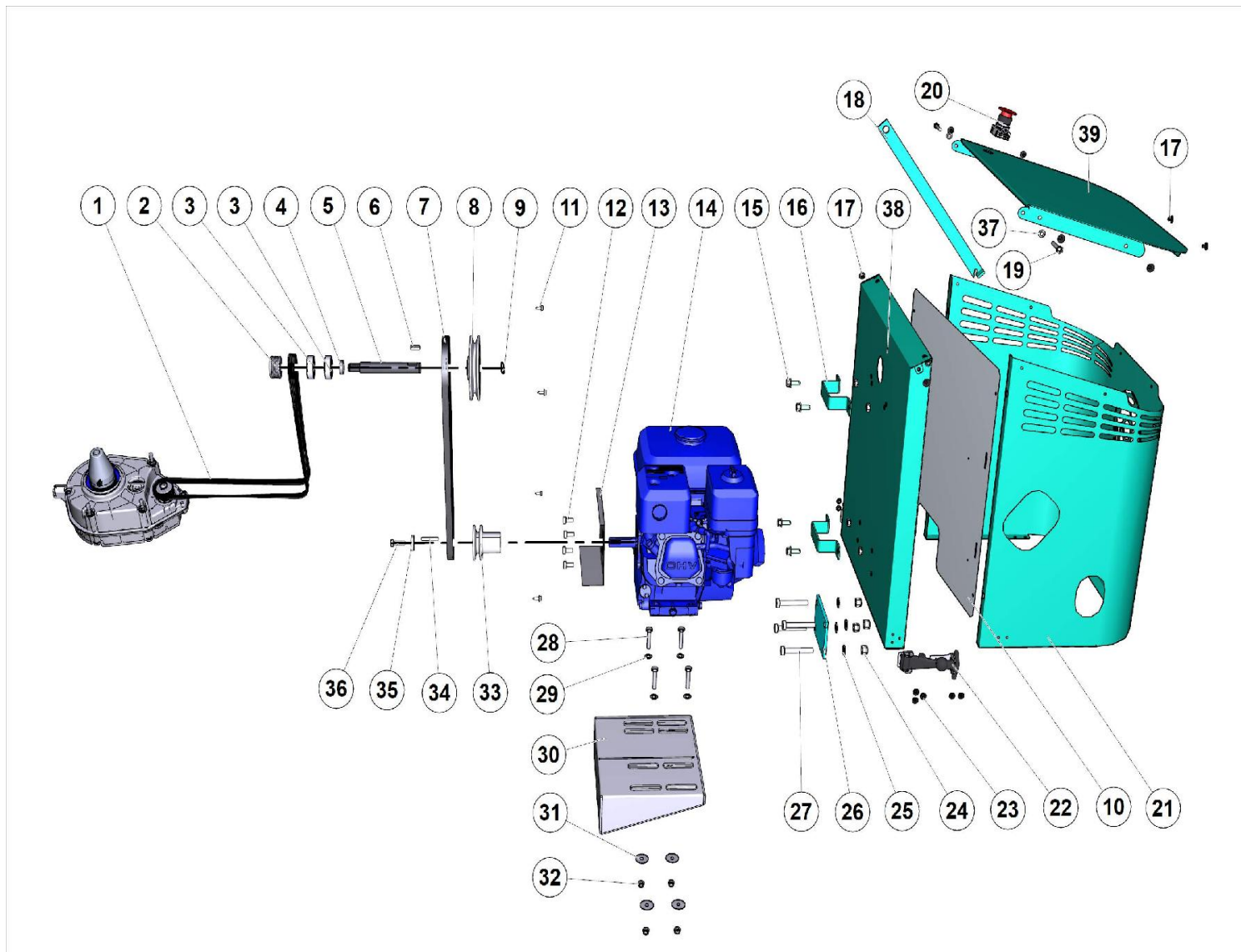






N.	CODE	DESCRIPTION	UM	QTY
1	3228748	TOWBAR	PZ	1
2	3209009	BLOCK SUPPORT/CONC.MIXER	PZ	2
3	2227205	STOP RING	PZ	2
4	1222694	SCREW	PZ	1
5	2222154	SCREW	PZ	1
6	3211175	ALUMINUM RIVET 4.8X16 T16	PZ	2
7	2223920	SELF-LOCKING NUT	PZ	10
8	3209021	CRADLE	PZ	1
9	3209022	Arm	PZ	1
10	2222056	SCREW	PZ	4
11	2226503	SPLIT PIN	PZ	4
12	2211250	WHEELS	PZ	2
13	3228749	ARM LOCK	PZ	1
14	3209178	WASHER/CONC.MIXER	PZ	4
15	3228747	SALA SY 350 GROUP PAINTED	PZ	1

# ENGINE



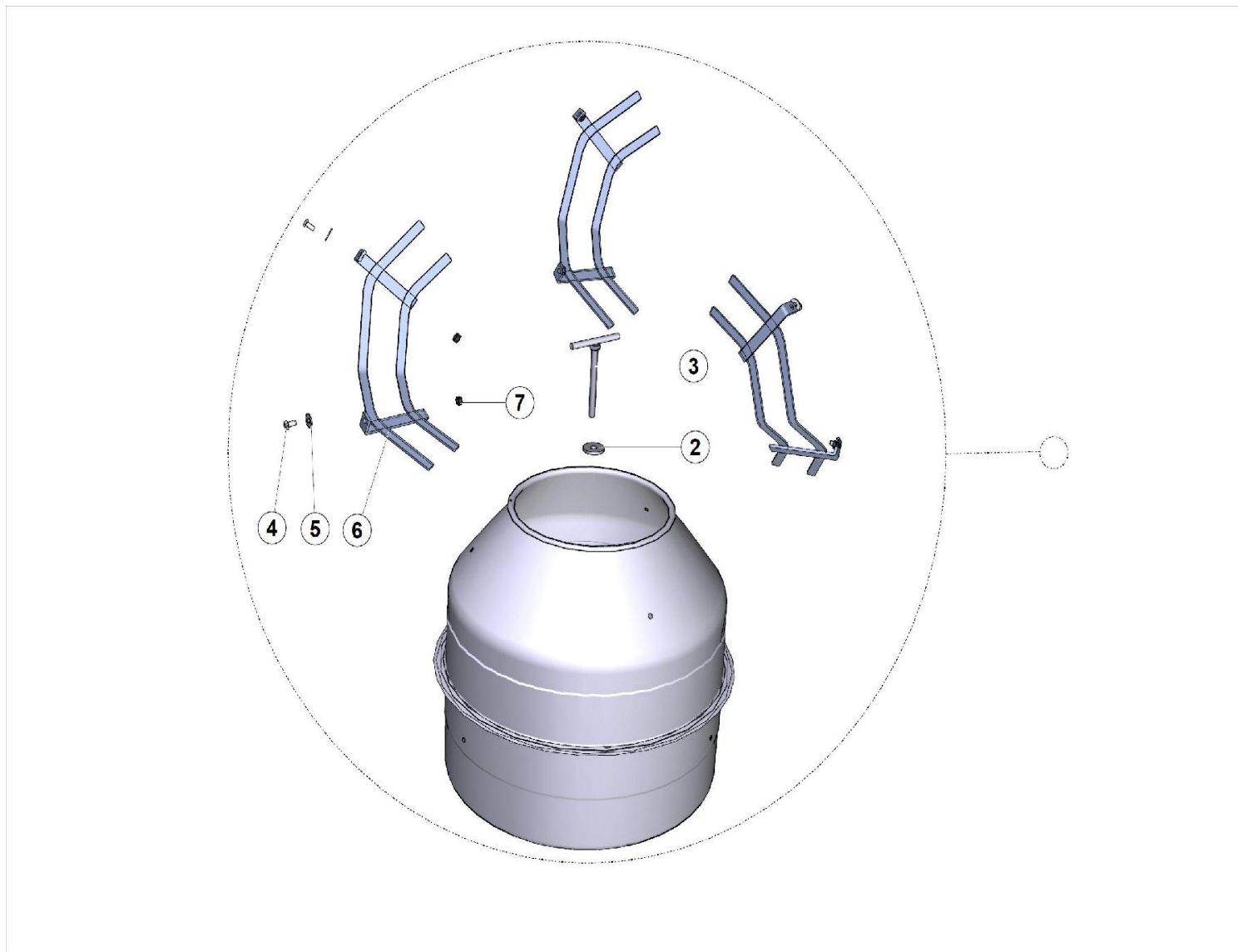


N.	CODE	DESCRIPTION	UM	QTY
1	3209081	BELT/CONC.MIXER	PZ	1
2	3208919	PULLEY/CONC.MIXER	PZ	1
3	2204438	Bearing	PZ	2
4	3209069	SPACER		1
5	3209074	SHAFT/CONC.MIXER	PZ	1
6	2229300	KEY/CONC.MIXER	PZ	1
7	2210950	BELT/CONC.MIXER	PZ	1
8	3209053	ENGINE PULLEY/CONC.MIXER	PZ	1
9	2227320	CIRCLIP	PZ	1
10	3233705	SHEET METAL COVER ENGINE S350	PZ	1
11	2222420	SCREW	PZ	4
12	3206357	'SCREW TE 8.8 UNF 5/16"X16Z'	PZ	4
13	3209136	Guard	PZ	1
14	2275751	ENDOTHERMIC ENGINE	PZ	1
15	2222061	BOLT/CONC.MIXER	PZ	4
16	3209126	INSTRUCTION BOOKLET CONCRETE MIXER S190-		2
17	2288788	Self-tapping screw	PZ	4
18	3209111	LATCH ARM/CONC.MIXER	PZ	1
19	3225641	SCREW TE 8.8 5739 6X 35 Z		2
20	3210723	PUSHBUTTON	PZ	1
21	3233703	PLATE		1



N.	CODE	DESCRIPTION	UM	QTY
22	3206684	Locking	PZ	2
23	3225752	ALUMINUM RIVET 4X10 D.12		6
24	2223920	SELF-LOCKING NUT	PZ	4
25	2224340	ROLLER/MORTAR PUMP	PZ	4
26	3209119	Plate	PZ	1
27	2222145	SCREW	PZ	4
28	2222190	SCREW	PZ	4
29	2224140	ROLLER 6593	PZ	4
30	3233721	MOTOR SUPPORT PAINTED SY 190-350 U	PZ	1
31	2224190	WASHER	PZ	4
32	2223923	LOCK NUT	PZ	4
33	3209165	PULLEY	PZ	1
34	2229328	KEY	PZ	1
35	3206322	WASHER/CONC.MIXER	PZ	1
36	2221994	SCREW	PZ	1
37	2224530	ROLLER/MN	PZ	2
38	3233700	BEHIND CAB ASSEMBLED / PAINTED	PZ	1
39	3233704	SHEET METAL DOOR COVER	PZ	1

DRUM





N.	CODE	DESCRIPTION	UM	QTY
1	3206635	DRUM/CONC.MIXER	PZ	1
2	3236256	WASHER 61x19x8 TANK BLOCK SY300/350	PZ	1
3	3210467	LEVER/CONCRETE MIXER	PZ	1
4	3231552	SCREW TBEI 10.9 7380 12X25 ZN	PZ	6
5	3201698	WASHER	PZ	6
6	2250089	Mixing blade	PZ	3
7	1223690	1223690 NUT		6



**Access Platform Division**

Via San Francesco d'Assisi, 8 - 46020 Pegognaga (Mantova) - ITALY Tel. +39 0376  
554011 - Fax +39 0376 559855

[www.imergroup.com](http://www.imergroup.com)

**Building Equipment Division**

Via della Meccanica, 39 (Zona Industriale Sentino) - 53040 Rapolano Terme  
(Siena) - ITALY - Tel. +39 0577 97341 - Fax +39 0577 704077

[www.imergroup.com](http://www.imergroup.com)