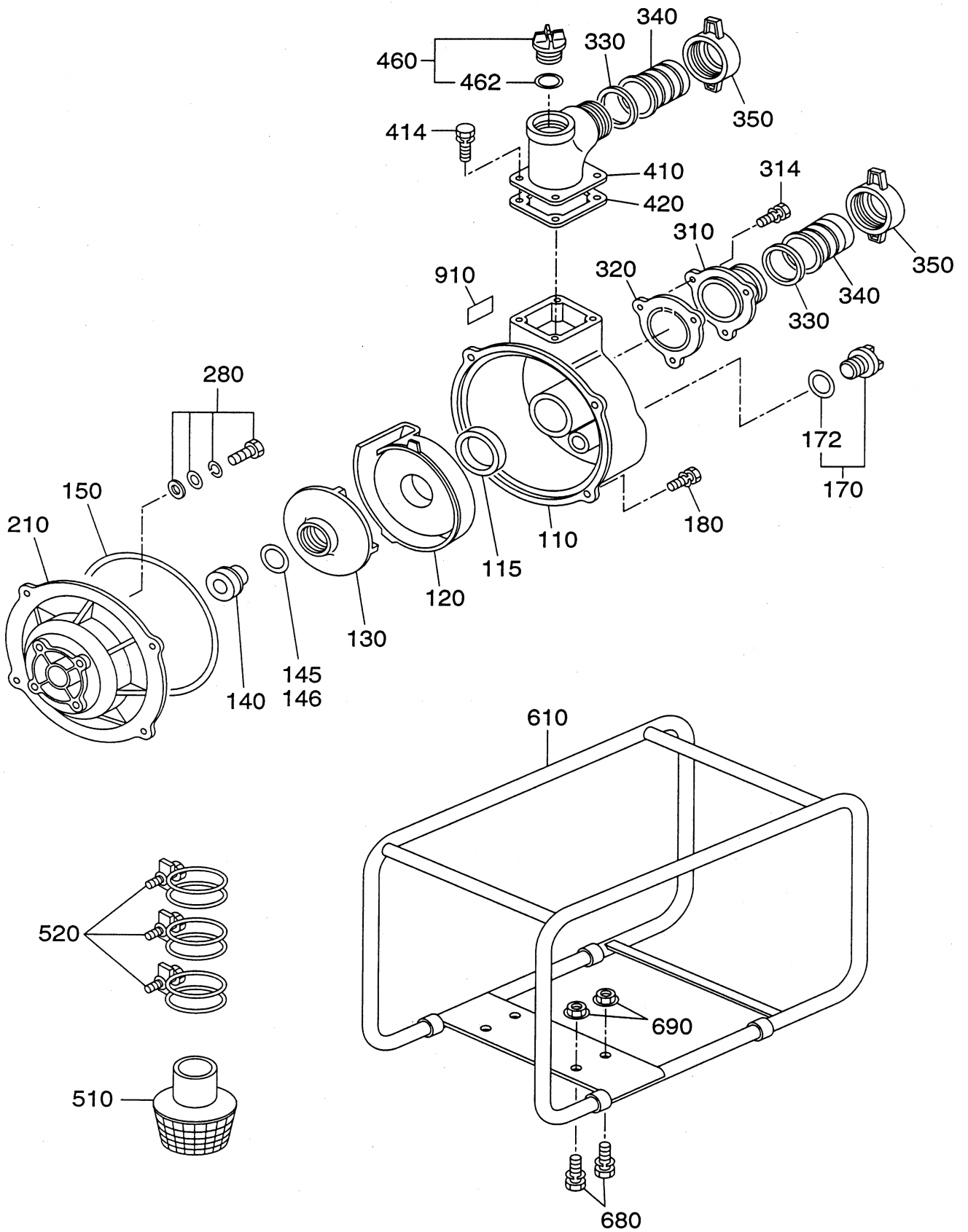


FIG. 4200



4 2 PUMP

REF. NO.	PART NUMBER		PART NAME		CODE NO. FROM - TO	QTY	REMARKS	INTERCHANGEABLE PART NUMBER	FIG. NO.
		PART NUMBER		SPEC. NO.					
110	480-08010-01		CASING		-	1			4200
115	480-08010-12		PACKING, INNER CASING		-	1			4200
120	480-08010-11		INNER CASING		-	1			4200
130	480-08010-09		IMPELLER		-	1			4200
140	480-05010-10		MECHANICAL SEAL		-	1			4200
145	480-08010-37		SHIM		-	1	T=0.3		4200
146	480-08010-38		SHIM		-	1	T=0.6		4200
150	480-05010-02		O-RING		-	1			4200
170	480-05010-21		PLUG, DRAIN		-	1			4200
172	480-05010-22		O-RING		-	1			4200
180	480-05310-03		HEX BOLT		-	4			4200
210	480-05010-04		CASING COVER		-	1			4200
280	480-05010-05		CASING BOLT AY		-	4			4200
310	480-08010-13		VALVE CASE		-	1			4200
314	480-08010-14		BOLT & WASHER AY		-	3			4200
320	480-08010-15		CHECK VALVE		-	1			4200
330	480-08010-17		PACKING, NIPPLE		-	2			4200
340	481-00001-08		HOSE NIPPLE		-	2			4200
350	480-08010-16		COUPLING HANDLE		-	2			4200
410	480-08010-19		BEND		-	1			4200
414	481-00001-70		HEX BOLT		-	4			4200
420	480-08010-20		PACKING BEND		-	1			4200
460	480-05010-21		PLUG, DRAIN		-	1			4200
462	480-05010-22		O-RING		-	1			4200
510	480-08050-29		STRAINER (ABS)		-	1			4200
520	480-08010-28		HOSE BAND		-	3			4200
610	481-00001-51		FRAME		-	1			4200
680	480-05010-23		HEX BOLT		-	4			4200
690	480-05010-24		FLANGE NUT		-	4			4200
910	484-00008-03		LABEL (PUMP NAME)		-	1			4200
	484-00009-03		PTX30100010		-	1			4200