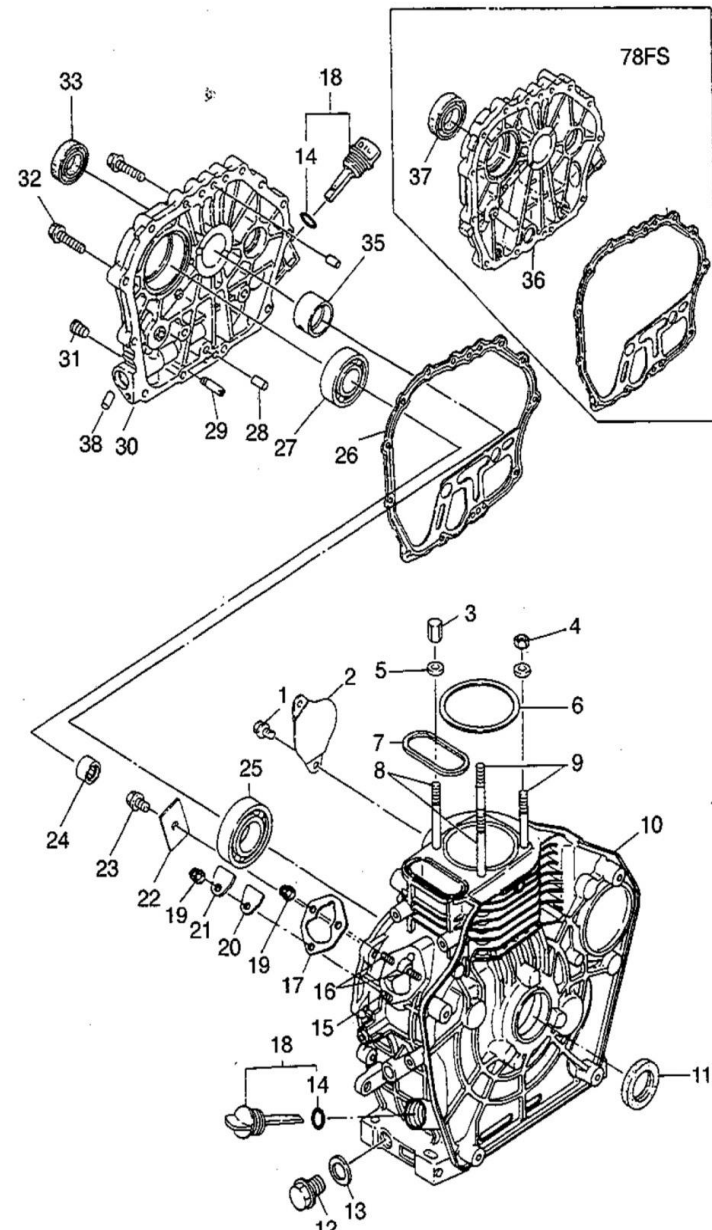


Schema explodata SC7500Q Senci
Exploded view SC7500Q Senci

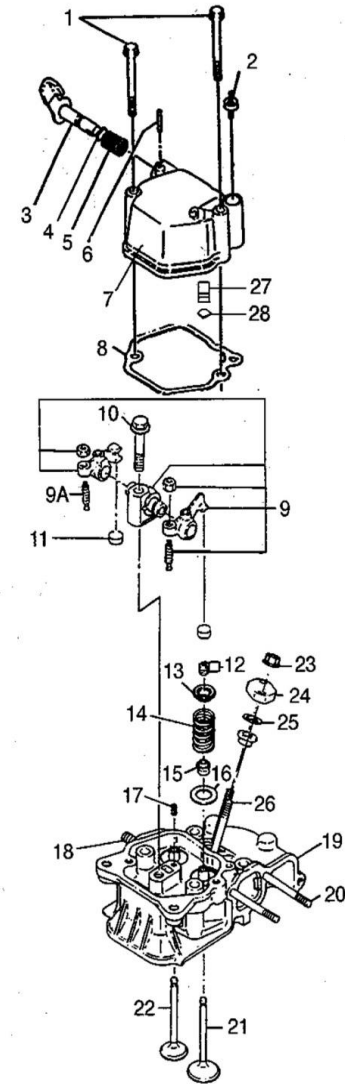
| KD192FE | | | | |
|--------------------|---------------|--|------|-----|
| 1. Body parts list | | | | |
| No. | Code | English Name | Unit | Qty |
| 1 | 1710626 | Bolt M10*20(GB5787-86) | PCS | 2 |
| 2 | 17138 | Cover of starting motor hole | PCS | 2 |
| 3 | 86-1704903 | Nut of cylinder head(long) | PCS | 2 |
| 4 | 86-1705003 | Nut of cylinder head(short) | PCS | 2 |
| 5 | 86-1704803 | Gasket of nut of cylinder head | PCS | 2 |
| 6 | 86-1706314 | Gasket of cylinder head | PCS | 1 |
| 7 | 86-1720106 | rectangle ring 5.1*2.5 | PCS | 1 |
| 8 | 86-1700203 | Bolt of cylinder head(long) | PCS | 2 |
| 9 | 86-1700303 | Bolt of cylinder head(short) | PCS | 2 |
| 10 | 86-1700110 | Cylinder block | PCS | 1 |
| 11 | 86-1711704 | Oil sealing 30 x 45 x 8 | PCS | 1 |
| 12 | 17121 | Cock of oil draining | PCS | 1 |
| 13 | 17120 | Gasket of cock of oil draining | PCS | 1 |
| 14 | 1711324 | "O" ring 24x2.4 | PCS | 2 |
| 15 | 17123 | Fastening bolt of fuel injection pump(short) | PCS | 1 |
| 16 | 17122 | Fastening bolt of fuel injection pump(long) | PCS | 2 |
| 17 | 1719605 | Adjusting gasket of fuel injector(0.5) | PCS | 1 |
| 18 | 78/86-1702002 | Dipstick of lubricating oil | PCS | 2 |
| 19 | 1710103 | Nut M6 | PCS | 3 |
| 20 | 17159 | Gasket of sealing plate | PCS | 1 |
| 21 | 17158 | Sealing plate | PCS | 1 |
| 22 | 17195 | Thrust piece | PCS | 1 |
| 23 | 1710636 | Bolt with flange face M8 x 14(GB5789-86) | PCS | 1 |
| 24 | 1710010 | Needle bearing 7941/15 | PCS | 1 |
| 25 | 86-1710008 | Ball bearing 308(GB/T276-94) | PCS | 1 |
| 26 | 86-1704603 | Gasket of crankcase cover | PCS | 1 |
| 27 | 86-1710404 | Bearing 207(GB/T276-94) | PCS | 1 |
| 28 | 1711111 | retaining pin 8 x 12(GB119-86) | PCS | 2 |
| 29 | 78/86-17080 | Fuel pipe | PCS | 1 |
| 30 | 86-1701904 | Crankcase cover | PCS | 1 |



| | | | | |
|----|---------------|--------------------------------|-----|---|
| 31 | 17133 | Inner hexagon plug G1/8" | PCS | 1 |
| 32 | 86-1710083 | Anti-loosing bolt M8 x 33.5 | PCS | 1 |
| 33 | 86-1711705 | Front oil sealing 35 x 50 x 10 | PCS | 1 |
| 34 | 86-1701803 | Main bush | PCS | 1 |
| 35 | 78/86-1711602 | Al. plug 08 x 8 | PCS | 3 |

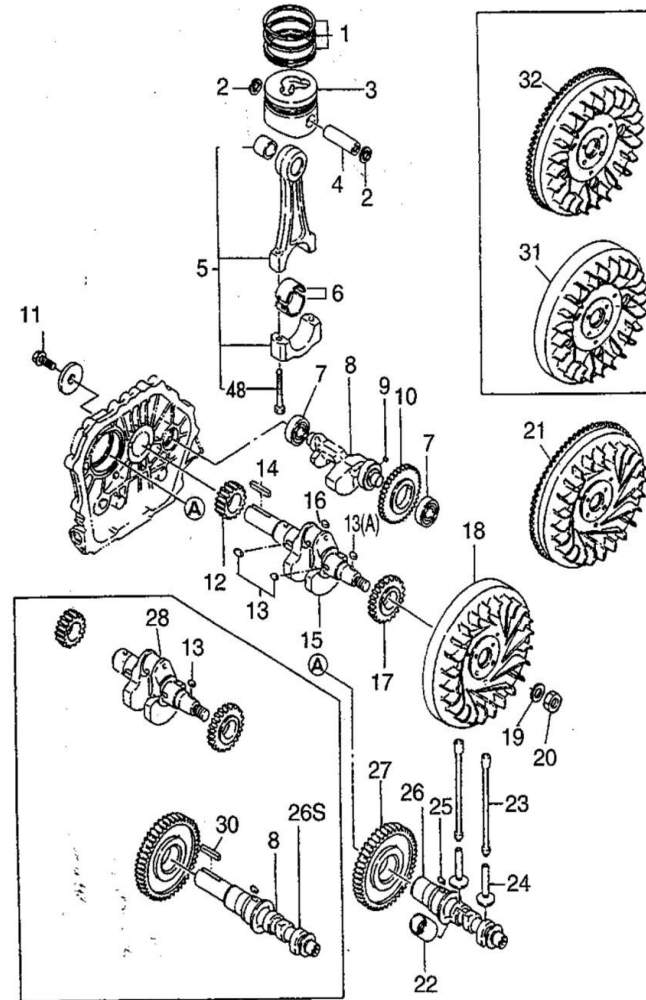
2. Cylinder head and head cover

| No. | Code | English Name | Unit | Qty |
|-----|------------|---|------|-----|
| 1 | 86-1710730 | Bolt with flange face M6 x 70(GB5789-86) | PCS | 2 |
| 2 | 17142 | Oiling screw plug | PCS | 1 |
| 3 | 17139 | Part of decompression shaft | PCS | 1 |
| 4 | 1711310 | "O" ring 10x1.9(GB1235-76) | PCS | 1 |
| 5 | 17140 | Decompression spring | PCS | 1 |
| 6 | 1711103 | Retaining pin 3 x 16(GB119-86) | PCS | 1 |
| 7 | 86-1706603 | Cylinder head cover | PCS | 1 |
| 8 | 86-1717001 | Gasket of cylinder head cover | PCS | 1 |
| 9 | 86-1716801 | Rocker arm | PCS | 1 |
| 9A | 17165 | Adjusting screw of valve gap | PCS | 1 |
| 10 | 86-1716901 | Fastened bolt of rocker arm shaft | PCS | 1 |
| 11 | 86-1705203 | Valve adjusting packing | PCS | 2 |
| 12 | 86-1702703 | Valve clip | PCS | 4 |
| 13 | 86-1702803 | Valve spring seat | PCS | 2 |
| 14 | 86-1702903 | Valve spring | PCS | 2 |
| 15 | 86-1702100 | Oil seal of valve guide | PCS | 2 |
| 16 | 86-1713601 | Spring washer of valve | PCS | 2 |
| 17 | 1711104 | Pin4 X 8(GB119-86) | PCS | 1 |
| 18 | 1710920 | Double ends stud AM8 X 20(GB899-88) | PCS | 2 |
| 19 | 86-1702402 | Mechanical process parts of cylinder head | PCS | 1 |
| 20 | 86-1710956 | Double ends bolt AM6 x 75(GB900-88) | PCS | 2 |
| 21 | 86-1702503 | Intake valve | PCS | 1 |
| 22 | 86-1702605 | Exhaust valve | PCS | 1 |
| 23 | 1710103 | Nut M6(GB6177-86) | PCS | 2 |
| 24 | 179732 | Pressing plate of fuel injector | PCS | 1 |
| 25 | 1724502 | Adjusting gasket of fuel injector | PCS | 1 |
| 26 | 86-17122 | Fastened bolt of fuel injector(long) | PCS | 2 |
| 27 | 17141 | Breather assembly | PCS | 1 |
| 28 | 1711312 | "O" ring 12x1.9 | PCS | 1 |



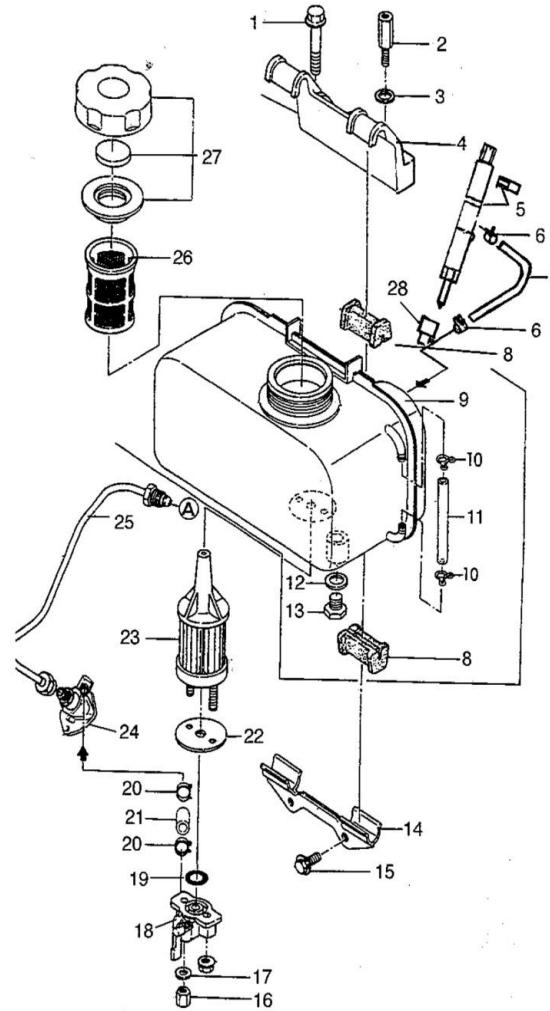
3. Piston connecting and balancing shaft

| No. | Code | English Name | Unit | Qty | | | | | | | | | | | | | | | | | | | | | | | | | | | | | | | | | | |
|-----|---------------|--|--|-----|------------|---|-----|---|----|---------|----------------------------|-----|---|----|------------|----------|-----|---|----|-----------|--------|-----|---|----|------------|----------------------|-----|---|----|------------|----------|-----|---|----|------------|----------------------|-----|---|
| 1 | 86-1701404 | Piston ring group | PCS | 1 | | | | | | | | | | | | | | | | | | | | | | | | | | | | | | | | | | |
| 2 | 86-1701603 | Retainer of piston pin 23 | PCS | 2 | | | | | | | | | | | | | | | | | | | | | | | | | | | | | | | | | | |
| 3 | 86-170204 | Piston | PCS | 1 | | | | | | | | | | | | | | | | | | | | | | | | | | | | | | | | | | |
| 4 | 86-1701703 | Piston pin | PCS | 1 | | | | | | | | | | | | | | | | | | | | | | | | | | | | | | | | | | |
| 5 | 86-1701303 | Connecting rod body | PCS | 1 | | | | | | | | | | | | | | | | | | | | | | | | | | | | | | | | | | |
| 6 | 86-1701503 | Connecting rod bush | PCS | 1 | | | | | | | | | | | | | | | | | | | | | | | | | | | | | | | | | | |
| 7 | 86-1710000 | Bearing 203{GB/T276-94} | PCS | 2 | | | | | | | | | | | | | | | | | | | | | | | | | | | | | | | | | | |
| 8 | 86-1706503 | Balancing shaft | PCS | 1 | | | | | | | | | | | | | | | | | | | | | | | | | | | | | | | | | | |
| 9 | 1710507 | Key 5 x 7{GB1096-79} | PCS | 2 | | | | | | | | | | | | | | | | | | | | | | | | | | | | | | | | | | |
| 10 | 86-1707703 | Balancing shaft timing gear | PCS | 1 | | | | | | | | | | | | | | | | | | | | | | | | | | | | | | | | | | |
| 11 | A001 | Bolt(for F shaft accompany with the diesei eng | PCS | | | | | | | | | | | | | | | | | | | | | | | | | | | | | | | | | | | |
| 12 | 86-1700803 | Crankshaft timing gear | PCS | 1 | | | | | | | | | | | | | | | | | | | | | | | | | | | | | | | | | | |
| 13 | 86-1710512 | Key5 x 12{GB1096-79} | PCS | 1 | | | | | | | | | | | | | | | | | | | | | | | | | | | | | | | | | | |
| 13A | 86-1710514 | Key5 x 14{GB1096-79} | PCS | 1 | | | | | | | | | | | | | | | | | | | | | | | | | | | | | | | | | | |
| 14 | 78/86-1710563 | Key6 x 63{GB1096-79} | PCS | 1 | | | | | | | | | | | | | | | | | | | | | | | | | | | | | | | | | | |
| 15 | 86-1700708 | Crankshaft | PCS | 1 | | | | | | | | | | | | | | | | | | | | | | | | | | | | | | | | | | |
| 16 | 1711601 | Plug6 x 8 | PCS | 1 | | | | | | | | | | | | | | | | | | | | | | | | | | | | | | | | | | |
| 17 | 86-1707803 | Driving gear of balancing shaft | PCS | 1 | | | | | | | | | | | | | | | | | | | | | | | | | | | | | | | | | | |
| 18 | 86-1704400 | Flywheel | PCS | 1 | | | | | | | | | | | | | | | | | | | | | | | | | | | | | | | | | | |
| 19 | 86-1715601 | Gasket for nut of flywheel | PCS | 1 | | | | | | | | | | | | | | | | | | | | | | | | | | | | | | | | | | |
| 20 | 86-1715501 | Nut flywheel | PCS </tr <tr> <td>21</td> <td>86-1704504</td> <td>Gear ring of flywheel(for starting motor)</td> <td>PCS</td> <td>1</td> </tr> <tr> <td>22</td> <td>1704705</td> <td>Sleeve of fuel pump tappet</td> <td>PCS</td> <td>1</td> </tr> <tr> <td>23</td> <td>86-1705103</td> <td>Push rod</td> <td>PCS</td> <td>2</td> </tr> <tr> <td>24</td> <td>86-171501</td> <td>Tappet</td> <td>PCS</td> <td>2</td> </tr> <tr> <td>25</td> <td>86-1710504</td> <td>Key4 x 14{GB1096-79}</td> <td>PCS</td> <td>2</td> </tr> <tr> <td>26</td> <td>86-1701000</td> <td>Camshaft</td> <td>PCS</td> <td>1</td> </tr> <tr> <td>27</td> <td>86-1701103</td> <td>Camshaft timing gear</td> <td>PCS</td> <td>1</td> </tr> | 21 | 86-1704504 | Gear ring of flywheel(for starting motor) | PCS | 1 | 22 | 1704705 | Sleeve of fuel pump tappet | PCS | 1 | 23 | 86-1705103 | Push rod | PCS | 2 | 24 | 86-171501 | Tappet | PCS | 2 | 25 | 86-1710504 | Key4 x 14{GB1096-79} | PCS | 2 | 26 | 86-1701000 | Camshaft | PCS | 1 | 27 | 86-1701103 | Camshaft timing gear | PCS | 1 |
| 21 | 86-1704504 | Gear ring of flywheel(for starting motor) | PCS | 1 | | | | | | | | | | | | | | | | | | | | | | | | | | | | | | | | | | |
| 22 | 1704705 | Sleeve of fuel pump tappet | PCS | 1 | | | | | | | | | | | | | | | | | | | | | | | | | | | | | | | | | | |
| 23 | 86-1705103 | Push rod | PCS | 2 | | | | | | | | | | | | | | | | | | | | | | | | | | | | | | | | | | |
| 24 | 86-171501 | Tappet | PCS | 2 | | | | | | | | | | | | | | | | | | | | | | | | | | | | | | | | | | |
| 25 | 86-1710504 | Key4 x 14{GB1096-79} | PCS | 2 | | | | | | | | | | | | | | | | | | | | | | | | | | | | | | | | | | |
| 26 | 86-1701000 | Camshaft | PCS | 1 | | | | | | | | | | | | | | | | | | | | | | | | | | | | | | | | | | |
| 27 | 86-1701103 | Camshaft timing gear | PCS | 1 | | | | | | | | | | | | | | | | | | | | | | | | | | | | | | | | | | |



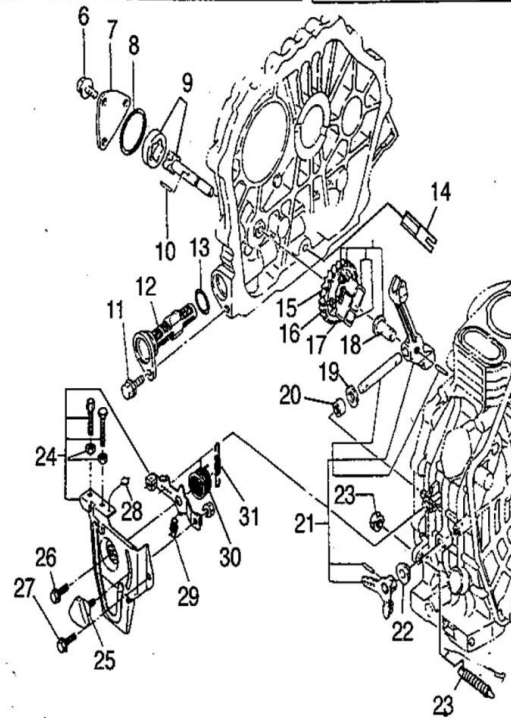
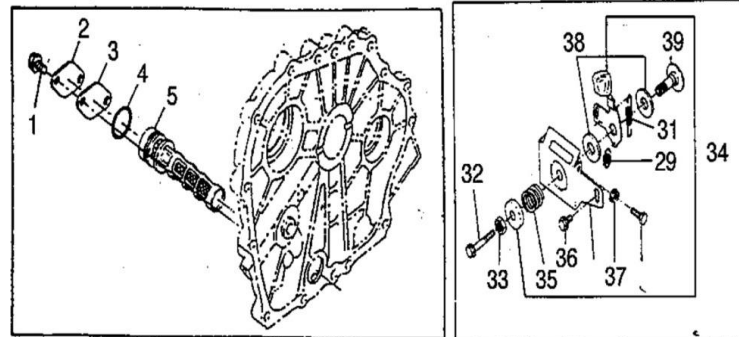
4. Fuel system

| No. | Code | English Name | Unit | Qty |
|-----|------------|--|------|-----|
| 1 | 1710745 | * Bolt M8*45(GB5787-86) | PCS | 1 |
| 2 | 17185 | Fastened bolt for upper bracket of fuel tank | PCS | 1 |
| 3 | 1710208 | Flat washer 8(GB97.1 -85) | PCS | 1 |
| 4 | 86-1705803 | Upper bracket of fuel tank | PCS | 1 |
| 5 | 1705301 | Injector | PCS | 1 |
| 6 | 17212 | Fuel leak-off pipe connecting | PCS | 2 |
| 7 | 17192 | Fuel leak-off pipe | PCS | 1 |
| 8 | 17184 | Shock absorbing pad of fuel tank | PCS | 4 |
| 9 | 86-1704203 | Fuel tank | PCS | 1 |
| 10 | 17212 | Fuel pipe connecting | PCS | 2 |
| 11 | 17147 | Fuel pipe | PCS | 1 |
| 12 | 17151 | Gasket of fuel draining M6(GB6177-86) | PCS | 1 |
| 13 | 17152 | Cock offuel fraining(fuel pipe) | PCS | 1 |
| 14 | 17183 | Lower bracket of fuel tank | PCS | 1 |
| 15 | 1710714 | BoltM6*14(GB5787-86) | PCS | 2 |
| 16 | 1710106 | NutM6(GB6177-86) | PCS | 2 |
| 17 | 1710206 | Flat washer6(G B97.1 -85) | PCS | 1 |
| 18 | 17150 | Fuel tank cock Assem | PCS | 1 |
| 19 | 17154 | Flat washer | PCS | 1 |
| 20 | 1719403 | Clamp of fuel oil pipe | PCS | 2 |
| 21 | 17189 | Fuel oil pipe | PCS | 1 |
| 22 | 17148 | Gasket of fuel oil filter | PCS | 1 |
| 23 | 86-1704303 | Fitter element Assem | PCS | 1 |
| 24 | 86-1704700 | Fuel injection pump | PCS | 1 |
| 25 | 86-1705603 | High pressure fuel pipe | PCS | 1 |
| 26 | 17146 | Fuel oil filter | PCS | 1 |
| 27 | 17153 | Fuel take cap Assem | PCS | 1 |
| 28 | 1705302 | Cap of fuel injector | PCS | 1 |



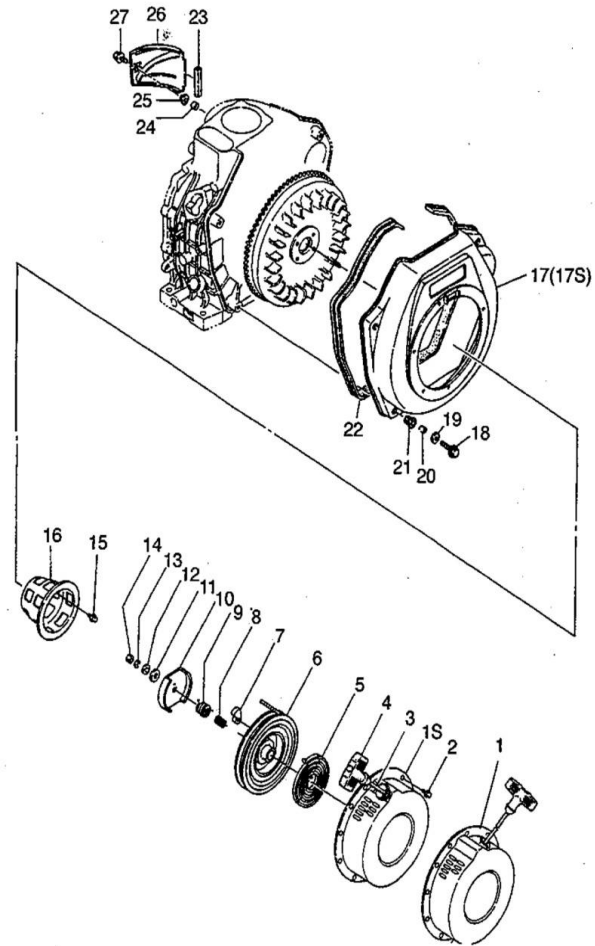
5. Lubrication and rotating speed control system

| No. | Code | English Name | Unit | Qty |
|-----|---------------|--------------------------|------|-----|
| 1 | 78/86-1711316 | Seal ring 20*2.65 | PCS | 1 |
| 2 | 1710712 | Bolt M6*12(GB5787-86) | PCS | 3 |
| 3 | 17022 | Oil pump cover | PCS | 1 |
| 4 | 1711334 | Seal ring 20*2.5 | PCS | 1 |
| 5 | 86-1713501 | Oil pump | PCS | 1 |
| 6 | 1711103 | Pin 3*16(GB119-82) | PCS | 1 |
| 7 | 78/86-1710714 | Bolt M6*14(GB5789-86) | PCS | 1 |
| 8 | 78/86-1702103 | Oil filter element | PCS | 1 |
| 9 | 78/86-1711316 | Seal ring 20*2.65 | PCS | 1 |
| 10 | 78/86-17080 | Oil guide | PCS | 1 |
| 11 | 86-1702302 | Driving gear of oil pump | PCS | 1 |
| 12 | 17132 | Pin of fly block | PCS | 1 |
| 13 | 17131 | Fly block | PCS | 2 |
| 14 | 17234 | Tappet of governor fork | PCS | 2 |
| 15 | 17125 | Gasket of lever shaft | PCS | 1 |
| 16 | 1710009 | Bearing 7941/8(GB290-64) | PCS | 1 |
| 17 | 86-1700503 | Fork lever assembly | PCS | 1 |
| 18 | 17214 | Wasker | PCS | 1 |
| 19 | 86-1712601 | Parts of fuel controller | PCS | 1 |
| 20 | 17164 | Handle bracket | PCS | 1 |
| 21 | 17167 | Speed-control lever | PCS | 1 |
| 22 | 1710714 | Bolt M6*14(GB5787-86) | PCS | 2 |
| 23 | 1710714 | Bolt M6*18(GB5787-86) | PCS | 1 |
| 24 | A002 | Lead seal | PCS | 1 |
| 25 | 17612 | Return spring II | PCS | 1 |
| 26 | 17161 | Return spring I | PCS | 1 |
| 27 | 86-1716001 | Speed-control spring | PCS | 1 |
| 28 | 1710645 | Bolt M6*45(GB6172-86) | PCS | 1 |
| 29 | 1710111 | Nut M10*1.25 | PCS | 1 |
| 30 | 1706701 | FG partsof lever | PCS | 1 |
| 31 | 1706901 | FG gornor spring | PCS | 1 |
| 32 | 1710714 | Bolt M6*14(GB5789-86) | PCS | 1 |
| 33 | 1710106 | Nut M6(GB39-88) | PCS | 1 |
| 34 | 1716801 | Washer | PCS | 2 |
| 35 | 1730720 | Handle shaft | PCS | 1 |



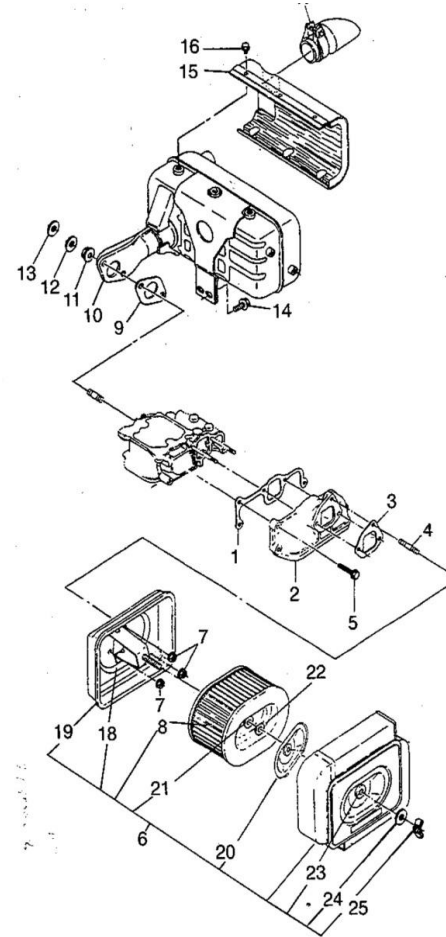
6. Cooling and Recoil starting system

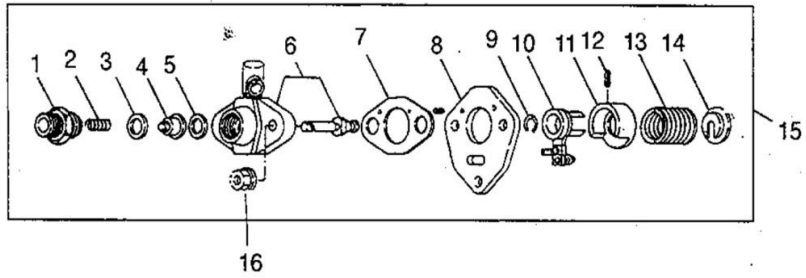
| No. | Code | English Name | Unit | Qty |
|-----|---------------|---|------|-----|
| 1 | 86-1703404 | Case Assem | PCS | 1 |
| 2 | 1710708 | bolt M6*8(G B5787-86) | PCS | 4 |
| 3 | 86-1703503 | Starting rope | PCS | 1 |
| 4 | 86-1703802 | Starting handle | PCS | 1 |
| 5 | 86-1703303 | Flat spriac spring | PCS | 1 |
| 6 | 86-1703203 | Reel | PCS | 1 |
| 7 | 78/86-1704005 | Starting claw | PCS | 2 |
| 8 | 78/86-1721801 | Compressed spring | PCS | 1 |
| 9 | 78/86-1721901 | Torque spring | PCS | 1 |
| 10 | 78/86-1704006 | Plate of starting claw | PCS | 1 |
| 11 | 78/86-1703902 | Friction plate | PCS | 1 |
| 12 | 78/86-1703803 | Gasket of friction plate | PCS | 1 |
| 13 | 1710306 | Spring wasger | PCS | 1 |
| 14 | 1710106 | Nut M6(GB6170-86) | PCS | 1 |
| 15 | 1710712 | Bolt M6*12(GB5789-86) | PCS | 3,4 |
| 16 | 86-1705703 | Starter | PCS | 1 |
| 17 | 86-1704105 | Wind leading case welded | PCS | 1 |
| 18 | 86-1710622 | bolt M6*22(G B5787-86) | PCS | 5 |
| 19 | 86-1710207 | Washer6(GB90-85) | PCS | 5 |
| 20 | 86-17145 | Collar | PCS | 5 |
| 21 | 86-17143 | shock absorber | PCS | 5 |
| 22 | 17144 | pieces of shock pads | PCS | 1 |
| 23 | 78/86-17127 | shock isolation piece of wind leading plate | PCS | 1 |
| 24 | 78/86-17129 | collar | PCS | 1 |
| 25 | 78/86-17128 | Pad | PCS | 1 |
| 26 | 86-1700403 | Wind leading plate | PCS | 1 |
| 27 | 86-1710614 | bolt M6*82(shaped piece) | PCS | 1 |



7. Air filter and muffler system

| No. | Code | English Name | Unit | Qty |
|-----|---------------|--------------------------------------|------|-----|
| 1 | 86-1703103 | Gasket of intake pipe | PCS | 1 |
| 2 | 86-1703003 | Intake pipe | PCS | 1 |
| 3 | 86-1717501 | Gasker of air cleaner | PCS | 3 |
| 4 | 17137 | Bolt | PCS | 1 |
| 5 | 1710722 | Shaped bolt M6*22(GB5789-86) | PCS | 1 |
| 6 | 86-1717401 | Air filter assembly | PCS | 1 |
| 7 | 1710103 | Nut M6(GB6177-86) | PCS | 1 |
| 8 | 86-1717601 | Air filter element | PCS | 1 |
| 9 | 86-1718601 | Gasket of muffler | PCS | 1 |
| 10 | 86-1705403 | Muffler assembly | PCS | 1 |
| 11 | 1710208 | Flat washer08 | PCS | 2 |
| 12 | 1710308 | Spring washer08 | PCS | 2 |
| 13 | 1710108 | Nut M8(GB6170-86) | PCS | 1 |
| 14 | 78/86-1710714 | Bolt M8*14(GB5789-86) | PCS | 2 |
| 15 | 86-1705503 | Screen cover of nuffler | PCS | 1 |
| 16 | 1710708 | Bolt M6*14(GB5789-86) | PCS | 1 |
| 17 | 86-1705406 | Connector | PCS | 1 |
| 18 | 86-1718002 | Sealing ring II of shock proof | PCS | 1 |
| 19 | 86-1718003 | Air cleaner Bottom Case Assem | PCS | 1 |
| 20 | 86-1718001 | Sealing ring I of shock proof | PCS | 1 |
| 21 | 86-1718101 | Shock absorbor of air filter | PCS | 1 |
| 22 | 86-1710114 | Collar(G B6177-86) | PCS | 1 |
| 23 | 86-1720106 | Shock absorber of air filter(aquare) | PCS | 1 |
| 24 | 171177 | Washer | PCS | 1 |
| 25 | 86-1710109 | Butterfly nut MS | PCS | 1 |





- | | |
|----------------------------------|--------------------------------|
| 1. Delivery holder | 9. Circlip |
| 2. Delivery spring | 10. Control lever Assem |
| 3. Delivery gasket | 11. Spring seat I |
| 4. Delivery valve | 12. Pin of sleeve |
| 6. Plunger | 13. Fuel injecting pump |
| 7. Adjusting gasket | 14. Fuel injection pump spring |
| 8. Connecting plate of pump body | 15. Fuel pump assembly |
| | 16. Nut M6 |