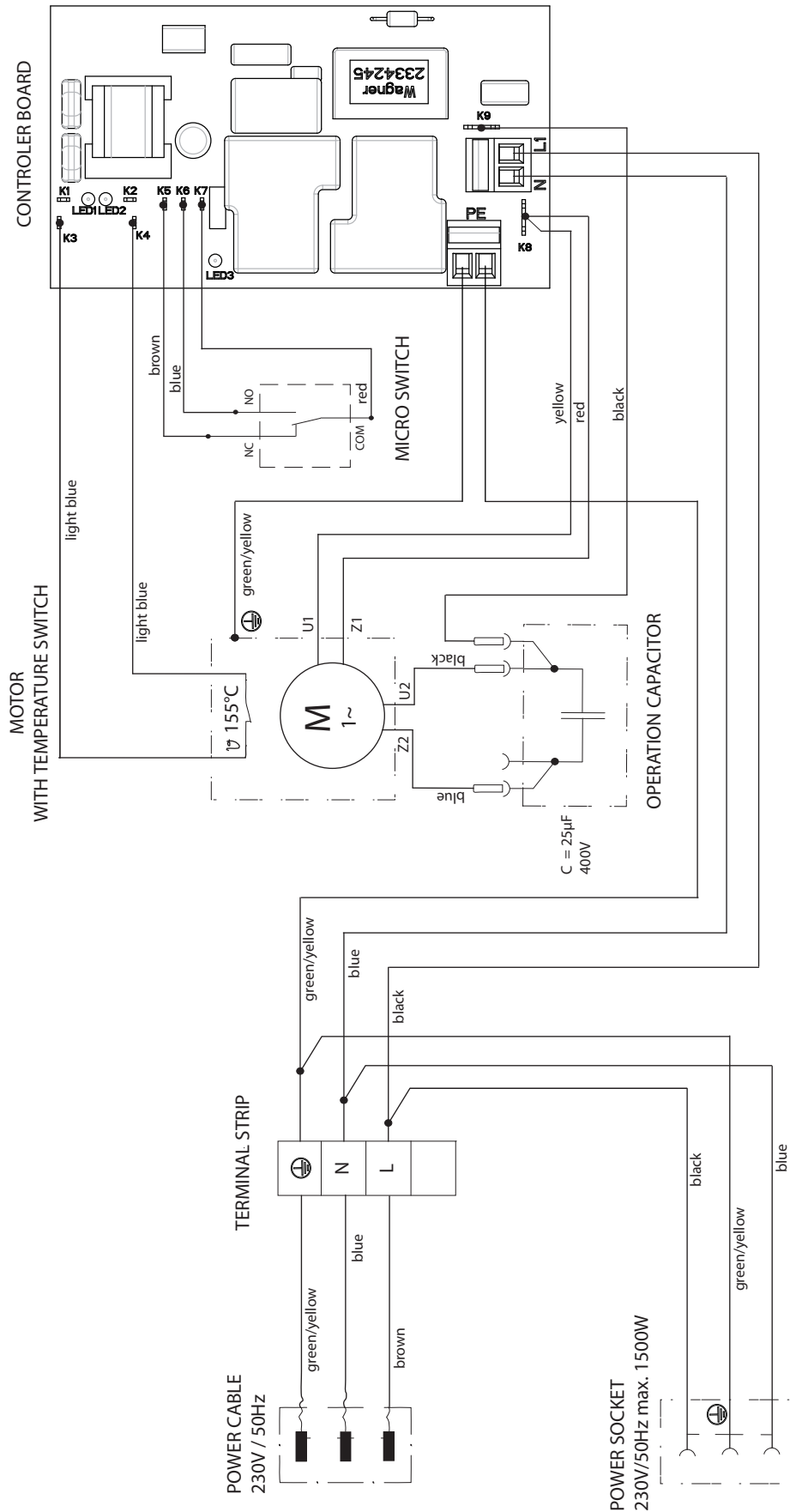
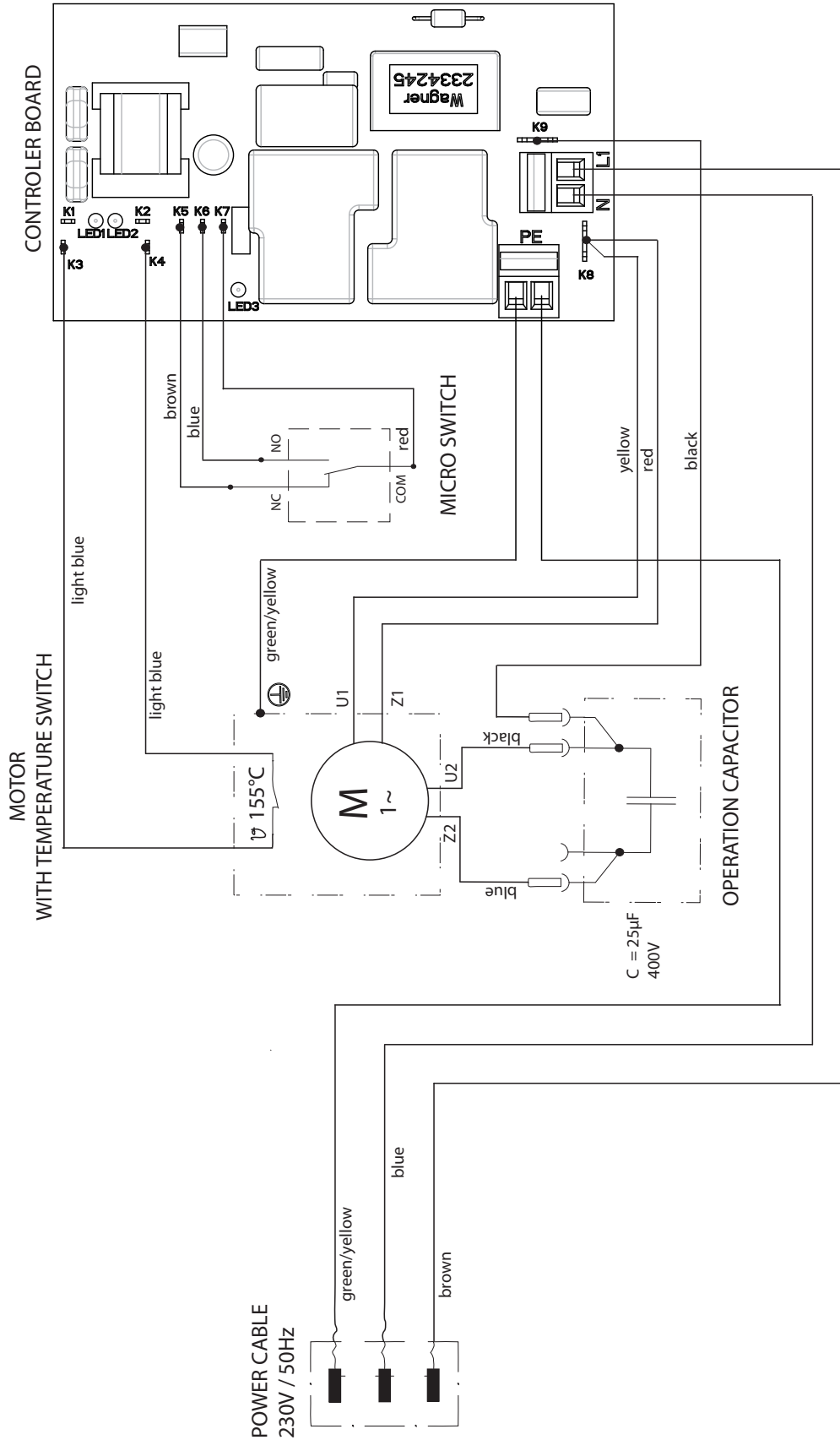


10.7 CONNECTION DIAGRAM

A) SUPER FINISH 23 PLUS WITH SOCKET



B) SUPER FINISH 23 PLUS

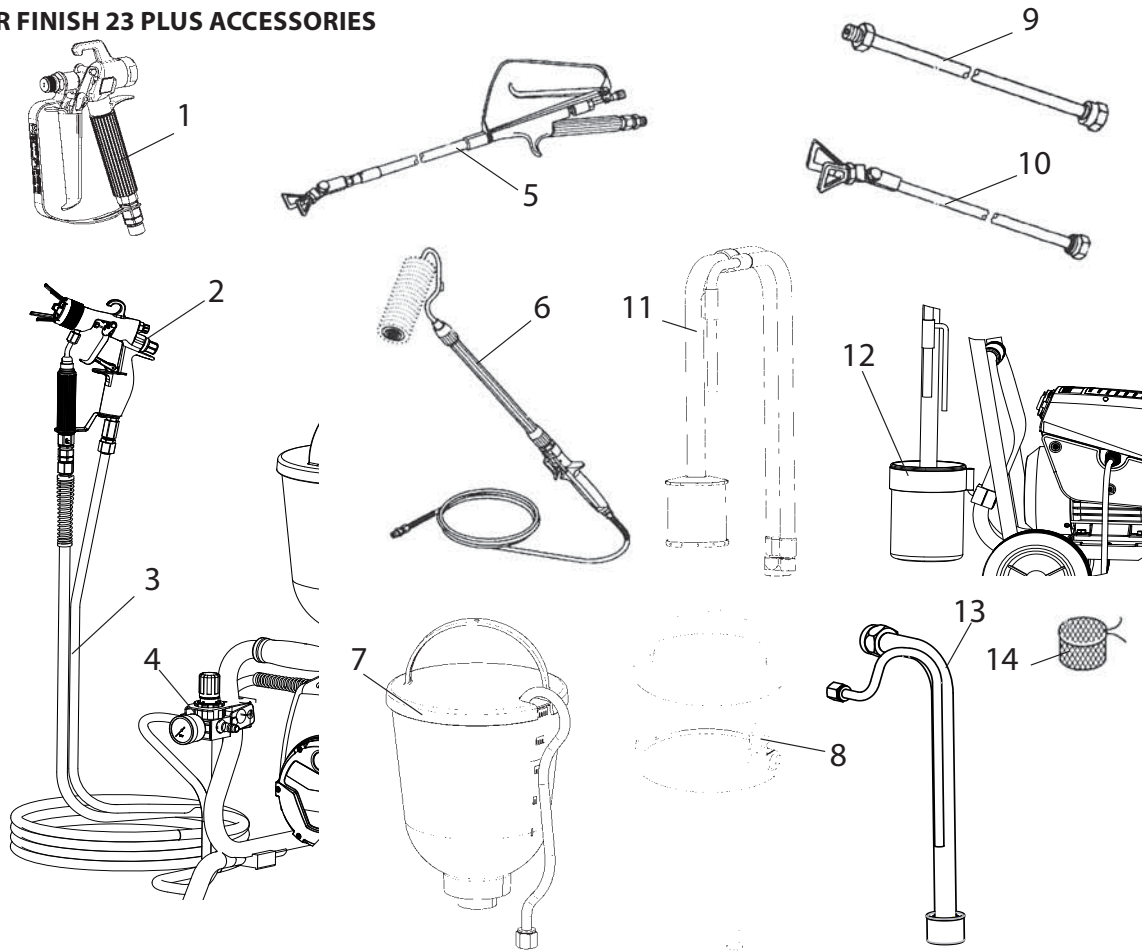


10.8 REMEDY IN CASE OF FAULTS

TYPE OF MALFUNCTION	WHAT ELSE?	POSSIBLE CAUSE	MEASURES FOR ELIMINATING THE MALFUNCTION
Unit does not start	Multifunction switch can not switched on	No voltage applied	Check voltage supply
		Unit fuse has triggered	Let the motor cool down
		Multi-function switch not set back previously to „0“	Set multi-function switch to „0“ and then switch back on
Unit does not suck in	Air bubbles do not exit at the return hose	Inlet valve clogged	Press the inlet valve button until the stop is reached several times by hand
		Inlet/outlet valve soiled / foreign bodies (e.g. threads) drawn in / worn	Remove the valves and clean then (-> refer to Section Pkt.10.2/10.3) / replace worn parts
		Pressure control valve turned down completely	Turn the pressure control valve to the right until the stop is reached
	Air bubbles exit from the return hose	Unit is sucking in outside air	Check: Suction system tightened properly? Cleaning connection (if available) at rigid suction tube screwed tight and not leaking? Inlet valve button leaky? -> Replace wiper and O-ring (-> refer to Section 10.1) The red entry is missing in the coating material entrance (-> see 4.1)
Unit does not generate pressure	Unit has sucked in	Air in the oil circuit	Bleed the oil circuit in the unit by turning the pressure control valve completely to the left (until overturning) and let it run approx. 2 – 3 min. Then turn the pressure control valve to the right and set the spraying pressure (repeat process several times, if necessary). Process is assisted by positioning the unit vertically.
	Unit reached pressure, but the pressure collapses, also at the pressure gage, during spraying.	Suction filter clogged	Check the suction filter. If necessary, clean/replace
		Paint cannot be worked in this state. Due to its properties the paint clogs the valves (inlet valve) and the delivery rate is too low.	Dilute the paint
	Unit reached pressure, but the pressure collapses during spraying. pressure gage still shows high pressure	Clogged filter do not let enough paint pass	Check/clean the (high-pressure filter) gun filter
		Tip clogged	Clean the tip (-> refer to Section 10.1)
	Unit does not generate the max. pressure possible. Paint nevertheless exits at the return hose.	Relief valve defective	Please contact Wager Customer Service

11 SPARE PARTS AND ACCESSORIES

11.1 SUPER FINISH 23 PLUS ACCESSORIES



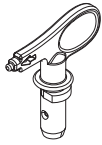
Accessories:

ITEM	DESIGNATION	ORDER NO.
1	Spray gun AG-14 (stainless steel)	0502 166
	Spray gun AG-08 (aluminium made)	0296 388
2	AirCoat spray gun AC 4600 (blue)	0394 156
3	Double hose	9984 564
	HP hose DN-3, 7.5 m	9984 583
4	AirCoat-controller set	0340 250
5	Pole gun Length 120cm; G thread 7/8"	0296 441
	Length 120cm; F thread 11/16"	0296 443
	Length 200cm; G thread 7/8"	0296 442
	Length 200cm; F thread 11/16"	0296 444
6	Inline Roller	0345 010
7	Hopper 5l	0341 265
8	Hopper cleaning ring (TopClean)	0340 930

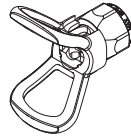
ITEM.	DESIGNATION	ORDER NO.
9	Tip extension Length 15 cm	0556 051
	Length 30 cm	0556 052
	Length 45 cm	0556 053
	Length 60 cm	0556 054
10	Tip extension with Sleuable knee joint Length 100 cm	0096 015
	Length 200 cm	0096 016
	Length 300 cm	0096 017
11	Suction system (flexible) for dispersionen	0034 630
12	Cleaning container for suction system with holder (only for flexible suction system)	2343 481
13	Suction system (rigid) for dispersionen	2342 879
14	Filter bag, mesh width 0,3 mm	0097 531



Airless tip table



Wagner TradeTip 3 tip
up to 270 bar
(27 MPa)



without tip
F thread (11/16 - 16 UN)
for Wagner spray guns
Order no. 0289391

without tip
G thread (7/8 - 14 UN)
for Graco/Titan spray guns
Order no. 0289390



All of the tips in the table below are supplied together with the appropriate gun filter.

Application	Tip marking	Spray angle	Bore inch / mm	Spraying width mm 1)	Gun filter	Order no.
Water-thinnable and solvent-based paints and varnishes, oils, separating agents	107	10°	0.007 / 0.18	100	red	0553107
	207	20°	0.007 / 0.18	120	red	0553207
	307	30°	0.007 / 0.18	150	red	0553307
	407	40°	0.007 / 0.18	190	red	0553407
	109	10°	0.009 / 0.23	100	red	0553109
	209	20°	0.009 / 0.23	120	red	0553209
	309	30°	0.009 / 0.23	150	red	0553309
	409	40°	0.009 / 0.23	190	red	0553409
	509	50°	0.009 / 0.23	225	red	0553509
	609	60°	0.009 / 0.23	270	red	0553609
Synthetic-resin paints PVC paints	111	10°	0.011 / 0.28	100	red	0553111
	211	20°	0.011 / 0.28	120	red	0553211
	311	30°	0.011 / 0.28	150	red	0553311
	411	40°	0.011 / 0.28	190	red	0553411
	511	50°	0.011 / 0.28	225	red	0553511
	611	60°	0.011 / 0.28	270	red	0553611
Paints, primers Fillers	113	10°	0.013 / 0.33	100	red	0553113
	213	20°	0.013 / 0.33	120	red	0553213
	313	30°	0.013 / 0.33	150	red	0553313
	413	40°	0.013 / 0.33	190	red	0553413
	513	50°	0.013 / 0.33	225	red	0553513
	613	60°	0.013 / 0.33	270	red	0553613
	813	80°	0.013 / 0.33	330	red	0553813
Fillers Rust protection paints	115	10°	0.015 / 0.38	100	yellow	0553115
	215	20°	0.015 / 0.38	120	yellow	0553215
	315	30°	0.015 / 0.38	150	yellow	0553315
	415	40°	0.015 / 0.38	190	yellow	0553415
	515	50°	0.015 / 0.38	225	yellow	0553515
	615	60°	0.015 / 0.38	270	yellow	0553615
	715	70°	0.015 / 0.38	300	yellow	0553715
	815	80°	0.015 / 0.38	330	yellow	0553815
Rust protection paints Latex paints Dispersions	117	10°	0.017 / 0.43	100	white	0553117
	217	20°	0.017 / 0.43	120	white	0553217
	317	30°	0.017 / 0.43	150	white	0553317
	417	40°	0.017 / 0.43	190	white	0553417
	517	50°	0.017 / 0.43	225	white	0553517
	617	60°	0.017 / 0.43	270	white	0553617
	717	70°	0.017 / 0.43	300	white	0553717
	817	80°	0.017 / 0.43	330	white	0553817
Rust protection paints Latex paints Dispersions	219	20°	0.019 / 0.48	120	white	0553219
	319	30°	0.019 / 0.48	150	white	0553319
	419	40°	0.019 / 0.48	190	white	0553419
	519	50°	0.019 / 0.48	225	white	0553519
	619	60°	0.019 / 0.48	270	white	0553619
	719	70°	0.019 / 0.48	300	white	0553719
	819	80°	0.019 / 0.48	330	white	0553819
	919	90°	0.019 / 0.48	385	white	0553919
	Flame retardant	221	20°	0.021 / 0.53	120	white
321		30°	0.021 / 0.53	150	white	0553321
421		40°	0.021 / 0.53	190	white	0553421
521		50°	0.021 / 0.53	225	white	0553521
621		60°	0.021 / 0.53	270	white	0553621
721		70°	0.021 / 0.53	300	white	0553721
821		80°	0.021 / 0.53	330	white	0553821

1) Spray width at about 30 cm to the object and 100 bar (10 MPa) pressure with synthetic-resin paint 20 DIN seconds.

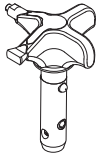


All of the tips in the table below are supplied together with the appropriate gun filter.

Application	Tip marking	Spray angle	Bore inch / mm	Spraying width mm 1)	Gun filter	Order no.
Roof coatings	223	20°	0.023 / 0.58	120	white	0553223
	323	30°	0.023 / 0.58	150	white	0553323
	423	40°	0.023 / 0.58	190	white	0553423
	523	50°	0.023 / 0.58	225	white	0553523
	623	60°	0.023 / 0.58	270	white	0553623
	723	70°	0.023 / 0.58	300	white	0553723
	823	80°	0.023 / 0.58	330	white	0553823
	Thick-film materials, Corrosion protection Spray filler	225	20°	0.025 / 0.64	120	white
325		30°	0.025 / 0.64	150	white	0553325
425		40°	0.025 / 0.64	190	white	0553425
525		50°	0.025 / 0.64	225	white	0553525
625		60°	0.025 / 0.64	270	white	0553625
725		70°	0.025 / 0.64	300	white	0553725
825		80°	0.025 / 0.64	330	white	0553825
227		20°	0.027 / 0.69	120	white	0553227
327		30°	0.027 / 0.69	150	white	0553327
427		40°	0.027 / 0.69	190	white	0553427
527		50°	0.027 / 0.69	225	white	0553527
627		60°	0.027 / 0.69	270	white	0553627
827		80°	0.027 / 0.69	330	white	0553827
229		20°	0.029 / 0.75	120	white	0553229
329		30°	0.029 / 0.75	150	white	0553329
429		40°	0.029 / 0.75	190	white	0553429
529		50°	0.029 / 0.75	225	white	0553529
629		60°	0.029 / 0.75	270	white	0553629
231		20°	0.031 / 0.79	120	white	0553231
331		30°	0.031 / 0.79	150	white	0553331
431		40°	0.031 / 0.79	190	white	0553431
531		50°	0.031 / 0.79	225	white	0553531
631		60°	0.031 / 0.79	270	white	0553631
731		70°	0.031 / 0.79	300	white	0553731
831		80°	0.031 / 0.79	330	white	0553831
233		20°	0.033 / 0.83	120	white	0553233
333		30°	0.033 / 0.83	150	white	0553333
433		40°	0.033 / 0.83	190	white	0553433
533		50°	0.033 / 0.83	225	white	0553533
633		60°	0.033 / 0.83	270	white	0553633
235		20°	0.035 / 0.90	120	white	0553235
335		30°	0.035 / 0.90	150	white	0553335
435		40°	0.035 / 0.90	190	white	0553435
535		50°	0.035 / 0.90	225	white	0553535
635		60°	0.035 / 0.90	270	white	0553635
735		70°	0.035 / 0.90	300	white	0553735
439		40°	0.039 / 0.99	190	white	0553439
539		50°	0.039 / 0.99	225	white	0553539
639		60°	0.039 / 0.99	270	white	0553639
Heavy duty applications		243	20°	0.043 / 1.10	120	green
	443	40°	0.043 / 1.10	190	green	0553443
	543	50°	0.043 / 1.10	225	green	0553543
	643	60°	0.043 / 1.10	270	green	0553643
	445	40°	0.045 / 1.14	190	green	0553445
	545	50°	0.045 / 1.14	225	green	0553545
	645	60°	0.045 / 1.14	270	green	0553645
	451	40°	0.051 / 1.30	190	green	0553451
	551	50°	0.051 / 1.30	225	green	0553551
	651	60°	0.051 / 1.30	270	green	0553651
	252	20°	0.052 / 1.32	120	green	0553252
	455	40°	0.055 / 1.40	190	green	0553455
	555	50°	0.055 / 1.40	225	green	0553555
	655	60°	0.055 / 1.40	270	green	0553655
	261	20°	0.061 / 1.55	120	green	0553261
	461	40°	0.061 / 1.55	190	green	0553461
	561	50°	0.061 / 1.55	225	green	0553561
	661	60°	0.061 / 1.55	270	green	0553661
	263	20°	0.063 / 1.60	120	green	0553263
	463	40°	0.063 / 1.60	190	green	0553463
	565	50°	0.065 / 1.65	225	green	0553565
	665	60°	0.065 / 1.65	270	green	0553665
	267	20°	0.067 / 1.70	120	green	0553267
	467	40°	0.067 / 1.70	190	green	0553467

1) Spray width at about 30 cm to the object and 100 bar (10 MPa) pressure with synthetic-resin paint 20 DIN seconds.

2SpeedTip



The innovative changeover nozzle from WAGNER combines two nozzle cores into one nozzle.



2 Speed Tip holder
Order no. 0271065

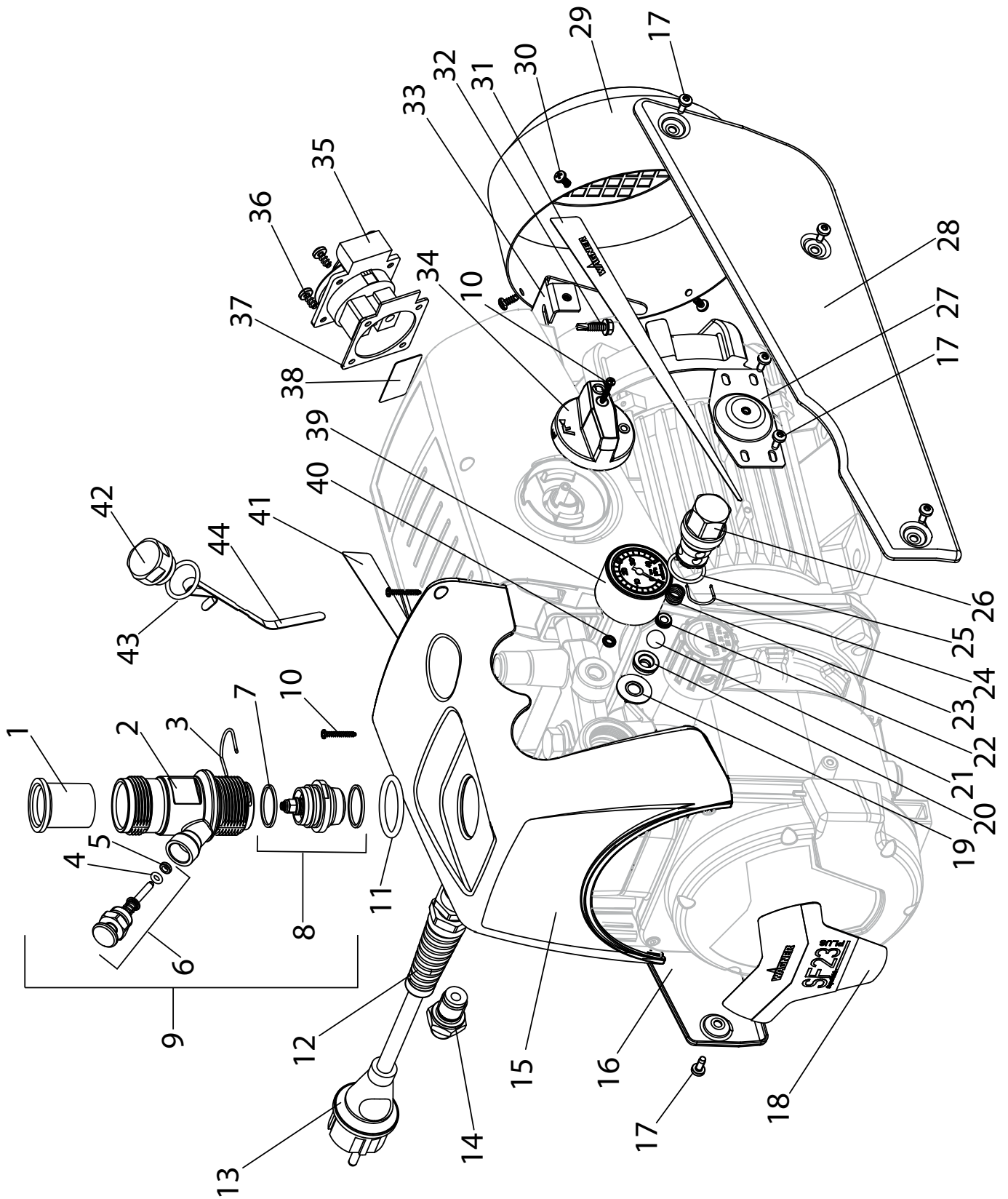
Tip table

Object size	Painting material		
	Lacquer (L)	Emulsion (D)	Filler (S)
Small		D5 Nozzles: 111 / 415 Order no. 0271 062	S5 Nozzles: 225 / 629 Order no. 0271 064
		D7 Nozzles: 113 / 417 Order no. 0271 063	
	L10 Nozzles: 208 / 510 Order no. 0271 042	D10 Nozzles: 111 / 419 Order no. 0271 045	S10 Nozzles: 527 / 235 Order no. 0271 049
Medium	L20 Nozzles: 210 / 512 Order no. 0271 043	D20 Nozzles: 115 / 421 Order no. 0271 046	S20 Nozzles: 539 / 243 Order no. 0271 050
Large	L30 Nozzles: 212 / 514 Order no. 0271 044	D30 Nozzles: 115 / 423 Order no. 0271 047	S30 Nozzles: 543 / 252 Order no. 0271 051
X-Large		D40 Nozzles: 117 / 427 Order no. 0271 048	
Recommended gun filter	red	white	-

11.2 SPARE PARTS LIST SF 23 PLUS

ITEM	ORDER-NO	DESIGNATION
1	0340 339	Inlet
2	2334 383	Inlet valve trigger housing
3	0341 336	Clasp
4	9971 486	O-ring
5	0341 316	Wiper
6	2337 033	Inlet valve trigger (incl. pos. 4, 5)
7	0341 331	Sealing ring
8	0344 700	Inlet valve (incl. pos.7 (2x))
9	2334 402	Inlet valve complete. (pos. 1,2,3,6,8)
10	0421 328	Oval head screw 3, 17x20
11	2337 138	O-ring 31.4 x 3.55
12	9952 685	Cable threaded joint
13	0261 352	Mains cable H07-RNF 3x 1.5mm ² , 6m long
14	0344 336	Double socket NPS 1/4"
15	2334 038	Cover
16	2334 044	Cover (right)
17	2315 382	Oval head screw M4x10
18	2339 570	Label SF 23 PLUS
19	0341 347	Sealing ring
20	0341 327	Outlet valve seat
21	9941 501	Ball 10
22	0253 405	Spring support ring
23	0341 326	Pressure spring
24	0341 328	Clasp
25	9971 470	O-ring 20x2
	0341 702	Outlet valve, service set (pos. 19-25)
26	2342 946	Outlet valve complete (incl. pos.19-25)
27	2334 046	Connecting plate
28	2334 042	Cover (left)
29	2337 557	Fan cover
30	9902 225	Oval head screw 3.5x9.5
31	2341 466	Label (left)
32	9903 348	Self drilling screw
33	2337 484	Connecting plate
34	2342 501	Multi-function switch
35	9950 241	Socket

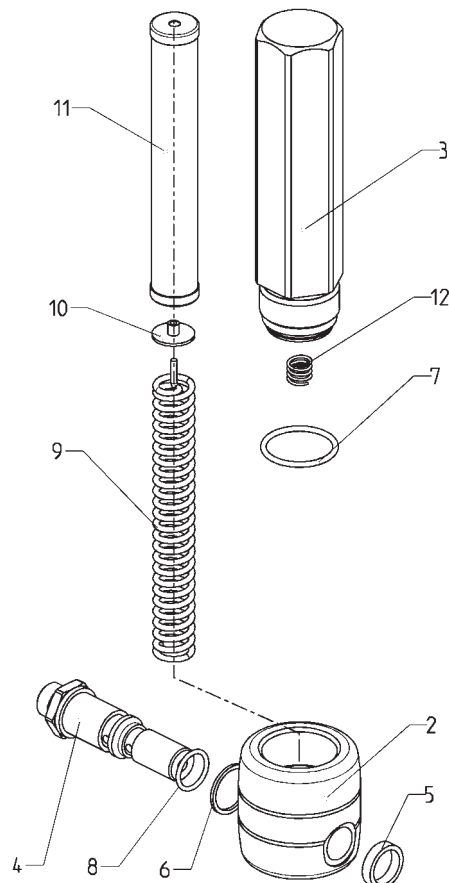
36	9905 113	Oval head screw 5x10
37	9950 242	Seal
38	2342 535	Label
39	2343 666	Pressure gauge
40	9970 218	Sealing ring
41	2341 465	Label (right)
42	0341 349	Oil cap screw
43	9971 146	O-ring
44	2362 313	Oil measuring stick



Spare parts diagram SF 23 PLUS

11.3 SPARE PARTS LIST HIGH-PRESSURE FILTER

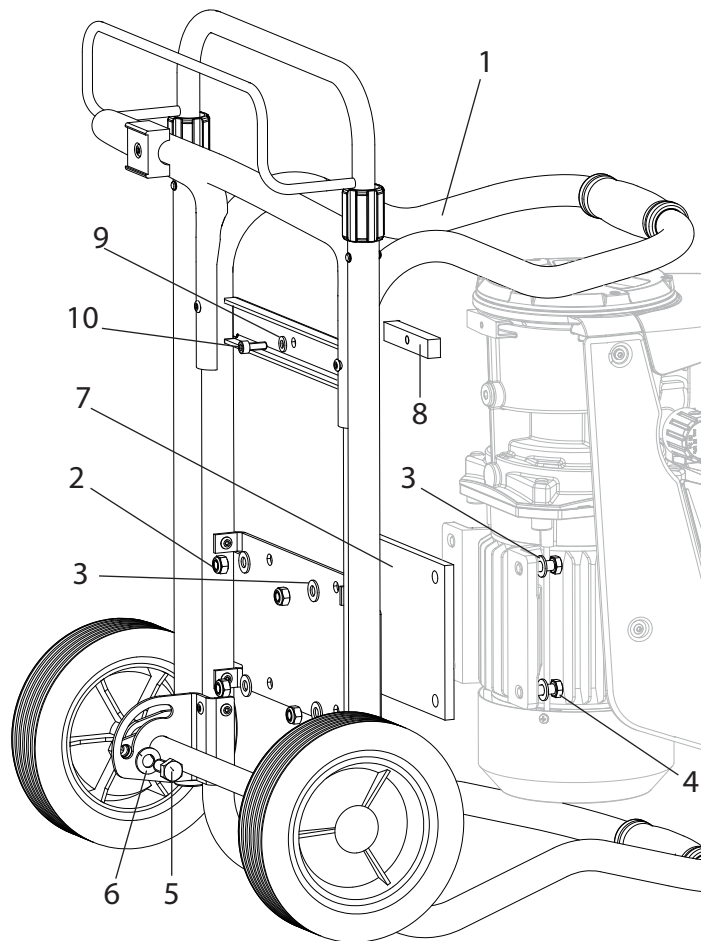
ITEM	ORDER NO.	DESIGNATION
1	0097 121	High-pressure filter HF- 01 compl.
2	0097 301	Filter block
3	0097 302	Filter housing
4	0097 303	Hollow screw
5	0097 304	Seal ring
6	9970 110	Seal ring
7	9974 027	O-ring 30x2 (PTFE)
8	9971 401	O-ring 16x2 (PTFE)
9	0508 749	Bearing spring
10	0508 603	Bearing ring
11	0508 748	Filter insert 60 meshes
	0508 450	Optional: Filter insert 100 meshes
	0508 449	Filter insert 30 meshes
12	9994 245	Pressure spring



Spare parts diagram high-pressure filter

11.4 SPARE PARTS LIST TROLLEY

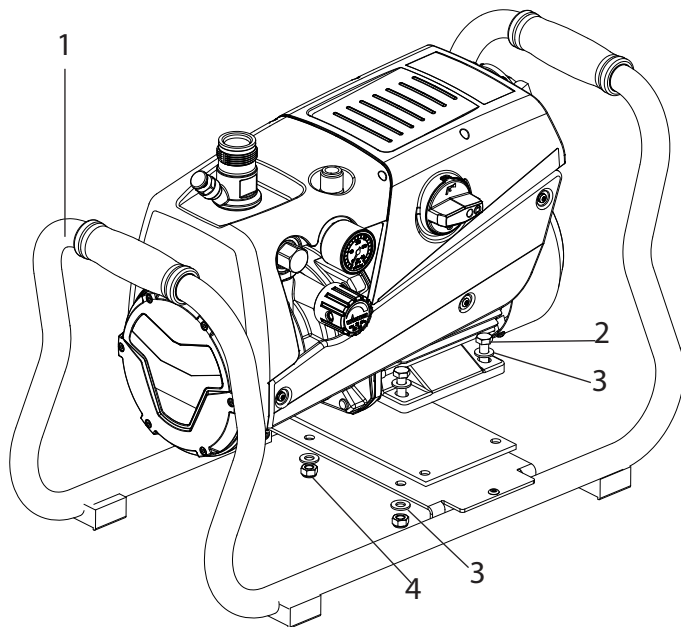
ITEM	ORDER NO.	DESIGNATION
1	2343 670	Trolley assy. (SF 23 PLUS)
2	9910 208	Hexagon nut M8
3	9920 102	Washer A 8.4
4	9900 118	Hexagon screw M8x30
5	3054 019	Hexagon screw M10x20
6	9920 106	Washer A 10.5
7	2340 954	Intermediate plate
8	2362 484	Absorber
9	9920 311	Washer A 6,4
10	9900 325	Hexagon screw M6x16



Spare parts diagram trolley SF 23 PLUS

11.5 SPARE PARTS LIST FRAME

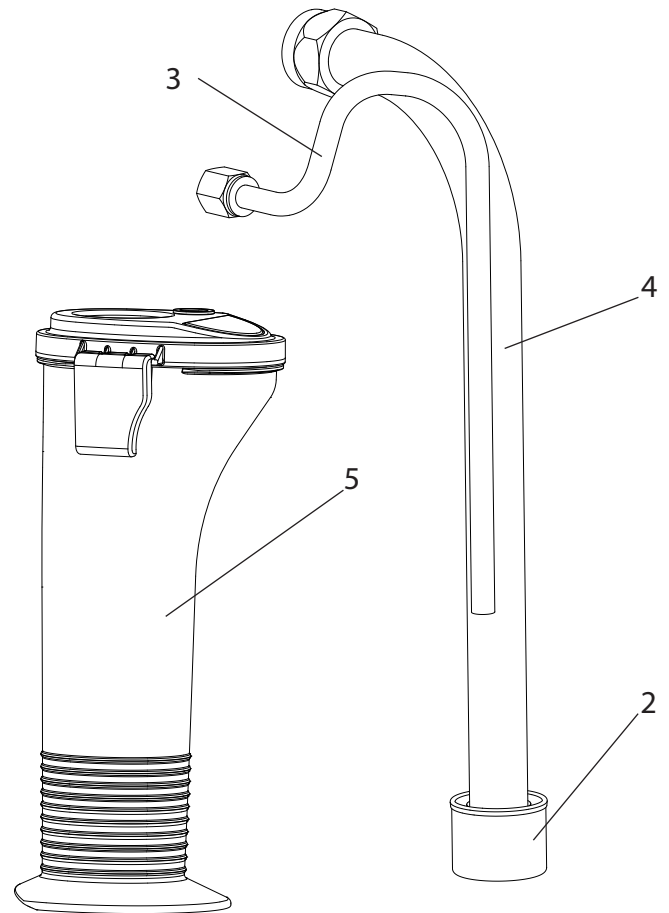
ITEM	ORDER NO.	DESIGNATION
1	2343 637	Frame complete
2	9900 118	Hexagon screw M8x30
3	9920 102	Washer A 8.4
4	9910 208	Hexagon nut M8



Spare parts diagram frame

11.6 SPARE PARTS LIST SUCTION SYSTEM (RIGID)

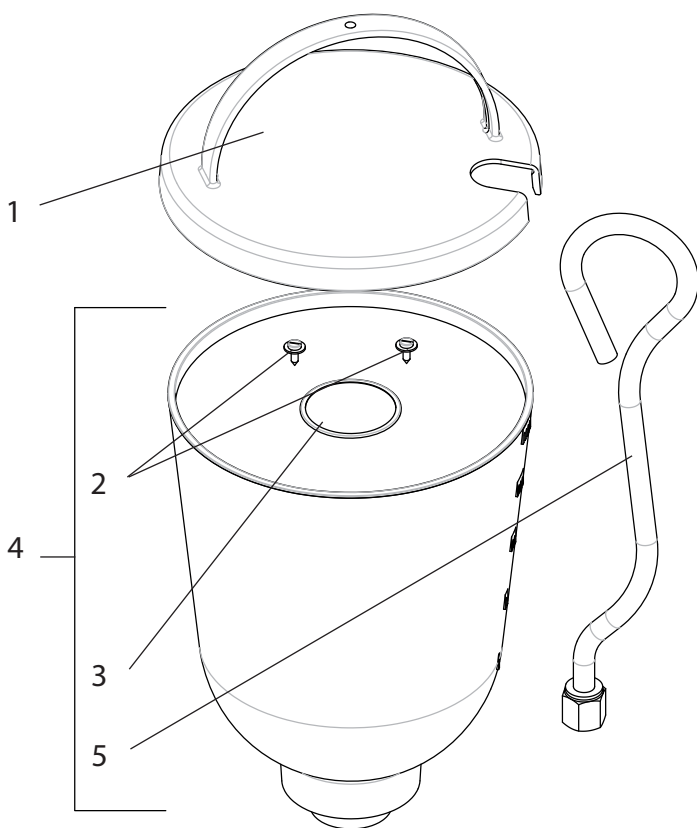
ITEM	ORDER NO.	DESIGNATION
1	2342 879	Suction system assy. (incl. pos. 2-4)
2	2323 325	Filter, mesh width 1 mm
	0250 245	Optional: Filter, mesh width 0,8 mm
3	2343 688	Return pipe
4	2342 682	Suction tube
5	2306 987	PumpRunner



Spare parts diagram suction system (rigid)

11.7 SPARE PARTS LIST HOPPER 5L

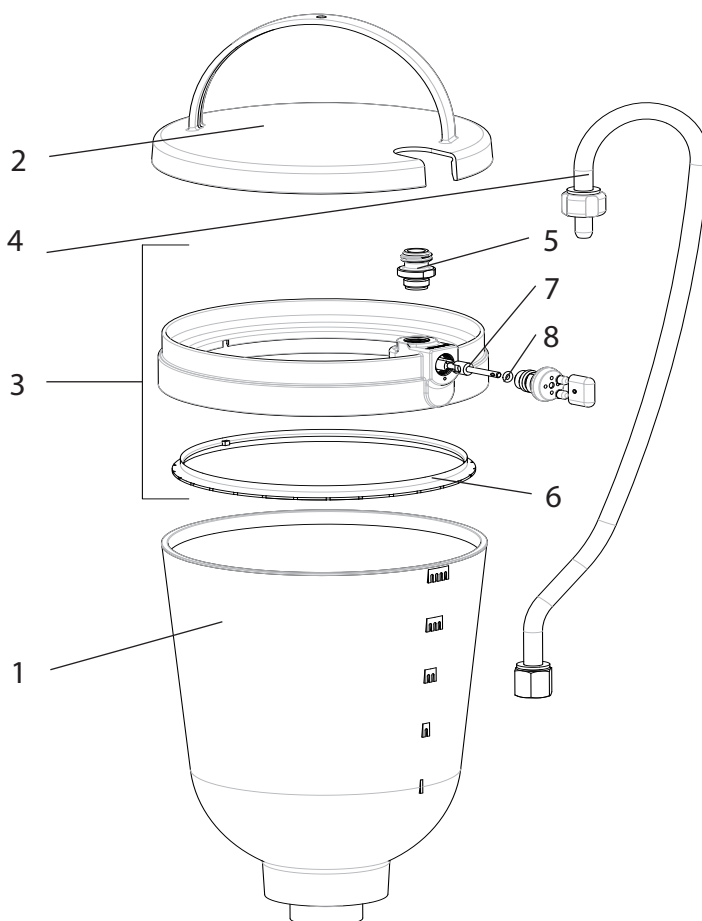
ITEM	ORDER-NO	DESIGNATION
-	0341 265	Hopper 5l, assy.
1	0340 901	Cover
2	0037 607	Filter disk, mesh width 0,8 mm
	0003 756	Optional: Filter disk, mesh width 0,4 mm
3	9902 306	Sheet metal screw 3,9x13 (2)
4	0340 904	Hopper
5	0340 908	Return pipe



Spare parts diagram hopper

11.8 SPARE PARTS LIST HOPPER WITH TOPCLEAN

ITEM	ORDER-NO	DESIGNATION
-	0341 268	Hopper 5l with TopClean, assy.
1	0340 904	Hopper 5l (filter disc see 11.7)
2	0340 901	Cover
3	0340 271	TopClean, assy.
4	0340 270	Return pipe
5	0340 499	Screwing
6	0340 466	Distributor ring
7	0340 500	Rotary valve shaft
8	9971 486	O-ring 4x2 (FFPM)



Spare parts diagram hopper with TopClean