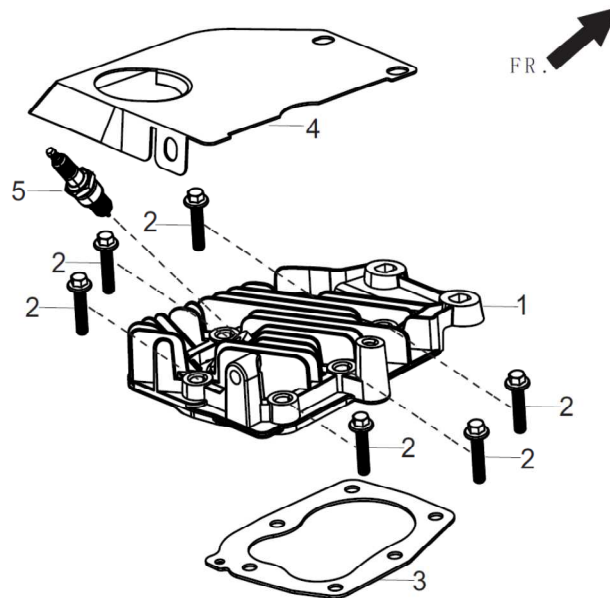


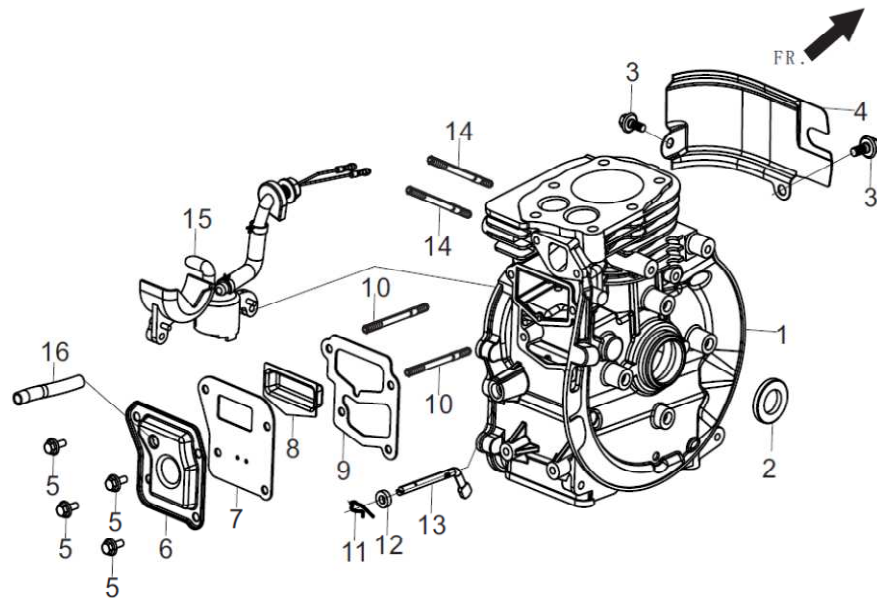
ACCESS J 8/25

FIG.1 CYLINDER HEAD / PLUG,SPARK (E04)



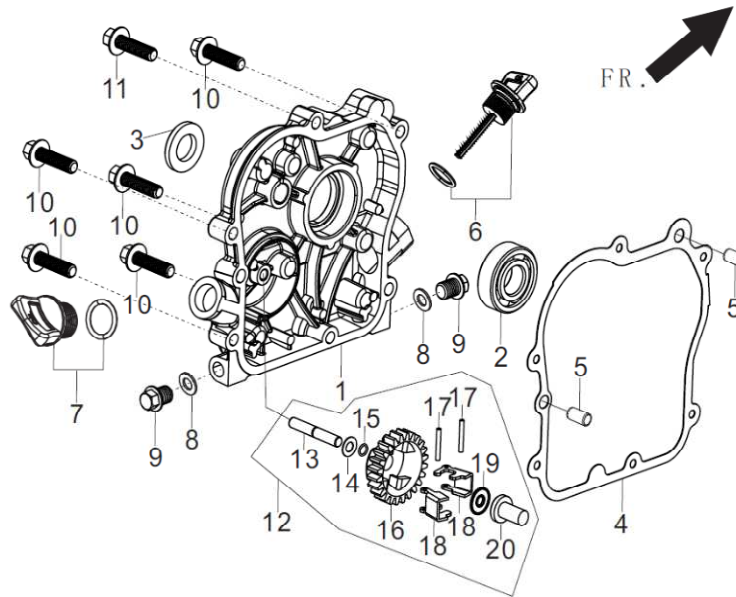
REF.NO.	PART NO	DESCRIPTION	Q'TY
E04-1	12140-Z450210-0000	HEAD SUBASSEMBLY, CYLINDER	1
E04-2	90001-0635-01	BOLT	6
E04-3	12131-Z450110-0000	GASKET, CYLINDER HEAD	1
E04-4	12014-Z450220-0000	CYLINDER HAED SHROUD	1
E04-5	30010-Z450210-0000	PLUG, SPARK	1

FIG.2 CRANKCASE ASSY (E17)



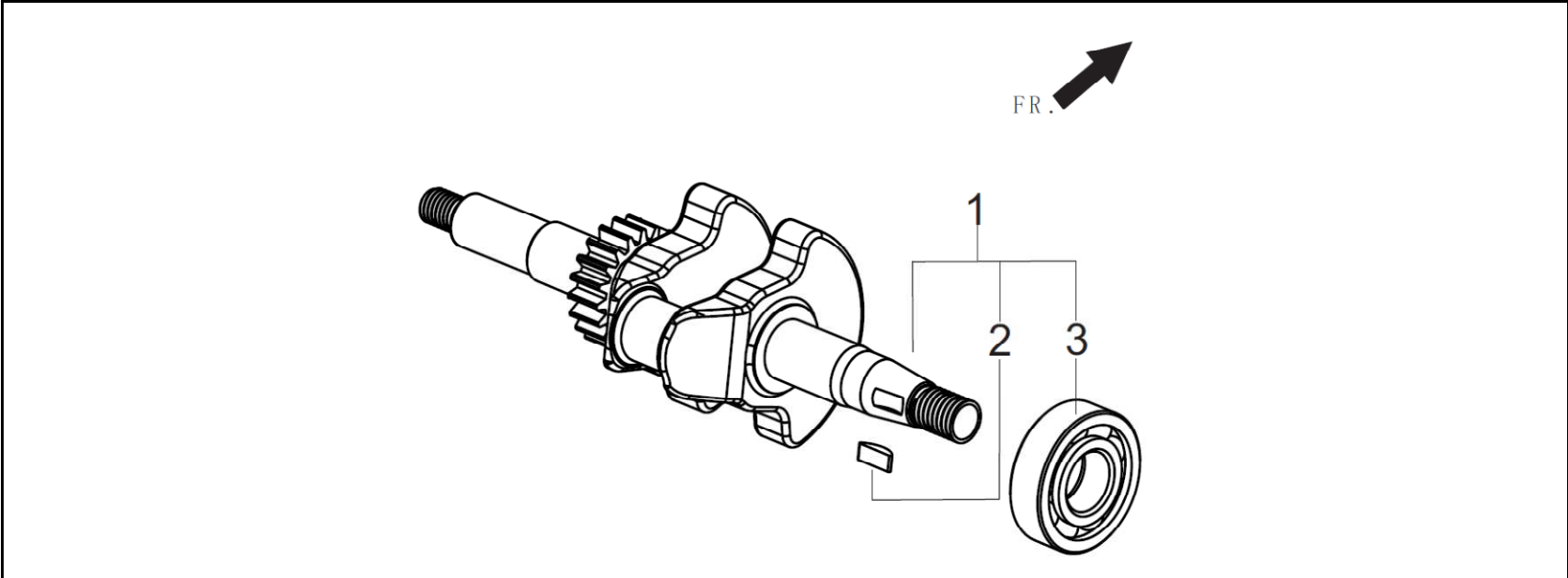
REF.NO.	PART NO	DESCRIPTION	Q'TY
E17-1	11310-Z450310-0000	CRANKCASE SUBASSEMBLY.	1
E17-2	90682-Z510110-0000	SEAL, OIL	1
E17-3	90001-0612-01	BOLT	2
E17-4	19304-Z450210-0000	SHROUD, CYLINDER BODY	1
E17-5	90001-0510-01	BOLT	4
E17-6	11302-Z450110-0000	OUTER CASE	1
E17-7	11303-Z450110-0000	WASHER	1
E17-8	11301-Z450210-0000	WASHER, INNER CASE	1
E17-9	11304-Z450110-0000	GASKET	1
E17-10	90204-Z450110-0000	STUD	2
E17-11	90501-Z450110-0000	PIN	1
E17-12	90412-Z450210-0000	WASHER , FLAT	1
E17-13	16061-Z450110-0000	ARM, GOVERNOR	1
E17-14	90203-Z450110-0000	STUD	2
E17-15	37060-Z450110-0000	SENSOR, ENGINE OIL	1
E17-16	17004-Z450110-0000	TUBE, BREATHER	1

FIG.3 COVER SUBASSEMBLY, CRANKCASE (E01)



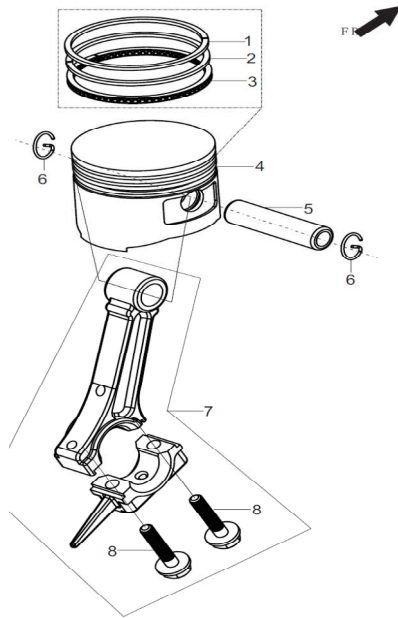
REF.NO.	PART NO	DESCRIPTION	Q'TY
E01-1	11411-Z450310-0000	COVER, CRANKCASE	1
E01-2	90548-0203-00	BEARING	1
E01-3	90682-Z510110-0000	SEAL, OIL	1
E01-4	11001-Z450120-0000	GASKET, CRANKCASE	1
E01-5	90502-0814-00	PIN	2
E01-6	15010-Z450110-Q500	DIPSTICK SUBASSEMBLY, OIL	1
E01-8	90408-Z010110-0000	WASHER , FLAT	2
E01-9	11007-Z450110-0000	BOLT, DRAIN PLUG	2
E01-10	90001-0630-01	BOLT	5
E01-11	90001-0625-01	BOLT	1
E01-12	16400-Z450110-0000	GEAR ASSY, GOVERNOR	1

FIG.4 ROD,CRANKSHAFT CONNETING (E03)



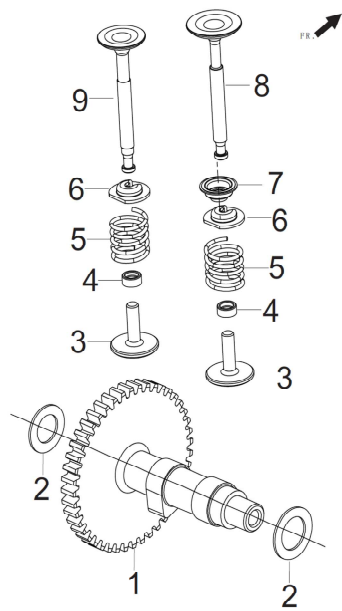
REF.NO.	PART NO	DESCRIPTION	Q'TY	
E03-1	13300-Z450310-0000	CRANKSHAFT ASSY.	1	

FIG.5 RING SET,OIL / ROD,CRANKSHAFT CONNETING (03)



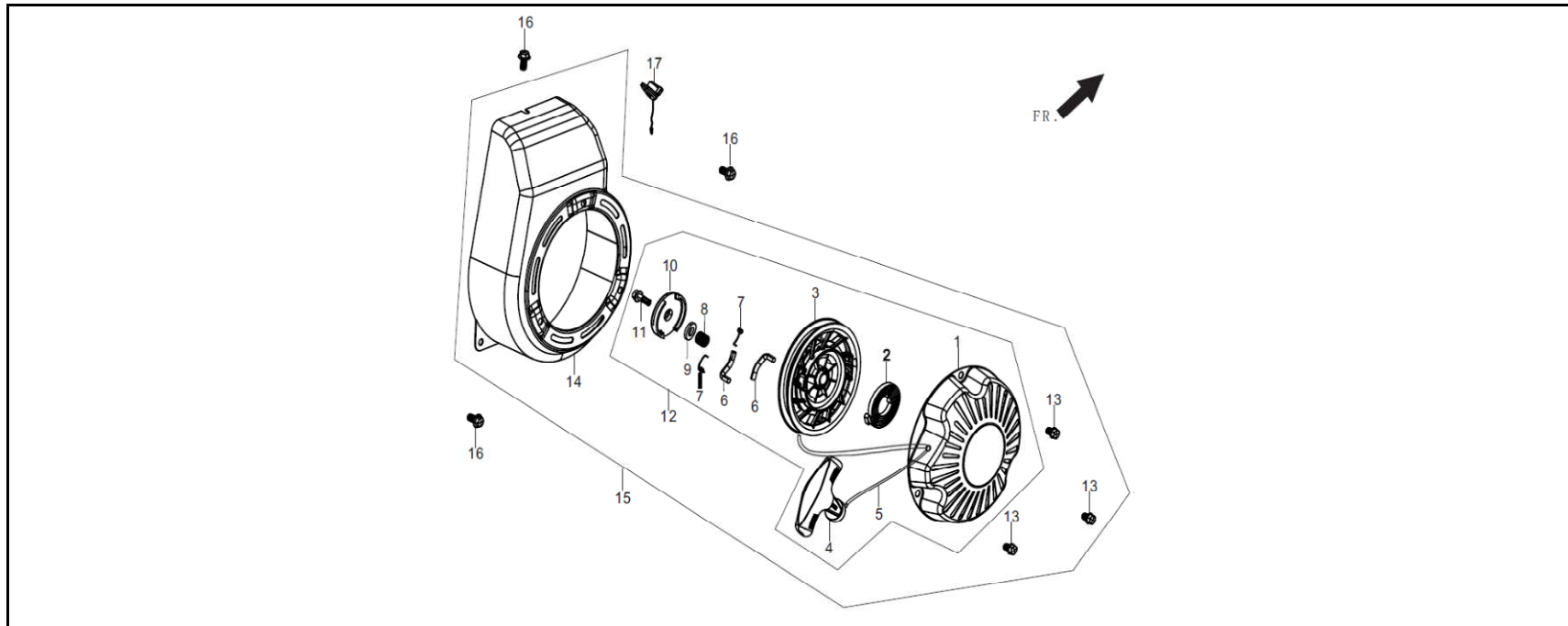
REF.NO.	PART NO	DESCRIPTION	Q'TY	
E04-1	13201-Z450110-0000	RING, THE FIRST	1	
E04-2	13202-Z450110-0000	RING, THE SECOND	1	
E04-3	13210-Z450110-0000	RING SET, OIL	1	
E04-4	13111-Z450110-0000	PISTON	1	
E04-5	13121-Z450110-0000	PIN, PISTON	1	
E04-6	13122-Z450110-0000	CLIP, PISTON PIN	2	
E04-7	13010-Z450110-0000	ROD, CONNECTING	1	

FIG.6 TRAIN, VALVE / CAMSHAFT SUBASSEMBLY (E05)



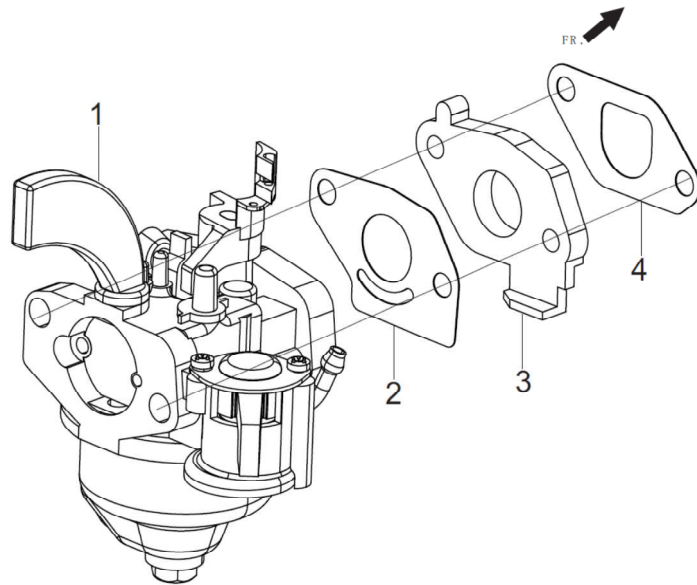
REF.NO.	PART NO	DESCRIPTION	Q'TY	
E04-1	14200-Z450110-0000	CAMSHAFT ASSY.	1	
E04-2	90412-Z450110-0000	WASHER , FLAT	2	
E04-3	14081-Z450120-0030	TAPPET, VALVE	2	
E04-4	12104-Z450110-0000	ROTATOR, VALVE	2	
E04-5	12103-Z450110-0000	SPRING, VALVE	2	
E04-6	12112-Z450110-0000	SEAT, VALVE SPRING	2	
E04-7	12101-Z450110-0000	GUIDE, SEAL	1	
E04-8	12111-Z450110-0000	VALVE, INTAKE	1	
E04-9	12121-Z450110-0000	VALVE, EXHAUST	1	

FIG.7 STARTER,RECOIL (E08)



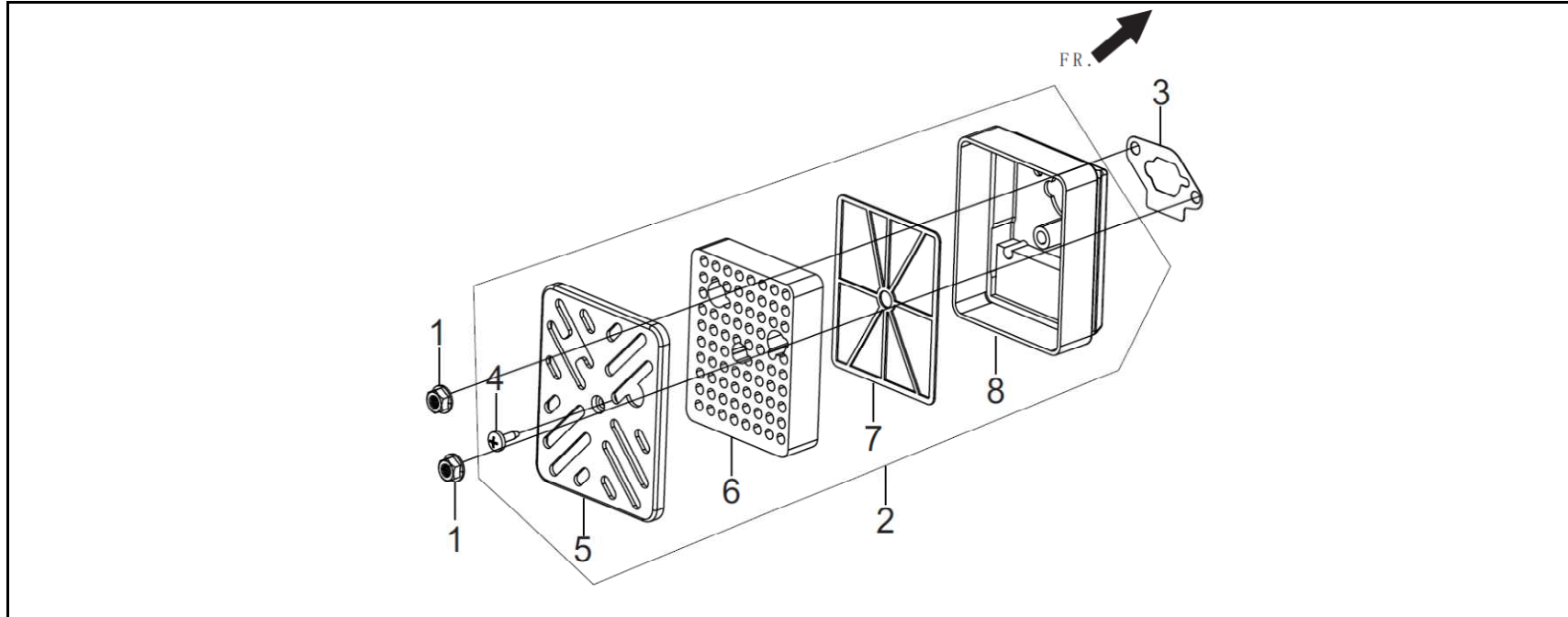
REF.NO.	PART NO	DESCRIPTION	Q'TY
E08-12	28200-Z450110-BD00	STARTER ASSY, RECOIL	1
E08-13	90001-0608-01	BOLT	3
E08-14	28110-Z450110-BD00	SHROUD	1
E08-16	90001-0612-01	BOLT	3
E08-17	35540-Z060120-Q200	SWITCH SUBASSEMBLY, STOP ENGINE	1

FIG.9 CARBURETOR ASSY (E11)



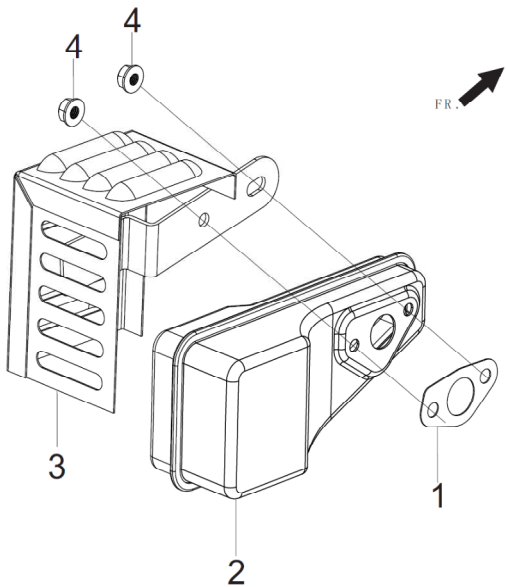
REF.NO.	PART NO	DESCRIPTION	Q'TY
E11-1	16100-Z450210-0000	CARBURETOR ASSY.	1
E11-2	16001-Z450120-0000	GASKET, CARBURETOR	1
E11-3	16003-Z450110-0000	PLATE, CARBURETOR INSULATOR	1
E11-4	17002-Z450120-0000	GASKET, INLET	1

FIG.10 CLEANER, AIR (F02)



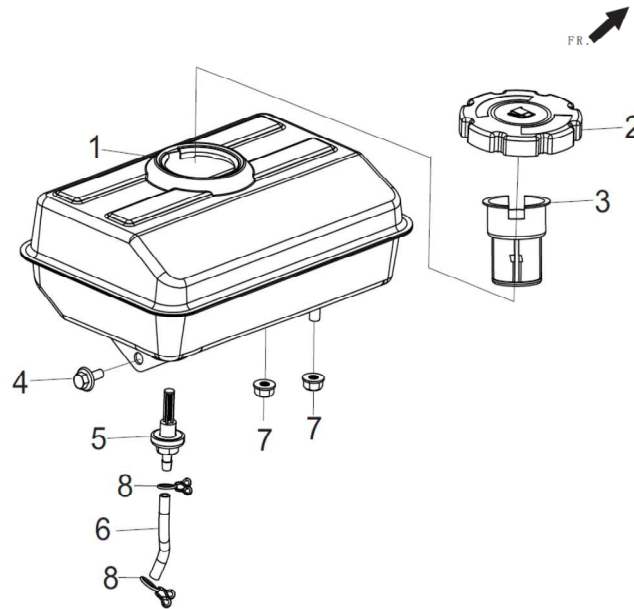
REF.NO.	PART NO	DESCRIPTION	Q'TY
E04-1	90305-0500-31	BOLT	2
E04-2	17100-Z450220-0000	CLEANER, AIR	1
E04-3	17001-Z450120-0000	GASKET, AIR CLEANER	1

FIG.11 MUFFLER ASSY (F04)



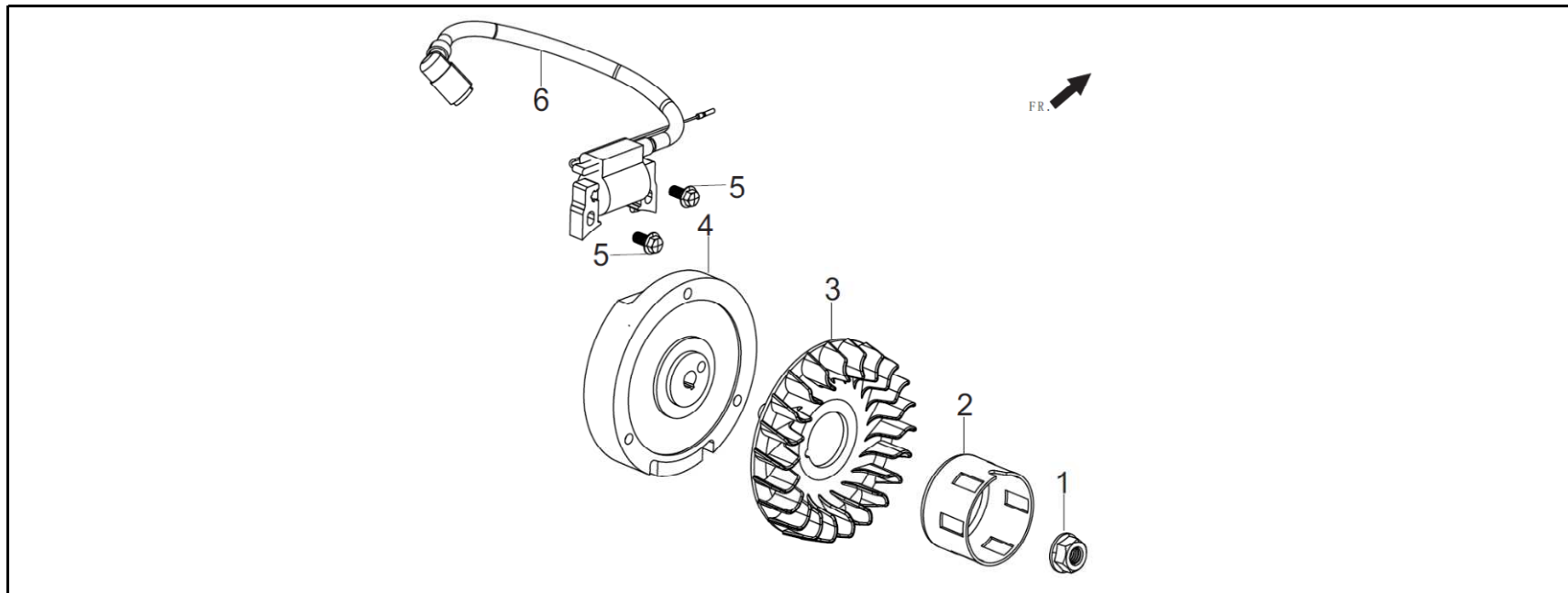
REF.NO.	PART NO	DESCRIPTION	Q'TY
F04-1	18001-Z450110-0000	GASKET, EXHAUST OUTLET	1
F04-2	18160-Z450210-0000	MUFFLER BODY	1
F04-3	18013-Z450210-QA00	MUFFLER SHIELD	1
F04-4	90305-0600-31	NUT	2

FIG.12 TANK ASSY, FUEL (F01)



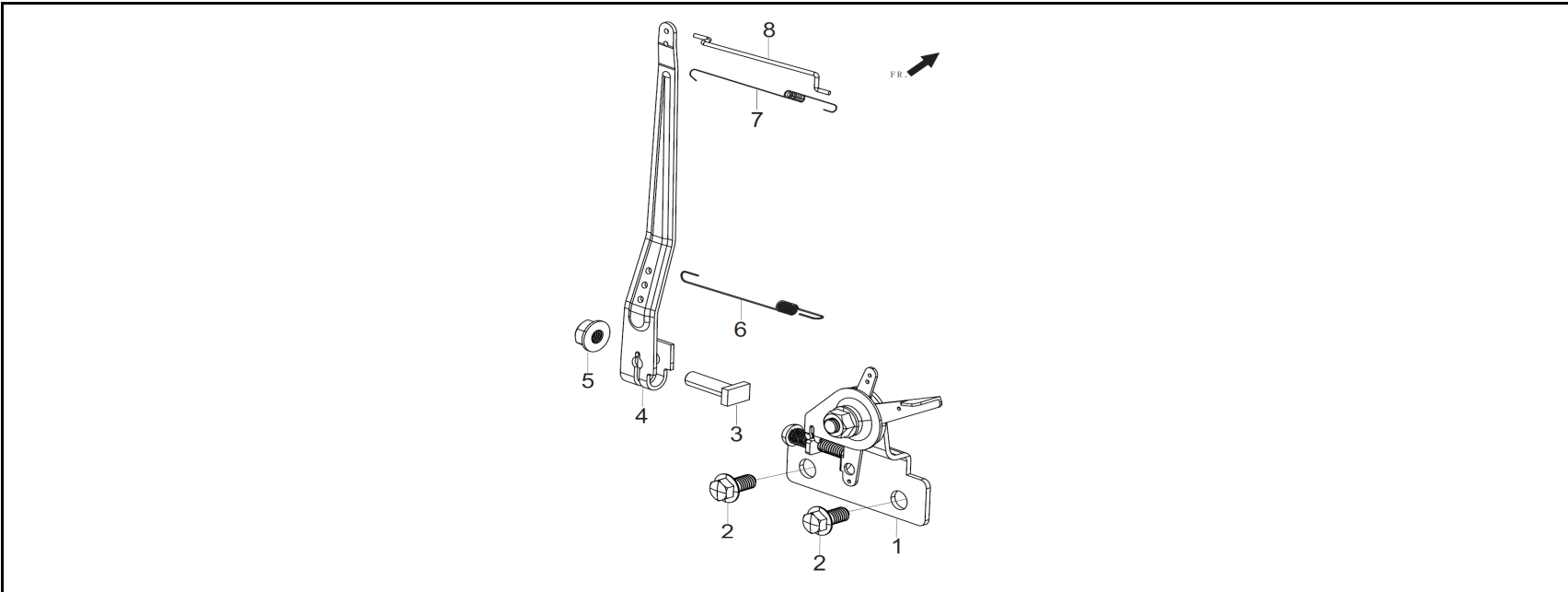
REF.NO.	PART NO	DESCRIPTION	Q'TY	
F01-1	16620-Z450210-BD00	TANK, FUEL	1	
F01-2	16730-Z300120-0000	COVER, FUEL TANK	1	
F01-3	16652-Z450110-0000	STRAINER , FUEL	1	
F01-4	90001-0612-01	BOLT	1	
F01-5	16680-Z010110-0000	OUTLET SUBASSEMBLY, FUEL TANK OIL	1	
F01-6	90686-Z450210-0000	TUBE, FUEL	1	
F01-7	90305-0600-31	NUT	2	
F01-8	90685-z030220-0000	CLAMP	2	

FIG.13 FLYWHEEL / IMPELLER / STARTER PULLEY / IGNITION COIL (E15)



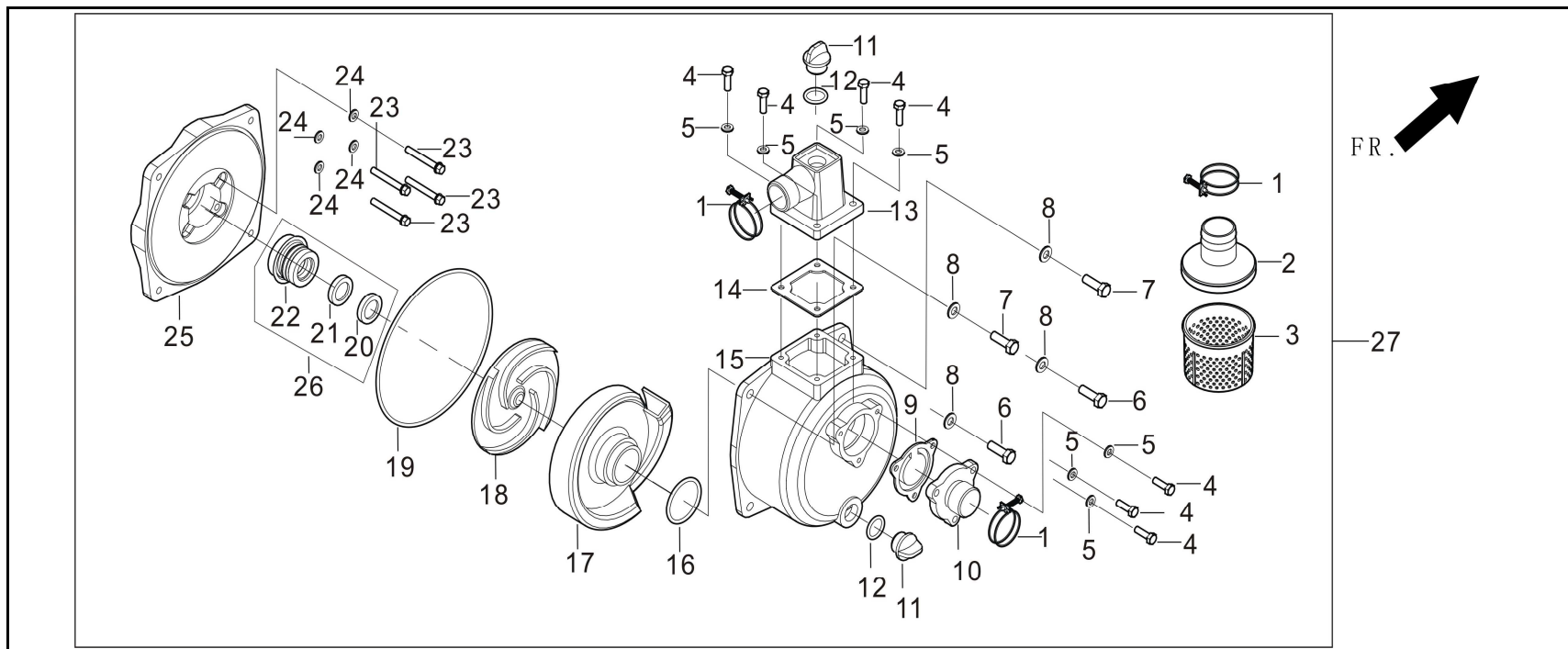
REF.NO.	PART NO	DESCRIPTION	Q'TY	
E15-1	13501-Z510110-0000	NUT, FLYWHEEL	1	
E15-2	28002-Z450110-0000	PULLEY,STARTER	1	
E15-3	19352-Z450110-0000	IMPELLER	1	
E15-4	13510-Z450120-0000	FLYWHEEL SUBASSEMBLY	1	
E15-5	90001-0625-01	BOLT	2	
E15-6	30400-Z450110-0000	COIL, IGNITION	1	

FIG.14 CONTROL ASSY, THROTTLE (E13)



REF.NO.	PART NO	DESCRIPTION	Q'TY
E13-1	16520-Z450210-0000	CONTROL ASSY, THROTTLE	1
E13-2	90001-0612-01	BOLT	2
E13-3	16072-Z010110-0000	BOLT, GOVERNOR SUPPORT	1
E13-4	16070-Z450110-0000	SUPPORT SUBASSEMBLY, GOVERNOR	1
E13-5	90305-0600-31	NUT	1
E13-6	16063-Z450110-0000	SPRING, GOVERNOR	1
E13-7	16012-Z450110-0000	SPRING, THROTTLE VALVE RETURNING	1
E13-8	16062-Z450110-0000	ROD, GOVERNEOR	1

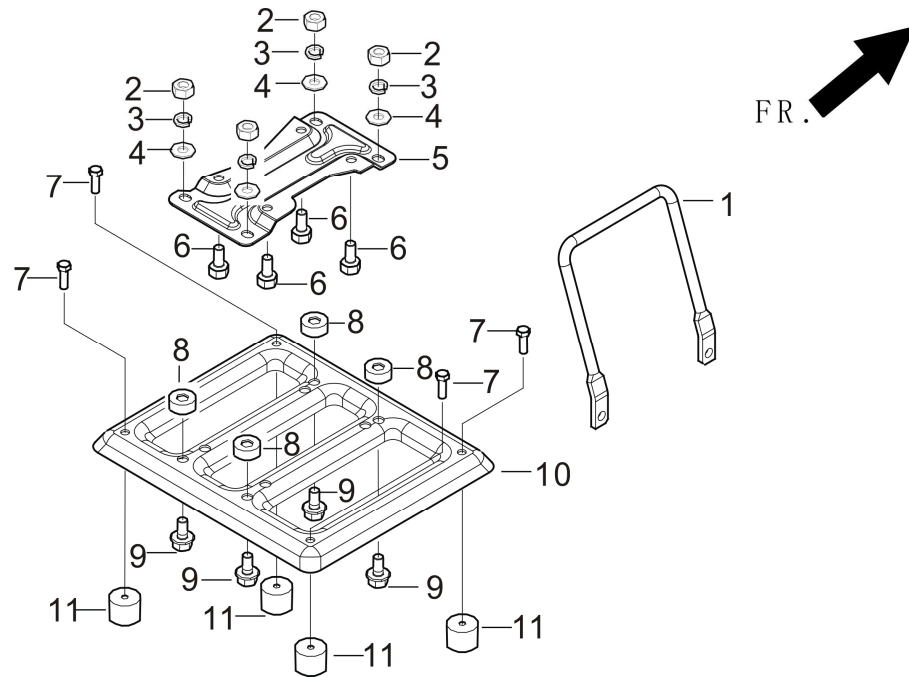
FIG.15 (F68)



REF.NO.	PART NO	DESCRIPTION	Q'TY	
F68-1	70400-V040210-0000	HOOP ASSY, HOSE	3	
F68-2	70113-V040210-0000	COVER, FILTER	1	
F68-3	70114-V040210-0000	FILTER	1	
F68-4	90005-0618-01	BOLT	7	
F68-5	90408-0600-E1	WASHER	7	
F68-6	90005-0820-01	BOLT	2	
F68-7	90005-0820-01	BOLT	2	
F68-8	90408-0800-E1	WASHER	4	
F68-9	70115-V040210-0000	GASKET , INLET WATER	1	
F68-10	70116-V040410-0000	INLET, WATER	1	
F68-11	70107-V040210-0000	PLUG, THREAD	2	
F68-12	70122-V040210-0000	WASHER, SCREW PLUG	2	
F68-13	70108-V040410-0000	OUTLET , WATER	1	
F68-14	70109-V040210-0000	GASKET , OUTLET	1	
F68-15	70105-V040210-0000	PUMP BODY	1	
F68-16	70104-V040210-0000	RIGN , WHORL CASE SEALING	1	

F68-17	70103-V040210-0000	CASE, WHORL	1	
F68-18	70102-V040210-0000	IMPELLER, WATER PUMP	1	
F68-19	70119-V040210-0000	CUSHION, WATER PUMP JOINT	1	
F68-20	70125-V040210-0000	SEAL , IMPELLER	1	
F68-21	70309-V040210-0000	SEAL,PORCELAIN	1	
F68-22	70300-V040210-0000	SEAL ASSY, MECHANISM	1	
F68-23	90001-0645-01	BOLT	4	
F68-24	90409-V040110-0000	WASHER	4	
F68-25	70118-V040210-0000	JOINT, WATER PUMP	1	
F68-27	70100-V040410-0000	PUMP ASSY, WATER	1	

FIG.16 FRAME ASSY, ENGINE (E16)



REF.NO.	PART NO	DESCRIPTION	Q'TY	
E16-1	54111-V040220-0000	HANDLE	1	
E16-2	90303-0800-31	NUT	4	

E16-3	90403-0800-00	WASHER	4	
E16-4	90408-0800-E1	WASHER	4	
E16-5	51002-Z450110-0000	PLATE,ENGINE FIXED BOTTOM	1	
E16-6	90001-0816-01	BOLT	4	
E16-7	90001-0610-01	BOLT	4	
E16-8	51146-V030110-0000	SEAT, WATER PUMP	4	
E16-9	90001-0825-01	BOLT	4	
E16-10	51143-V040110-H600	PLATE , BOTTOM	1	
E16-11	51014HY450110-0000	SEAT, ENGINE FRAME SHOCK ABSORPTION	4	