

1188170
COMBI 250/1000 VA 230V 50HZ

3227117_1188170_R20W - R20W (20/10/2020)



Access Platform Division

Via San Francesco d'Assisi, 8 - 46020 Pegognaga (Mantova) - ITALY Tel. +39 0376
554011 - Fax +39 0376 559855

www.imergroup.com

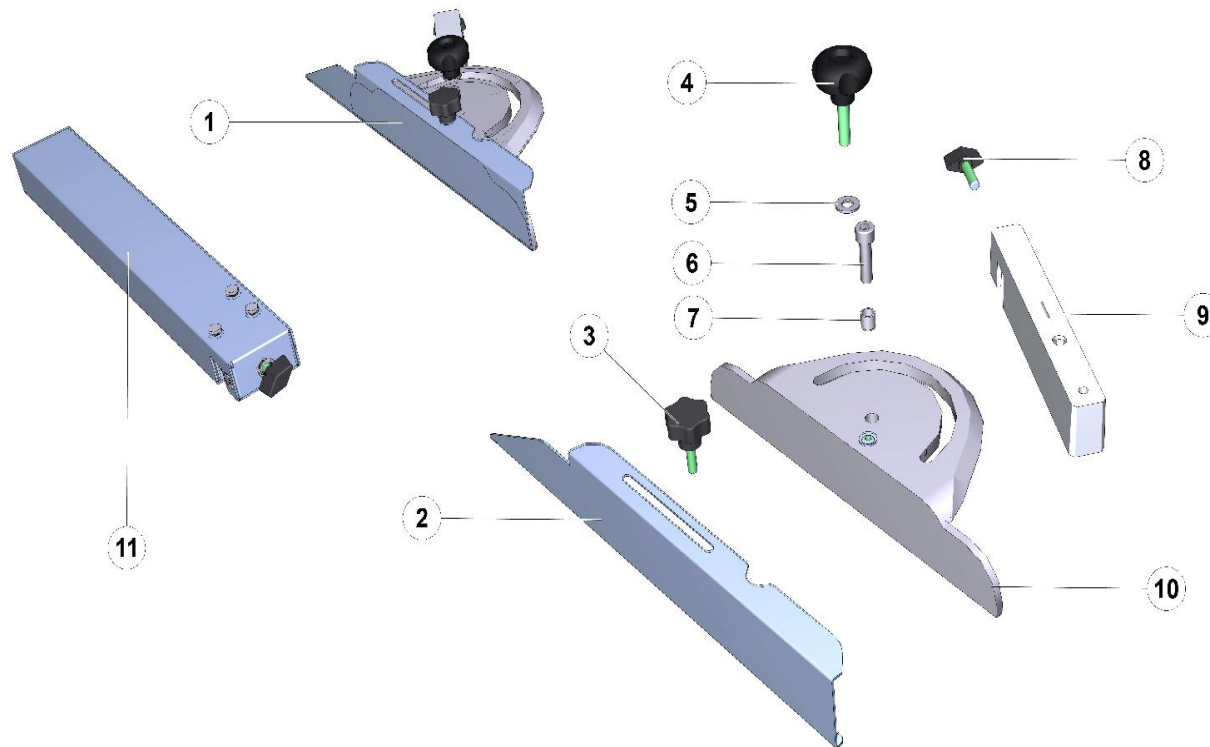
Building Equipment Division

Via della Meccanica, 39 (Zona Industriale Sentino) - 53040 Rapolano Terme
(Siena) - ITALY - Tel. +39 0577 97341 - Fax +39 0577 704077

www.imergroup.com

www.imerglobalcustomercare.com

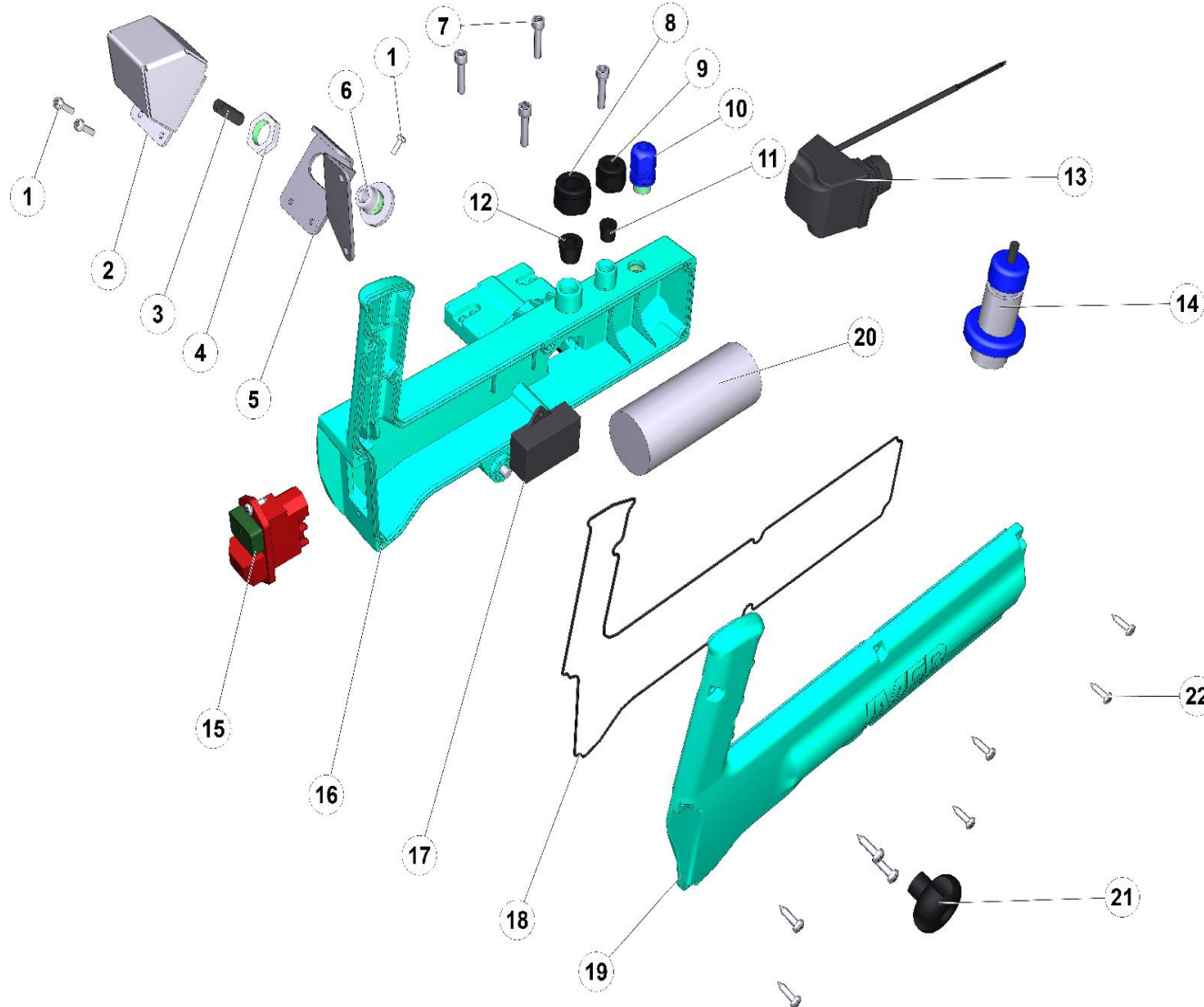
GONIOMETER





N.	CODE	DESCRIPTION	UM	QTY
1	3226358	PROTRACTOR/SAW	PZ	1
2	3226360	PROTRACTOR'S ROD/SAW	PZ	1
3	3223279	KNOB/SAW	PZ	1
4	3207939	HANDWHEEL/SAW	PZ	1
5	2224140	ROLLER 6593	PZ	1
6	2222513	SCREW	PZ	1
7	3230638	SPACER	PZ	1
8	3211381	LOCK KNOB/SAW	PZ	1
9	3226076	SUPPORT/SAW	PZ	1
10	3226078	PROTRACTOR/SAW	PZ	1
11	1188178			1

ELECTRIC PANEL



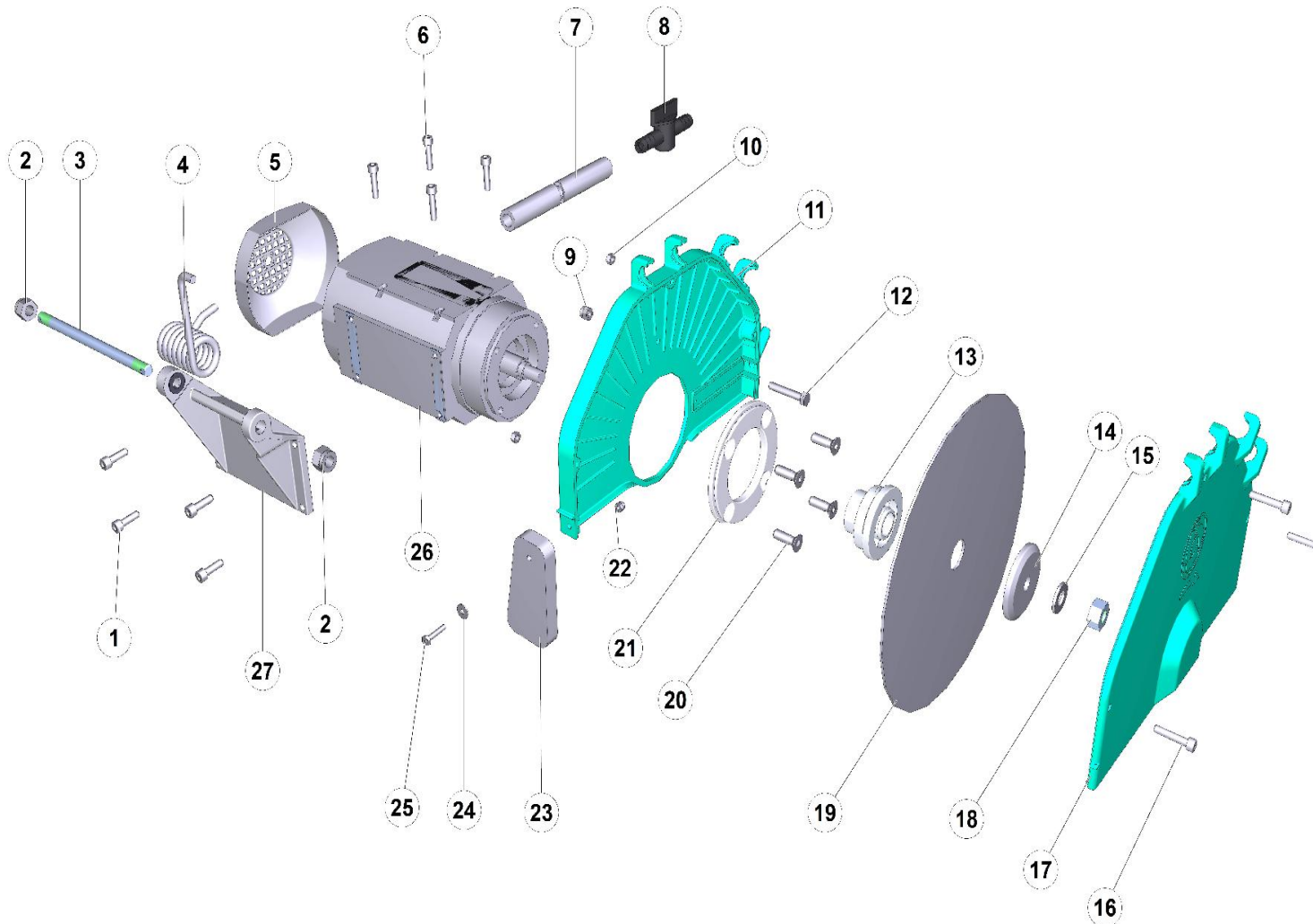


N.	CODE	DESCRIPTION	UM	QTY
1	3207154	SCREW/SAW	PZ	3
2	3227708	COVER/SAW	PZ	1
3	3228250	LASER LIGHT CLASS IIIA +GLASS PROTECTION	PZ	1
4	3227489	NUT/SAW	PZ	1
5	3227707	SUPPORT/SAW	PZ	1
6	3227483	ADJUSTMENT BLK/SAW	PZ	1
7	2222541	SCREW/SAW	PZ	4
8	3226095	RING PG16 BLACK	PZ	1
9	3226098	RING PG11 BLACK- HOLE D.11	PZ	1
10	3227508	CABLE CLAMP/SAW	PZ	1
11	3226101	RUBBER	PZ	1
12	3226100	RUBBER	PZ	1
13	3233271	WATER PUMP 230v50hZ	PZ	1
14	3210609	SUPPLY CABLE CM250V	PZ	1
15	3209337	SWITCH	PZ	1
16	3227467	BODY	PZ	1
17	3228251	TRANSFORMER	PZ	1
18	3210114	GASKET	M	1
19	3210231	COVER/SAW	PZ	1
20	3229931	CAPACITOR	PZ	1
21	2284866	KNOB/HANDLE	PZ	1



N.	CODE	DESCRIPTION	UM	QTY
22	3210116	BOLT/SAW	PZ	8

ELECTRIC MOTOR



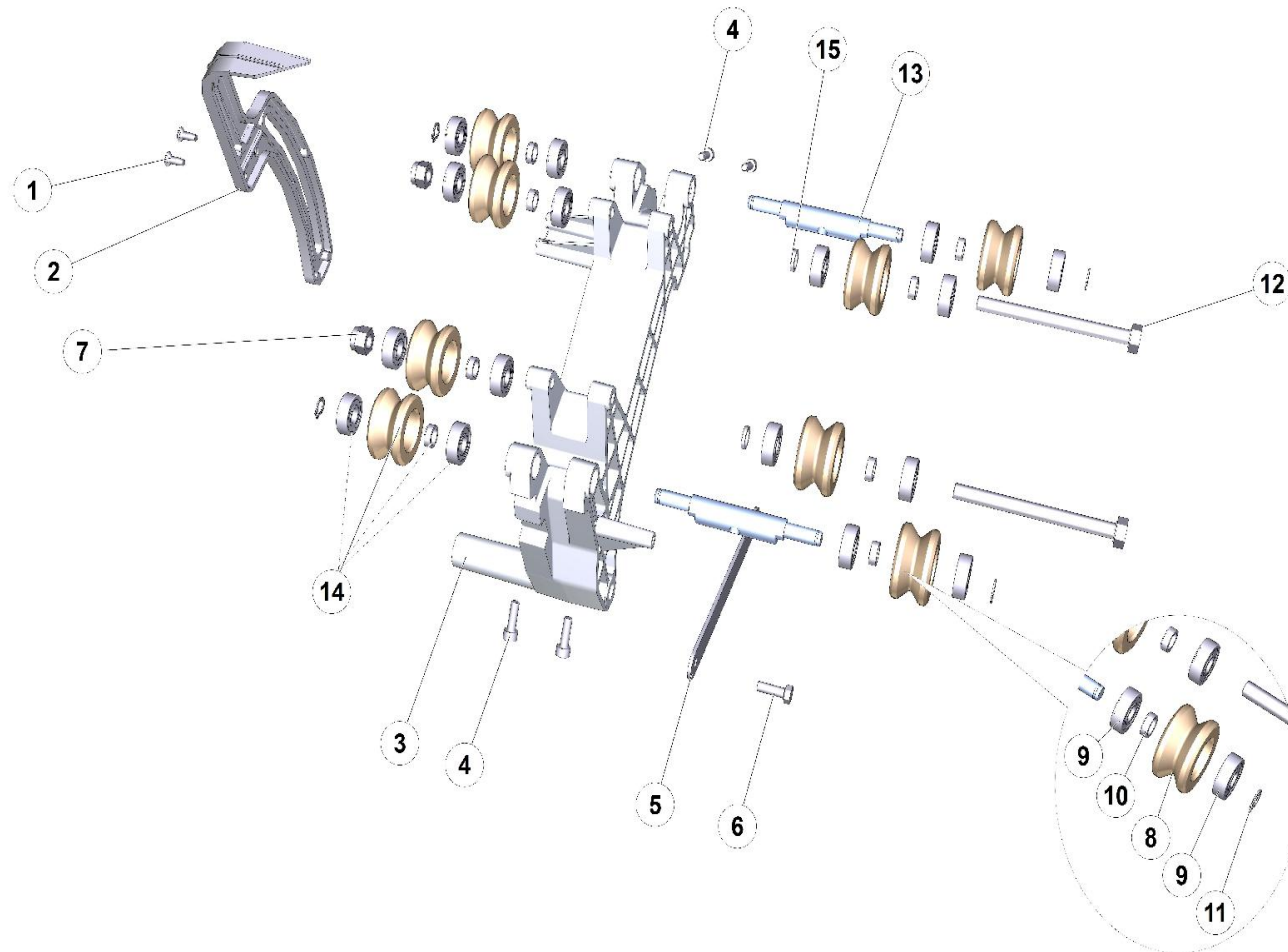


N.	CODE	DESCRIPTION	UM	QTY
1	2222540	SCREW	PZ	4
2	2223920	SELF-LOCKING NUT	PZ	1
3	3230250		PZ	1
4	3210087	SPRING/SAW	PZ	1
5	3230644	FAN COVER	PZ	1
6	2222541	SCREW/SAW	PZ	4
7	2292365	LINE/SAW	M	1
8	3207884	TAP	PZ	1
9	2223924	NUT	PZ	1
10	2223352	NUT	PZ	1
11	3211935	GUARD/SAW	PZ	1
12	3209060	SCREW	PZ	1
13	3210044	FLANGE	PZ	1
14	3210046	FLANGE/SAW	PZ	1
15	2224380	WASHER/SAW	PZ	1
16	3204399	SCREW/SAW	PZ	3
17	3211933	GUARD/SAW	PZ	1
18	3210053	NUT	PZ	1
19	1193783			1
20	3201339	SCREW/SAW	PZ	4
21	3210043	SPACER BRACKET/SAW	PZ	1



N.	CODE	DESCRIPTION	UM	QTY
22	2223926	NUT/SAW	PZ	1
23	3210050	SPRAY GUARD/SAW	PZ	1
24	2224535	ROLLER/MN	PZ	1
25	2222001	SCREW	PZ	1
26	3233669	MOTOR CM250VA	PZ	1
27	3230255	ENGINE SUPPORT/SAW	PZ	1

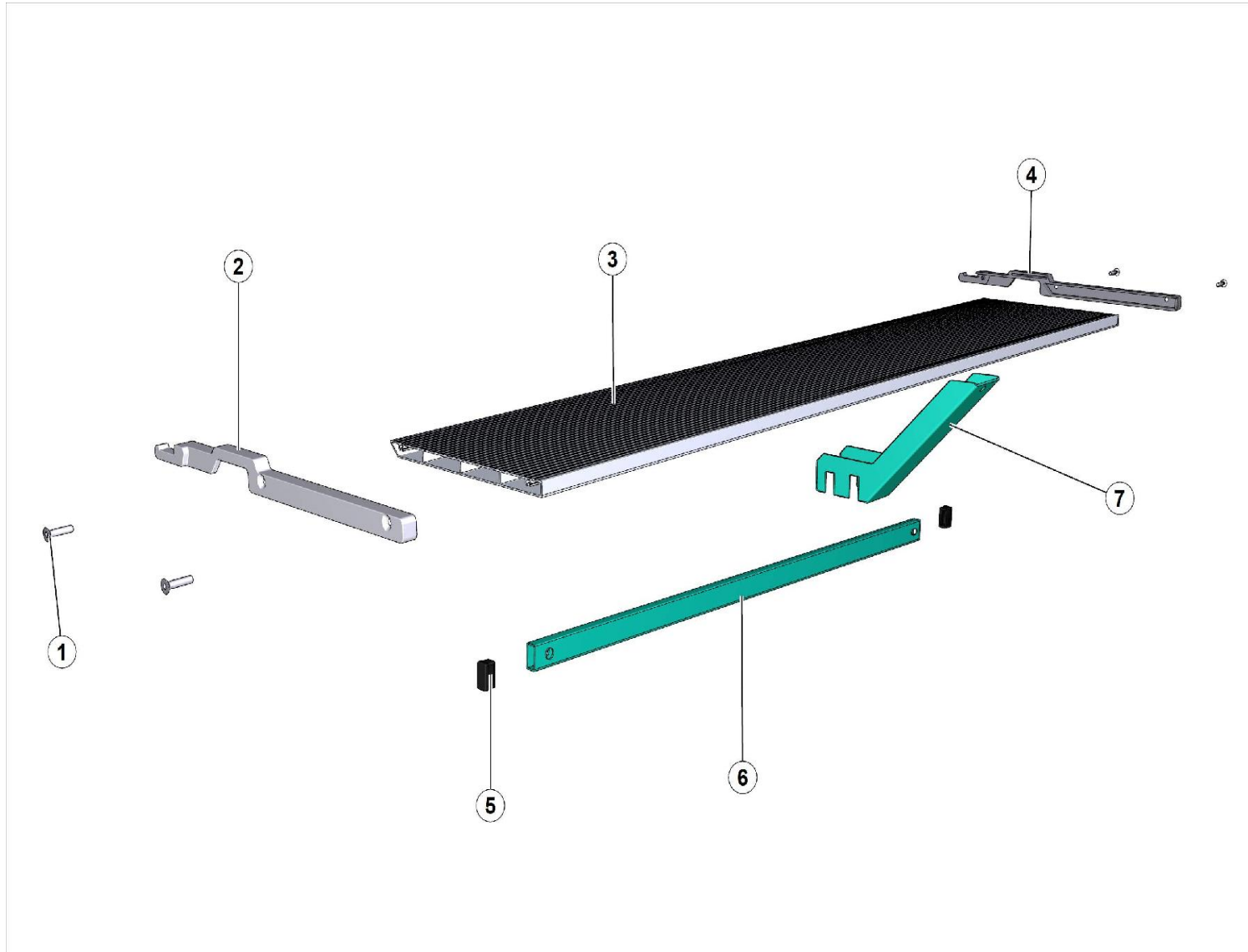
CARRIAGE





N.	CODE	DESCRIPTION	UM	QTY
1	3210105	SCREW/SAW	PZ	2
2	3210028	HANDLE BRACKET/SAW	PZ	1
3	3210031	CARRIAGE CASTING/SAW	PZ	1
4	3210036	SCREW	PZ	4
5	3210029	BLADE GUARD/SAW	PZ	1
6	2222000	SCREW	PZ	1
7	2223923	LOCK NUT	PZ	2
8	3207397	ROLLER/SAW	PZ	8
9	3204945	BEARING	PZ	16
10	3207393	SPACER	PZ	8
11	3210627	STOP RING	PZ	4
12	2222114	SCREW	PZ	2
13	3210032	Pin	PZ	2
14	3207525	WHEEL/SAW	PZ	8
15	3210622	SPACER/SAW	PZ	2

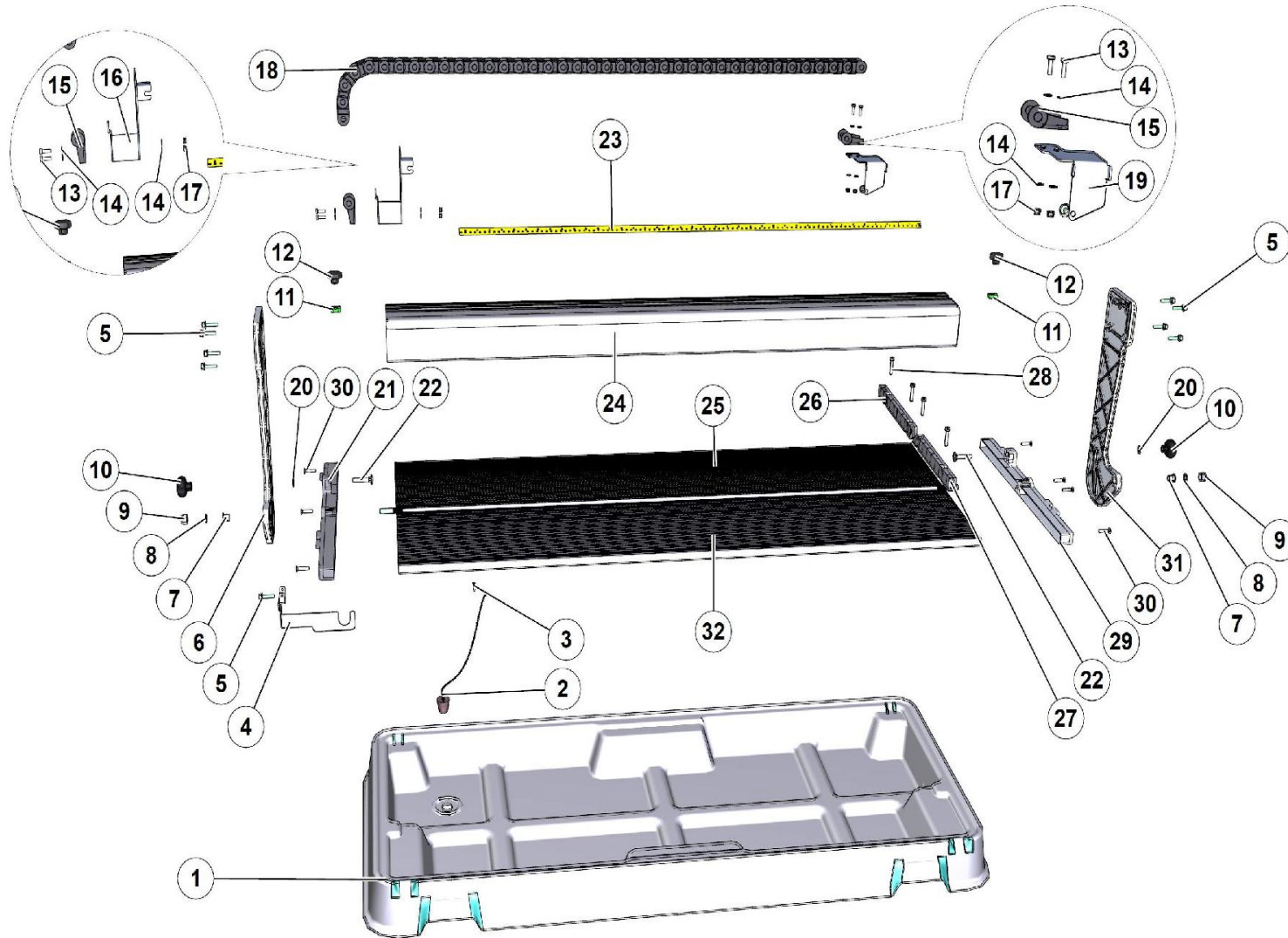
SIDE ROLLER





N.	CODE	DESCRIPTION	UM	QTY
1	2222584	BOLT/SAW	PZ	4
2	3226146	SUPPORT/SAW	PZ	1
3	3226952	SIDE TABLE/SAW	PZ	1
4	3226145	SUPPORT/SAW	PZ	1
5	3229948	CAP		2
6	3229851	ADDITIONAL TABLE CROSSBAR CM 250/1000 VA	PZ	1
7	3237407	PROP	PZ	1

TABLE AND TRAY



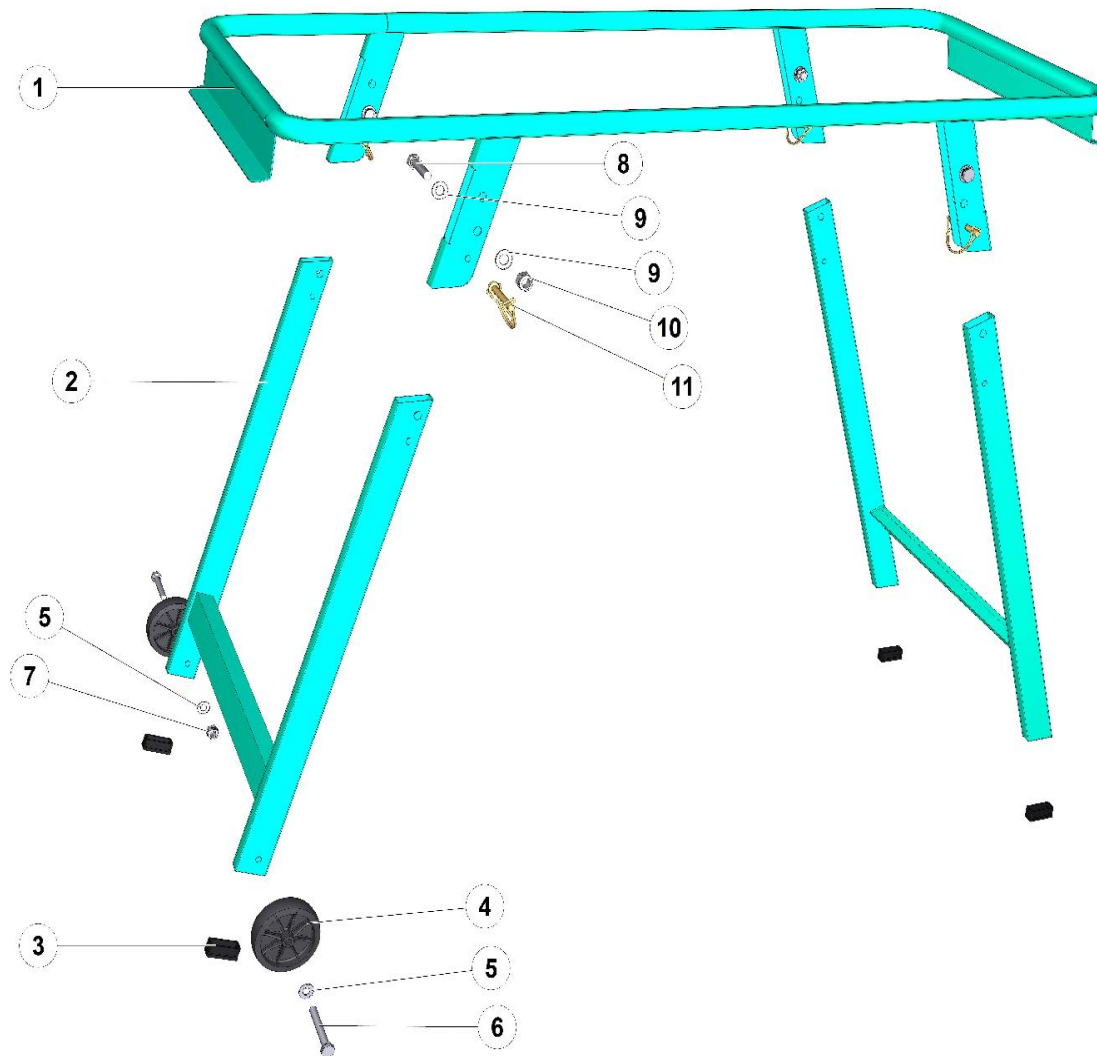


N.	CODE	DESCRIPTION	UM	QTY
1	3226951	TANK/SAW	PZ	1
2	2235429	PLUG		1
3	2222449	SCREW	PZ	1
4	3226949	BRACKET/SAW	PZ	1
5	3210099	SCREW	PZ	9
6	3226359	DIECASTING	PZ	1
7	3226088	SPACER/SAW	PZ	2
8	3226087	ROLLER/SAW	PZ	2
9	2223920	SELF-LOCKING NUT	PZ	2
10	2284866	KNOB/HANDLE	PZ	2
11	3210071	NUT/SAW	PZ	2
12	3204865	KNOB/SAW	PZ	2
13	3209797	BOLT/SAW	PZ	2
14	2224529	ROLLER/SAW	PZ	8
15	3236631	CM 250/1500 CHAIN CONNECTION KIT	PZ	2
16	3226944	BRACKET/SAW	PZ	1
17	2223927	NUT	PZ	4
18	3226946	CHAIN	PZ	1
19	3226950	BRACKET/SAW	PZ	1
20	3210576	WASHER	PZ	2
21	3226070	REAR SIDE/SAW	PZ	1



N.	CODE	DESCRIPTION	UM	QTY
22	3226747	BOLT/SAW	PZ	2
23	3226795	MILLIMETER STRP/SAW	PZ	1
24	3227459	TRAVEL BEAM/SAW	PZ	1
25	3227485	RH TABLE/SAW	PZ	1
26	3226073	RH FENCE/SAW	PZ	1
27	3226074	LH FENCE/SAW	PZ	1
28	2222545	SCREW	PZ	4
29	3226069	FRONT SIDE/SAW	PZ	1
30	2222584	BOLT/SAW	PZ	7
31	3226357	SUPPORT/SAW	PZ	1
32	3227486	LH TABLE/SAW	PZ	1

FRAME





N.	CODE	DESCRIPTION	UM	QTY
1	3237390	PAINTED FRAME		1
2	3237392	COLLAPSIBLE LEG	PZ	1
3	3226976	CAP/SAW	PZ	4
4	3205257	WHEEL	PZ	2
5	2224340	ROLLER/MORTAR PUMP	PZ	4
6	3229916	SCREW TE 8.8 5739 M10X75 Z		2
7	2223920	SELF-LOCKING NUT	PZ	2
8	3224959	SCREW	PZ	4
9	2224380	WASHER/SAW	PZ	8
10	2223921	NUT	PZ	4
11	3223143	PIN/SAW	PZ	4



Access Platform Division

Via San Francesco d'Assisi, 8 - 46020 Pegognaga (Mantova) - ITALY Tel. +39 0376
554011 - Fax +39 0376 559855

www.imergroup.com

Building Equipment Division

Via della Meccanica, 39 (Zona Industriale Sentino) - 53040 Rapolano Terme
(Siena) - ITALY - Tel. +39 0577 97341 - Fax +39 0577 704077

www.imergroup.com