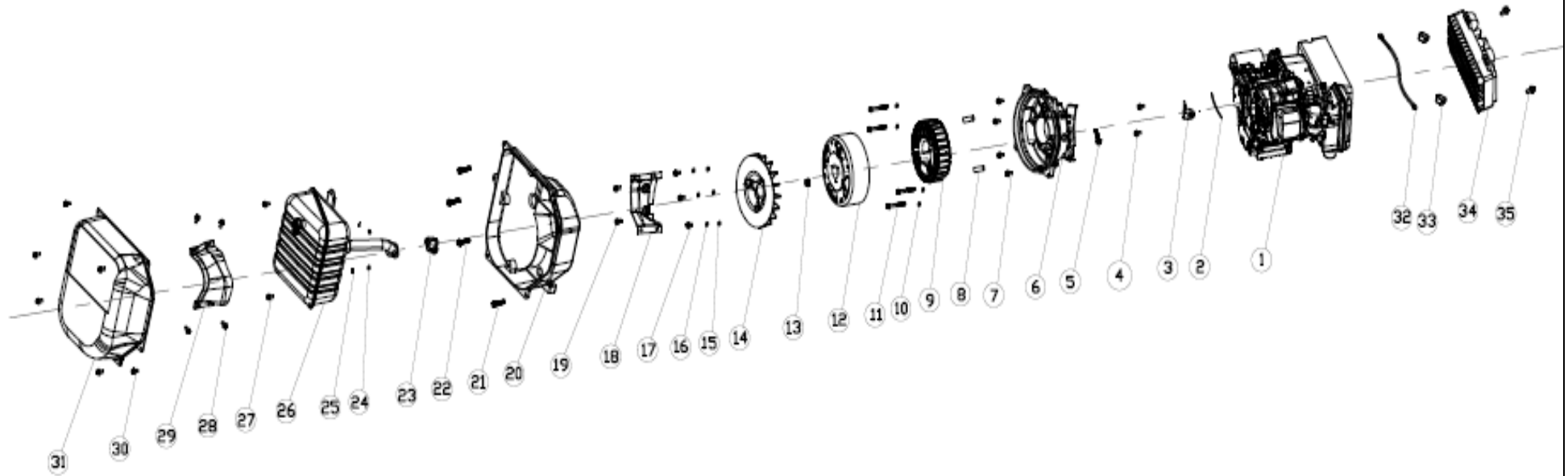


SC4000i Explosive View

- E-01 Machine core components.....2~4**
- E-02 Overlay components.....5~6**
- E-03 Tank components.....7~8**
- E-04 Frame components.....9~10**
- E-05 Panel assembly.....11**

E-01 Machine core components

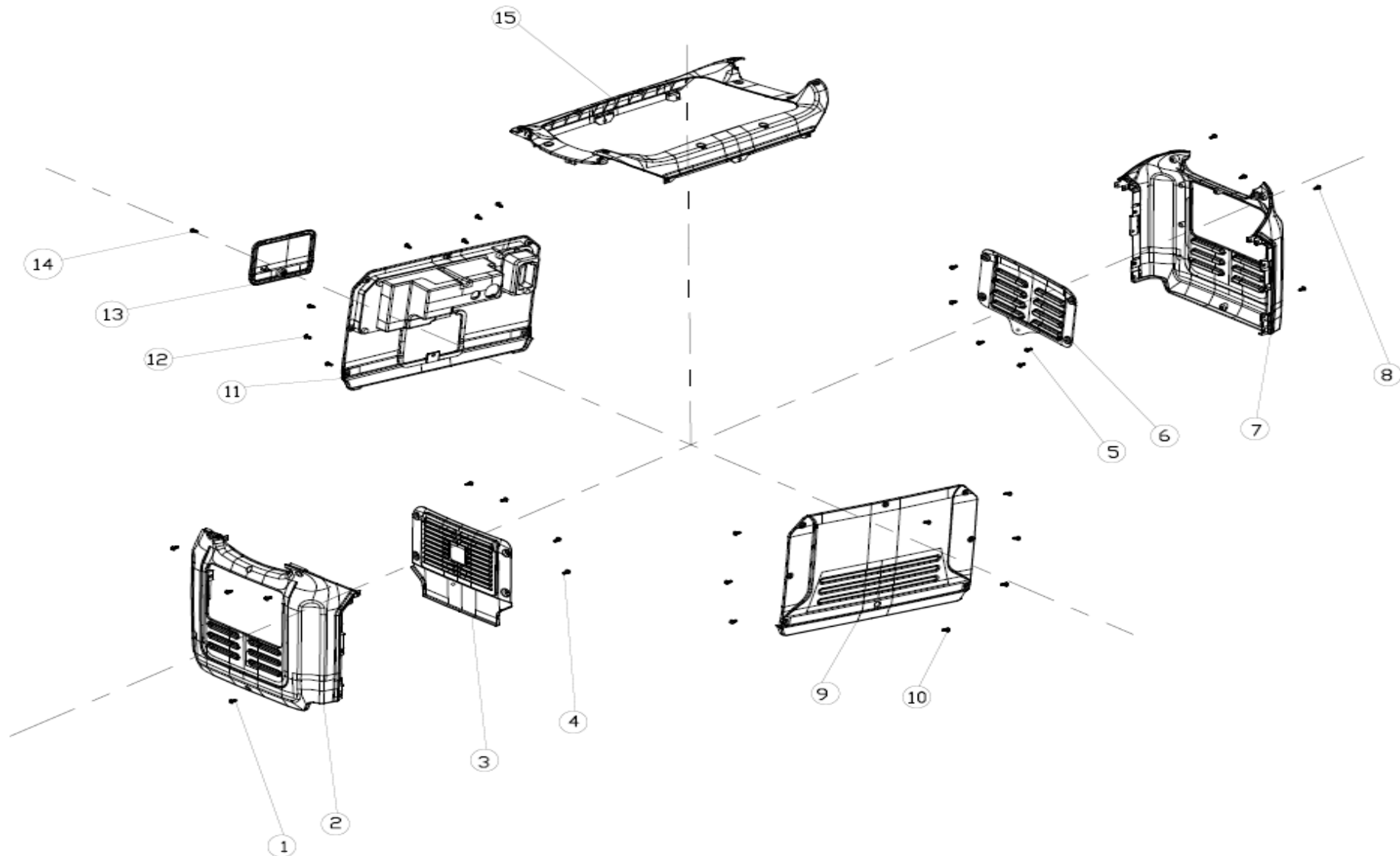


NO.	Part NO.	Description	
		English	SC4000i
1	20260-02175-03	Engine assy (including stator and rotor)	1
2	33138-00018-01	rubber sealing strip	1
3	33277-00008-01	wiring board	1
4	30101-00398-00	Hexagon bolts with flangeM6X12	2
5	30101-00364-01	Hexagon bolts with flangeM8X30	1
6	33191-00116-00	Alternator cover	1

7	30101-00359-01	Hexagon bolts with flangeM8X20	4
8	34006-00001-01	Locating pin	2
9	20005-00079-00	Motor stator	1
10	30139-00034-01	Spring washer	4
11	30113-00087-01	Hexagon socket cap screwsM6X55	4
12	20006-00052-00	Motor rotor	1
13	30125-00011-01	Hexagon nut with flangeM14	1
14	33155-00043-01	Cooling fan	1
15	30136-00092-00	Flat washer	3
16	30139-00034-01	Spring washer	3
17	30101-00405-01	Hexagon bolts with flangeM6X20	3
18	34021-00049-01	Lower air guide	1
19	30101-00398-00	Hexagon bolts with flangeM6X12	2
20	34021-00027-00	Motor housing	1
21	30101-00412-02	Hexagon bolts with flangeM6X30	3
22	30101-00553-00	Hexagon bolts with flangeM6X45	1
23	33048-00210-00	Gasket for muffler	2
24	30139-00036-01	Spring washer	2
25	30121-00007-01	Hexagon nut	2
26	20202-00344-00	Muffler	1
27	30101-00398-00	Hexagon bolts with flangeM6X12	2
28	30101-00405-01	Hexagon bolts with flangeM6X20	2
29	34021-00048-01	Upper air guide	1

30	30101-00398-00	Hexagon bolts with flangeM6X12			----- ---6	
31	33014-00293-00	Muffler housing			1	
32	20196-00115-01	Wiring harness Components			1	
33	33015-00060-01	Inverter ear protector			2	
34	20136-00133-04	Inverter assy			1	
35	30101-00405-01	Hexagon bolts with flangeM6X20			2	

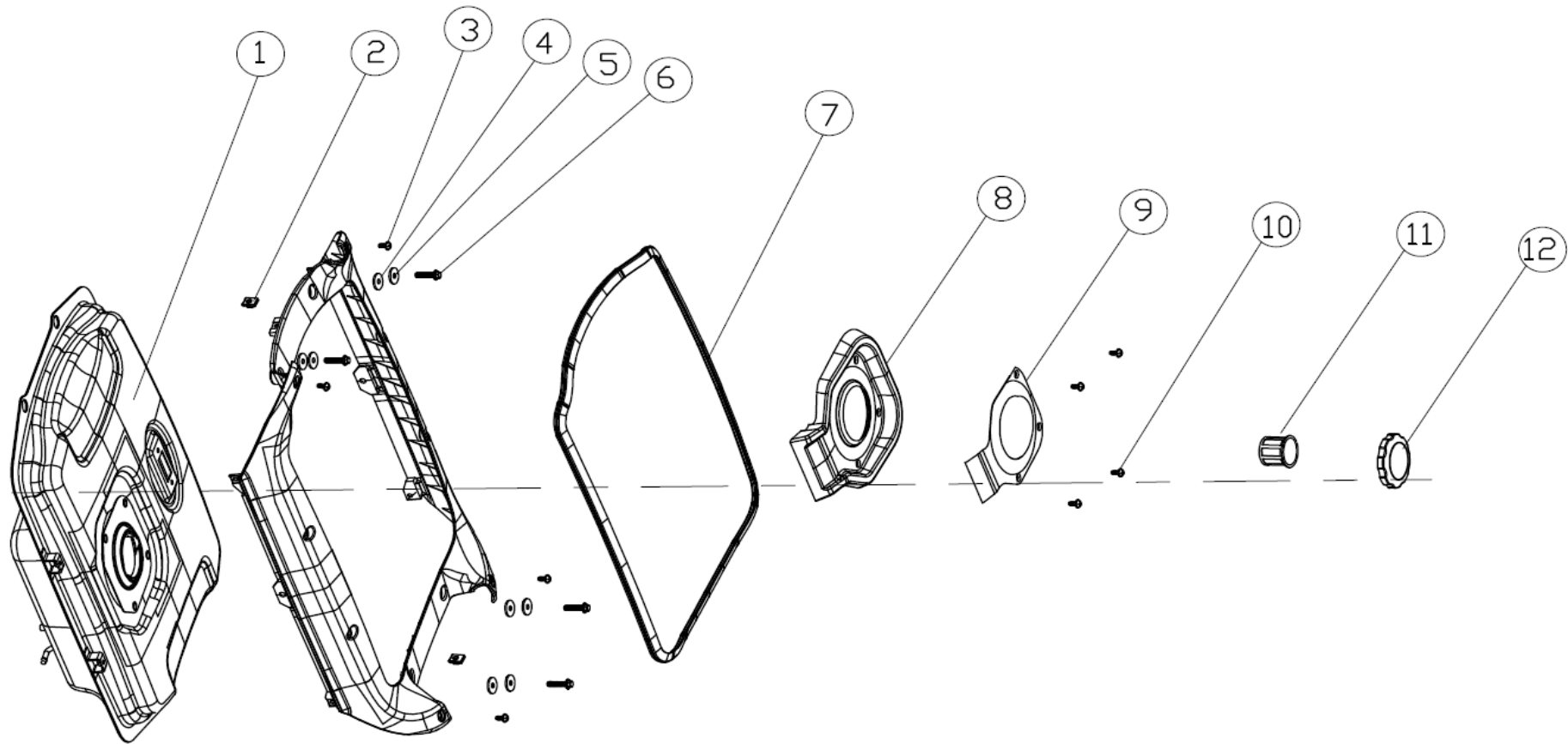
E-02 Overlay component



NO.	Part NO.	Description		QTY	
		English			i4000
1	30117-00088-01	Pan head screws with cross recess			3
2	33013-00002-02	Side cover plate			1

3	33013-00001-00		shutters			1	
4	30111-00008-01		Pan head screws with cross recess			4	
5	30111-00008-01		Pan head screws with cross recess			5	
6	33013-00044-01		Inverter air inler cover			1	
7	33013-00002-01		Side cover plate			6	
8	30117-00088-01		Pan head screws with cross recess			4	
9	33013-00082-03		Rear cover			1	
10	30111-00088-01		Pan head screws with cross recess			8	
11	33013-00081-002		Front cover			1	
12	30117-00088-01		Pan head screws with cross recess			7	
13	33013-00083-03		Oil cover plate			1	
14	33580-00038-01		Special bolt			1	
15	33014-00164-02		tank cover			1	

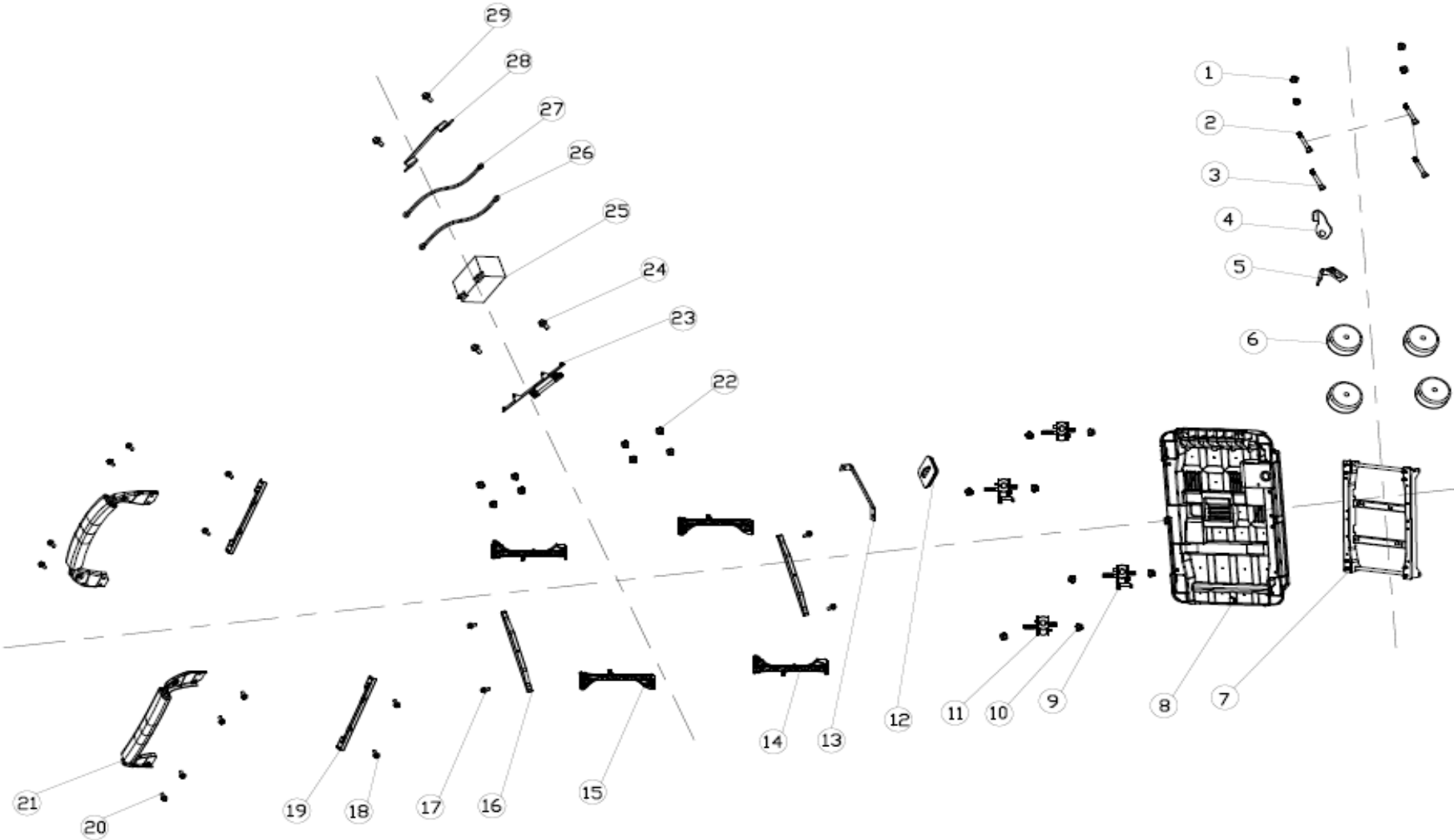
E-03 Tank components



NO.	Part NO.	Description		QTY	
		English			i4000
1	20130-00094-00	Fuel tank assy			1
2	34024-00074-01	Lock clip			2
3	30117-00088-01	Pan head screws with cross recess			4
4	33275-00026-00	Waterproof pad			4
5	30136-00095-00	Flat washer			4
6	30101-00412-02	Hexagon bolts with flange M6X30			4
7	33275-00007-02	Tank seal			1
8	33015-00027-01	Rubber sleeve			1

9	33593-00017-01		Fuel tank press plate			1	
10	30111-00008-01		Pan head screws with cross recess			4	
11	34037-00003-00		Filter screen			1	
12	20131-00014-00		Fuel cap			1	

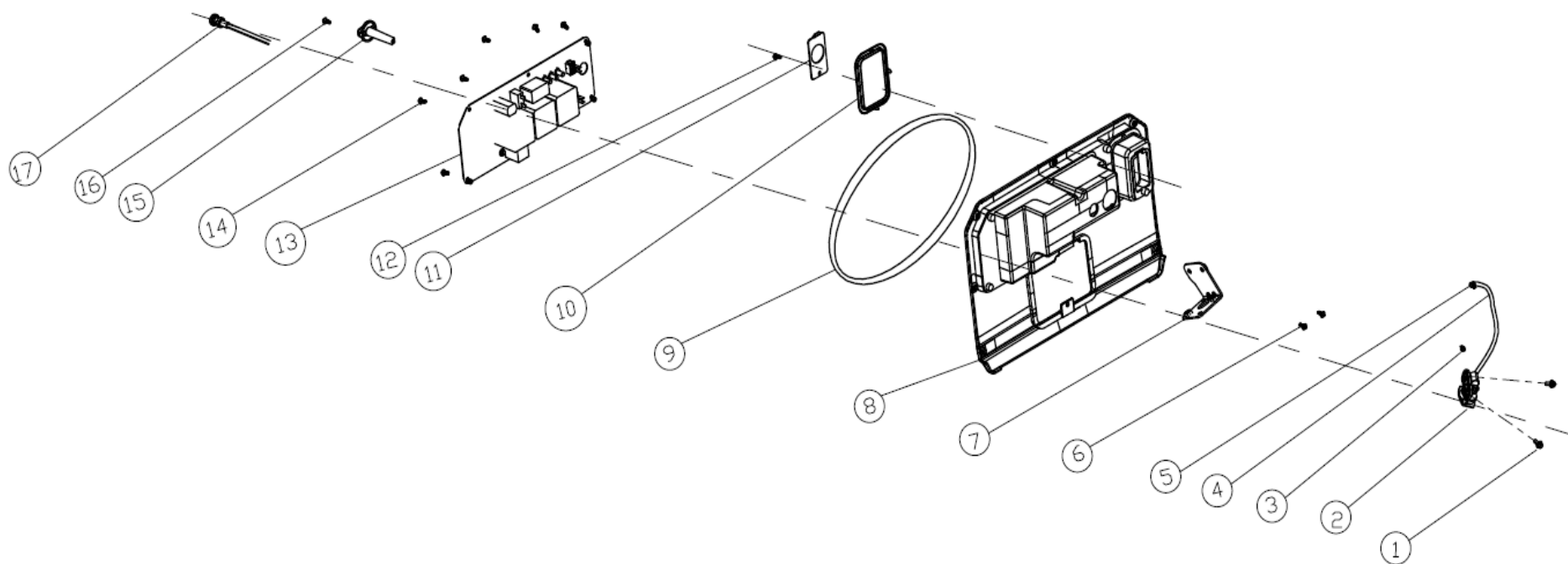
E-04 Frame components



NO.	Part NO.	Description		QTY	
		English			i4000
1	30125-00023-02	Hexagon nuts with flange M6			4
2	30100-00094-01	Hexagon bolt M10X60			3

3	30100-00093-01	Hexagon boltM10X65	1
4	34021-00105-01	brake lug	1
5	70002-02219-01	Brake pad	1
6	20134-00123-01	Wheel assembly	4
7	20249-00148-00	Support components	1
8	33089-00071-00	Engine mounting plate	1
9	34030-00122-00	vibration proof mounting	2
10	30125-00023-02	Hexagon nuts with flange M6	8
11	34030-00121-00	Anti-vibration mounting	2
12	33015-00019-01	gum cover	1
13	33499-00015-01	Air filter support	1
14	33014-00291-00	support frame	2
15	33014-00292-00	support frame	2
16	20249-00147-01	support parts	2
17	30101-00341-02	Hexagon bolts with flangeM6X16	4
18	30101-00398-00	Hexagon bolts with flangeM6X12	2
19	33593-00050-01	Handle holding block	2
20	30101-00398-00	Hexagon bolts with flangeM6X12	4
21	20135-00138-01	Handle	2
22	30125-00023-02	Hexagon nuts with flange M6	8
23	33593-00051-00	fixed plate	1
24	30101-00405-00	Six angle flange bolt	2
25	31002-00019-00	Battery	1
26	20196-00059-01	Wiring harness parts	1
27	20196-00060-01	Wiring harness parts	1
28	20217-00017-00	battery holder	1
29	30101-00405-01	Hexagon bolts with flangeM6X20	2

E-05 面板组件 Panel assembly



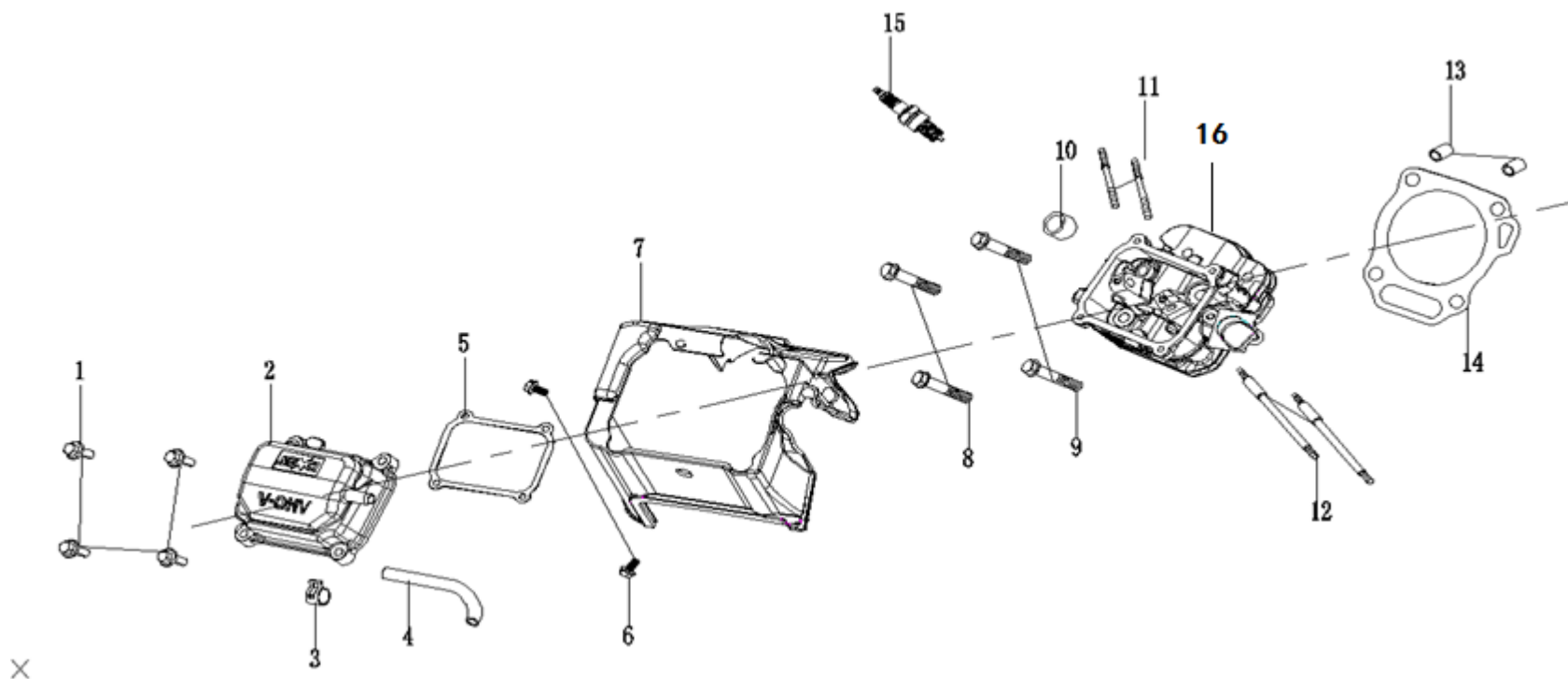
NO.	Part NO.	Description	QTY	
		English		i4000
1	30101-00398-00	Hexagon bolts with flangeM6X12		2
2	20133-00001-00	Fuel valve		1
3	34024-00025-00	Hoop B12		1
4	34023-00013-01	Fuel pipe		1
5	34024-00027-00	Hoop B12		1
6	30117-00088-01	Pan head screws with cross recess		2
7	33593-00053-00	fixed block		1
8	33013-00081-03	front cover		1
9	33275-00022-02	Panel seal		1

10	33014-00082-01	Start protection	1
11	33593-00054-03	Handle baffle	1
12	30111-00008-01	Pan head screws with cross recess	1
13	20114-02405-01	Control panel assy	1
14	30111-00008-01	Pan head screws with cross recess	6
15	31026-00119-00	Fuel Valve handle	1
16	30111-00070-01	Pan head screws with cross recess	1
17	20030-00015-00	Choke cable	1

Index to engineer group

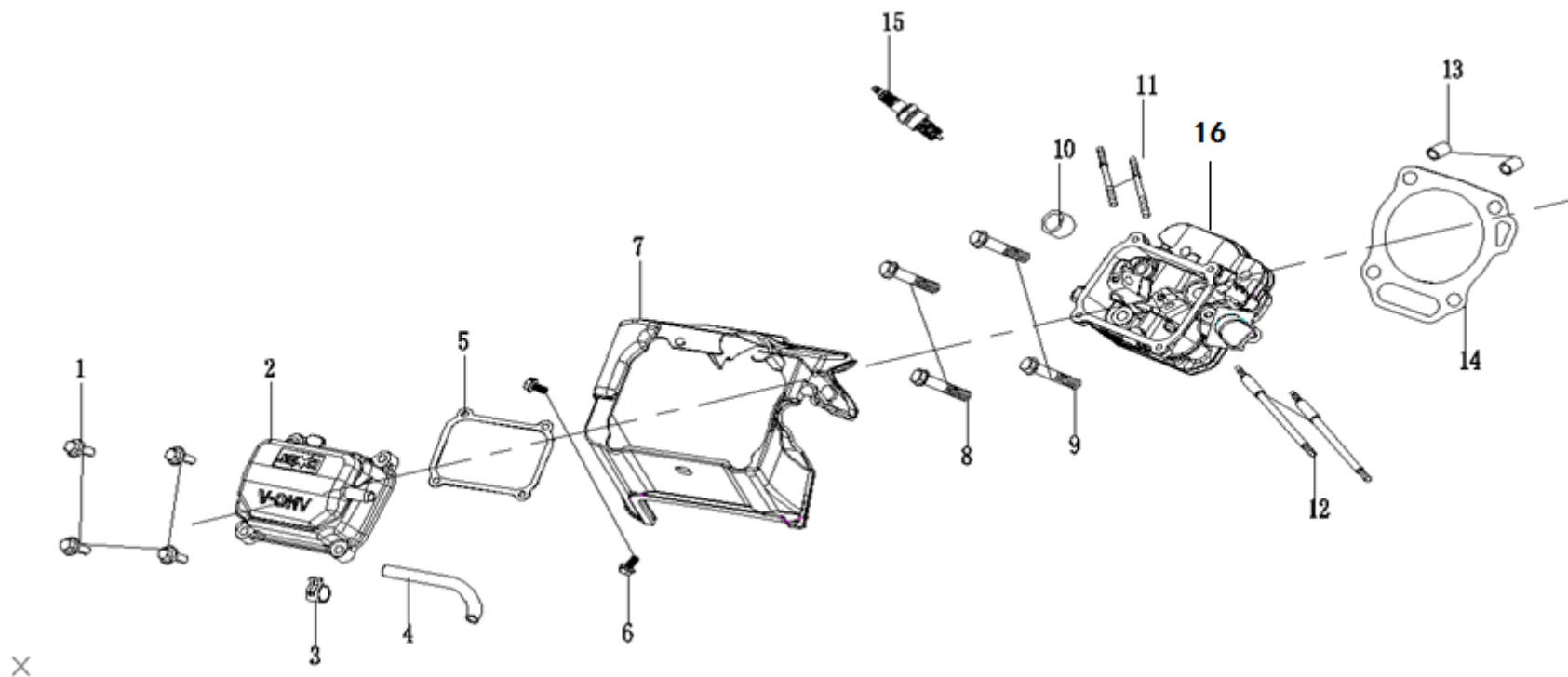
E-01	气缸头组件.....2~3	E-07	反冲启动器总成.....10~11
	Cylinder head Recoil starter		
E-02	箱体组件.....4~5	E-08	调速控制机构.....12
	Crankcase assy		Control system
E-03	左箱盖.....6	E-09	飞轮.....13
	Crankcase cover		Flywheel
E-04	曲轴、活塞连杆总成.....7	E-10	空气滤清器总成.....14
	Crankshaft piston Air cleaner		Air cleaner
E-05	凸轮轴（配气机构）.....8	E-11	电机 15-16
	Camshaft		
E-06	化油器总成.....9		
	Carburetor		

E-01 气缸头组件 Cylinder head



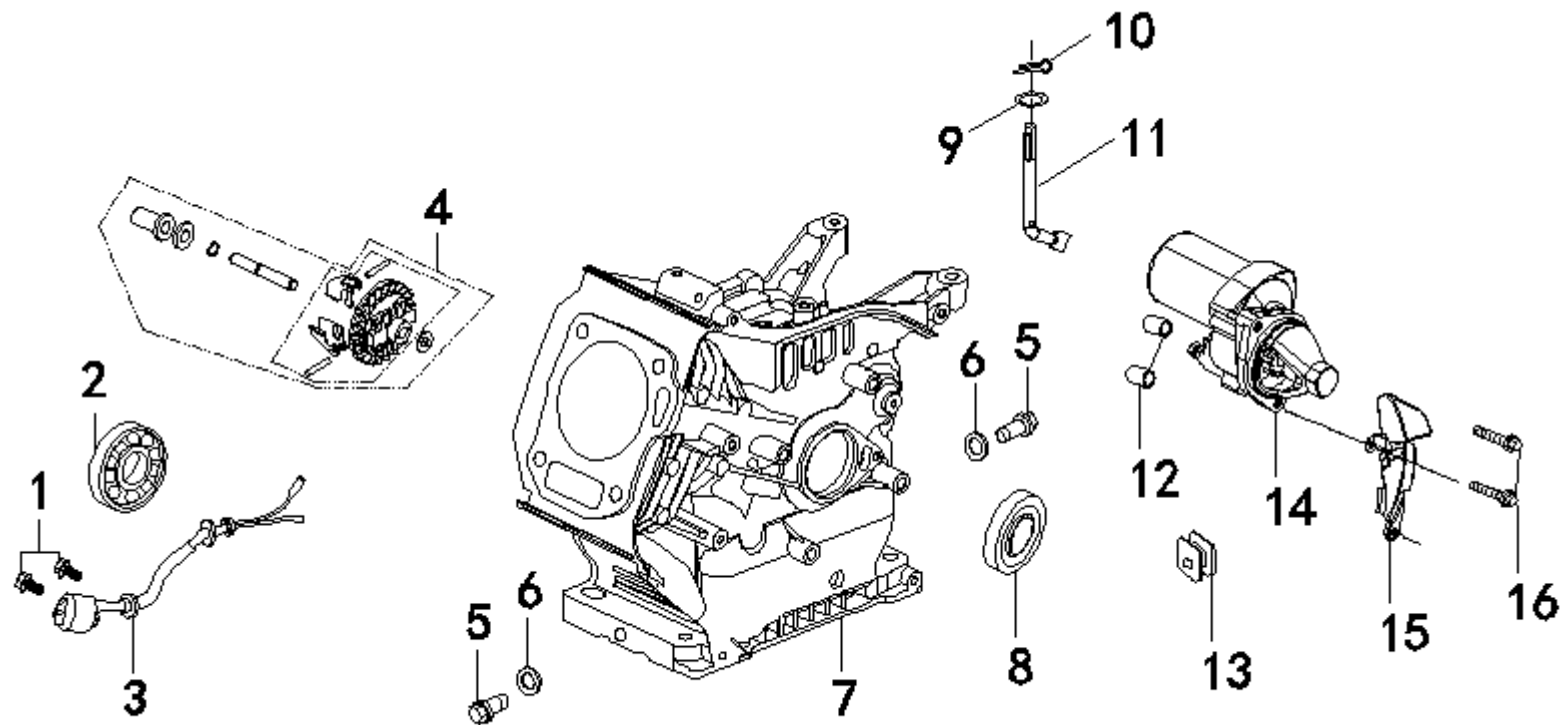
序号 NO.	零部件编码 Part NO.	零部件名称 Description		数量 QTY		
		中文	English	Price (USD)	SV230	Unit price
1	30101-00282-00	螺栓 M6×20			4	
2	20021-00015-00	气缸盖组件			1	
3	34024-00027-00	卡箍/B12			1	
4	34023-00110-01	废气管			1	
5	33048-00025-00	缸头盖密封垫			1	
6	30101-00281-00	六角法兰面螺栓 M6*12			3	
7	34021-00046-01	缸头导风罩			1	
8	30101-00469-01	六角法兰面螺栓 M8*70			2	
9	30101-00464-01	六角法兰面螺栓 M8*50			2	

E-01 气缸头组件 Cylinder head



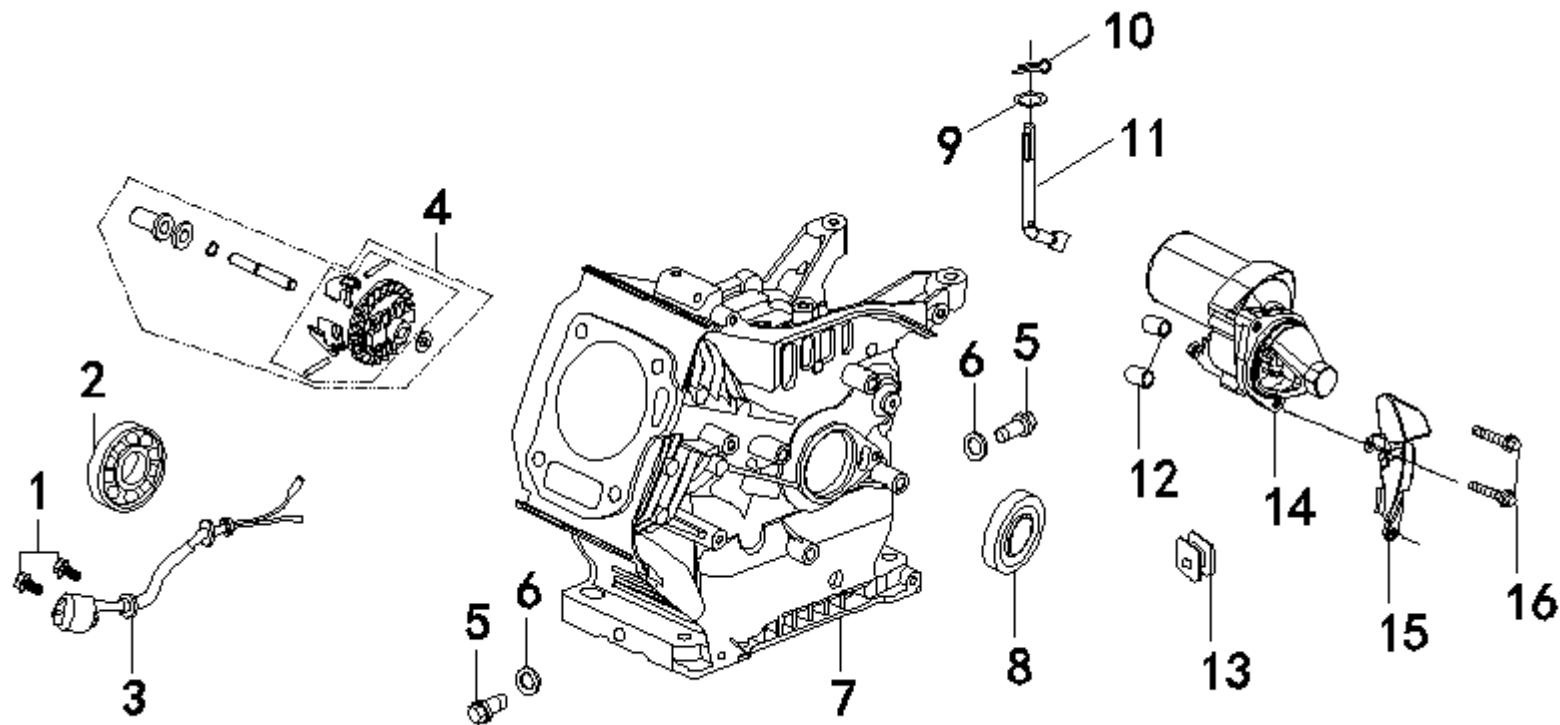
序号 NO.	零部件编码 Part NO.	零部件名称 Description			数量 QTY		
		中文	English	Price (USD)	SV230		N.W. (kg) /PC
10	34018-00005-01	进气门挡油罩			1		
11	30110-00027-01	排气双头螺栓			2		
12	30110-00018-00	进气双头螺栓			2		
13	34006-00009-00	定位销			2		
14	33048-00032-00	汽缸头密封垫			1		
15	20027-00008-00	火花塞部件			1		
16	20023-00025-00	汽缸头总成			1		

E-02 箱体组件 Crankcase assy



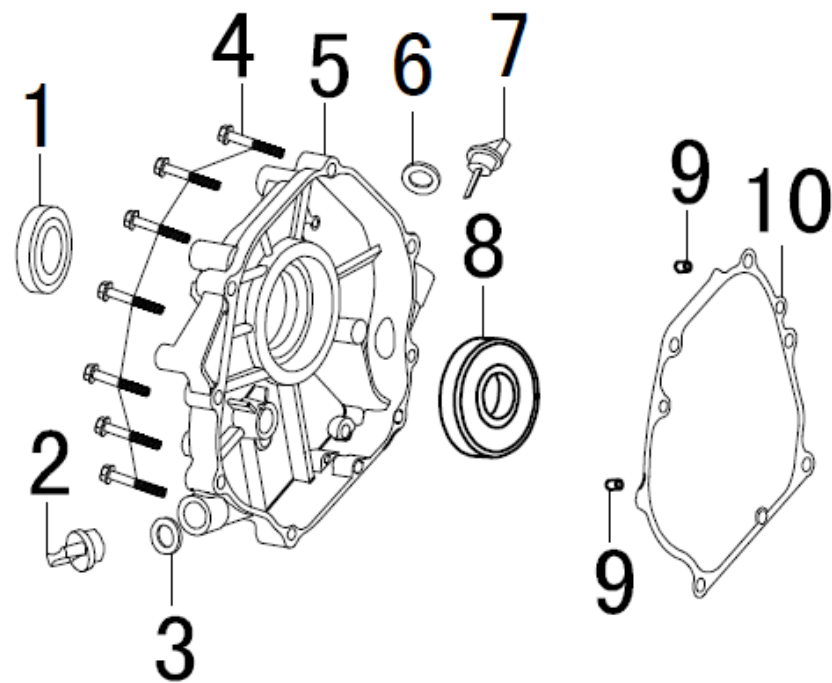
序号 NO.	零部件编码 Part NO.	零部件名称		Description	Price (USD)	数量 QTY	
		中文	English			SV230	N.W. (kg) /PC
1	30101-00277-00	螺栓 M6×16				2	
2	30141-00155-00	轴承 TM6205E				1	
3	33247-00005-01	机油传感器				1	
5	30101-00487-01	放油螺钉				2	
6	30136-00078-01	铝垫片				2	
7	34011-00117-00	曲轴箱体				1	
8	34007-00003-01	油封 25×41.25×6				1	

E-02 箱体组件 Crankcase assy



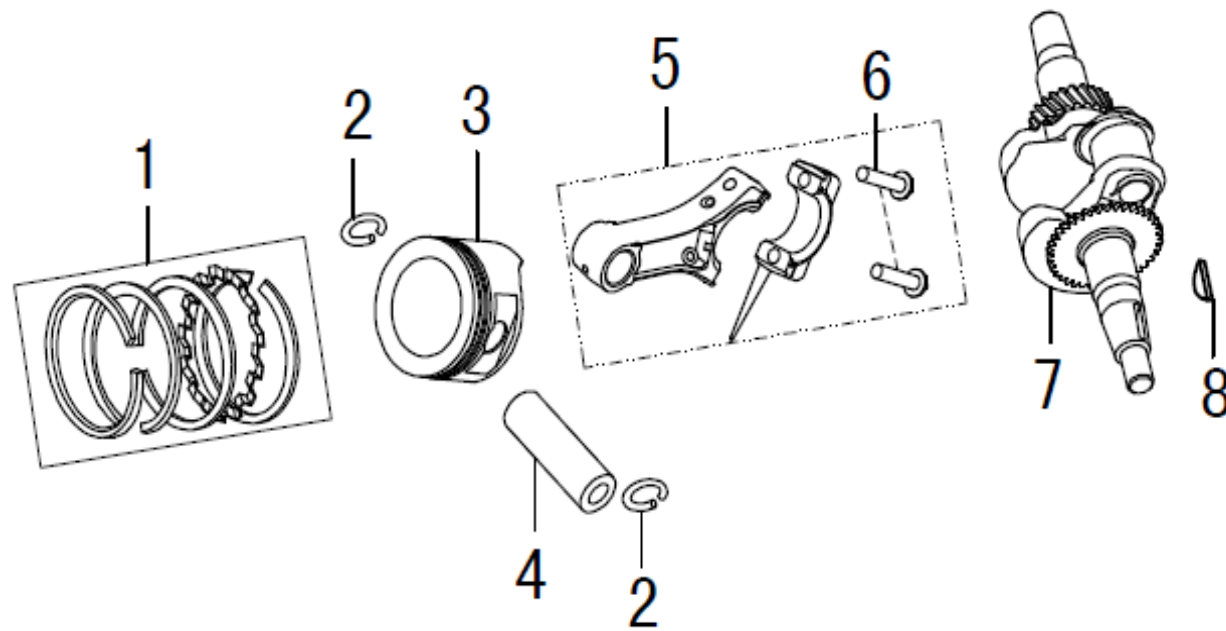
序号 NO.	零部件编码 Part NO.	零部件名称 Description		数量 QTY		
		中文	English	Price (USD)	SV230	N.W. (kg) /PC
12	34006-00001-00	定位销			1	
14	20149-00075-01	启动电机			1	
15	34021-00005-01	侧挡风板			1	
16	30101-00410-01	六角法兰面螺栓			2	

E-03 曲轴箱盖 Crankcase cover



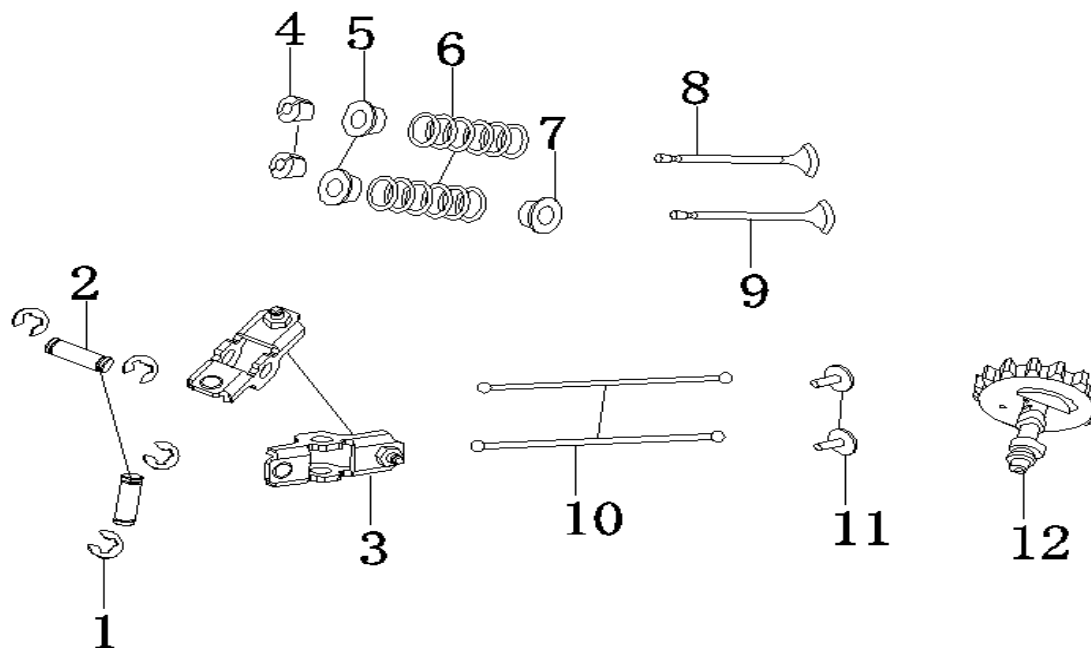
序号 NO.	零部件编码 Part NO.	零部件名称 Description		Price (USD)	数量 QTY		
		中文	English		SV230		N.W. (kg) /PC
1	34007-00003-01	油封 $\Phi 25 \times \Phi 41.25 \times 6$			1		
2	20026-00016-02	机油塞			1		
3		密封圈			1		
4	30101-00279-00	合箱螺栓 M8*32			7		
5	33129-00013-00	曲轴箱盖			1		
6		密封圈			1		
7	20026-00001-02	机油尺			1		
8	30141-00155-00	轴承 TM6205E			1		
9	34006-00001-00	定位销			2		
10	33048-00184-00	合箱纸垫			1		

E-04 曲轴活塞连杆总成 Crankshaft piston



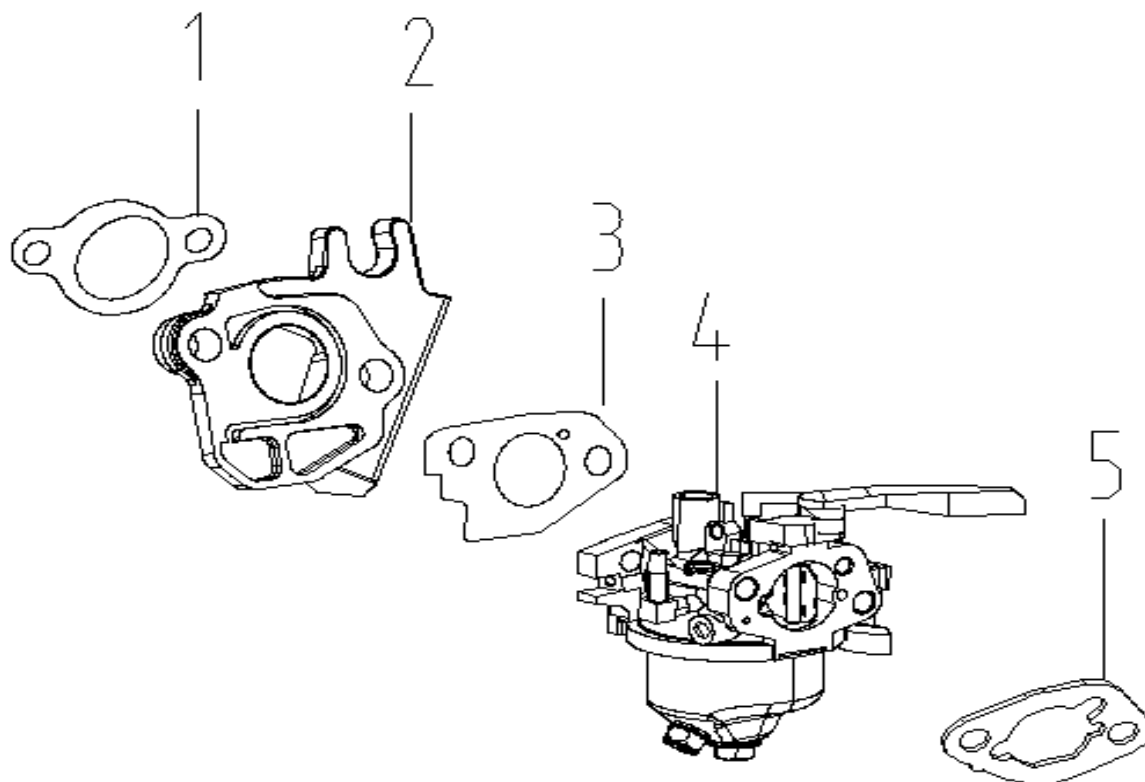
序号 NO.	零部件编码 Part NO.	零部件名称		Description	数量 QTY		
		中文	English		Price (USD)	SV230	N.W. (kg) /PC
1	20084-00005-00	活塞环组合			1		
2	30150-00022-00	活塞销卡圈			2		
3	34004-00011-00	活塞			1		
4	34006-00013-00	活塞销			1		
5	20008-00005-00	连杆总成			1		
6		连杆大头连接螺钉			2		
7	20011-00069-00	曲轴总成			1		
8	70009-00075-00	半圆键			1		

E-05 凸轮轴（配气结构） Camshaft



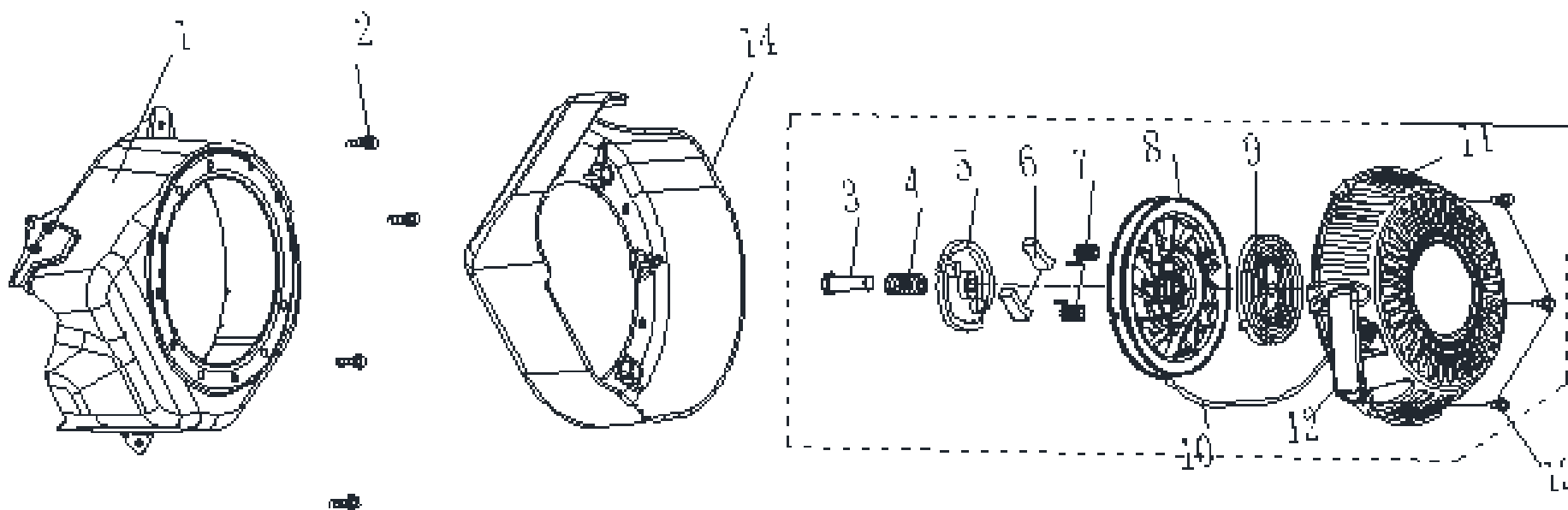
序号 NO.	零部件编码 Part NO.	零部件名称 Description			数量 QTY		
		中文	English	Price (USD)	SV230		N.W. (kg) /PC
1	30150-00028-00	轴用弹性挡圈			4		
2	30134-00007-00	摇臂轴			2		
3	34019-00008-00	气门摇臂组件			2		
4	34016-00011-00	气门锁夹			4		
5	34016-00010-00	气门弹簧座			2		
6	34015-00003-00	气门弹簧			2		
7	34018-00005-01	进气门挡油罩			1		
8	34013-00037-00	排气门			1		
9	34013-00035-00	进气门			1		
10	34020-00007-00	气门推杆			2		
11	34008-00004-00	气门挺柱			2		
12	20012-00011-00	凸轮轴总成			1		

E-06 化油器总成 Carburetor



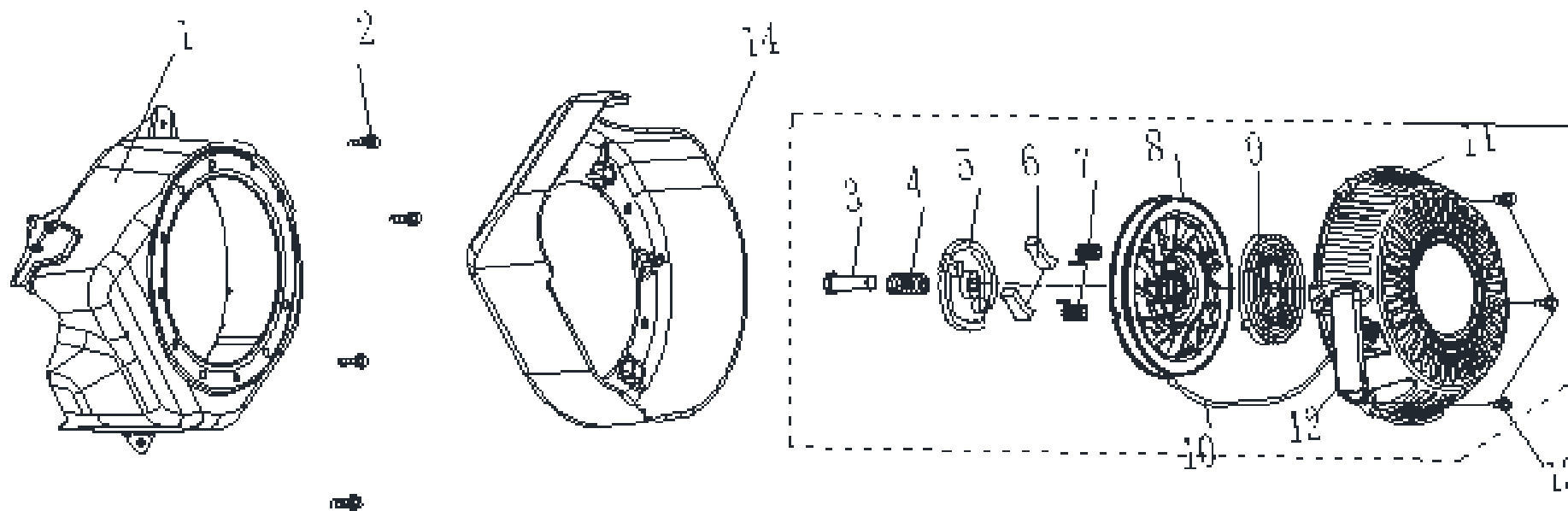
序号 NO.	零部件编码 Part NO.	零部件名称 Description			数量 QTY		
		中文	English	Price (USD)	SV230		N.W. (kg) /PC
1	33048-00051-00	进气口密封垫			1		
2	34012-00015-01	化油器连接块			1		
3	33048-00076-00	化油器垫片			1		
4	20024-00317-00	化油器总成			1		
5	33048-00045-01	空滤器密封垫			1		

E-07 反冲起动器总成 Recoil starter



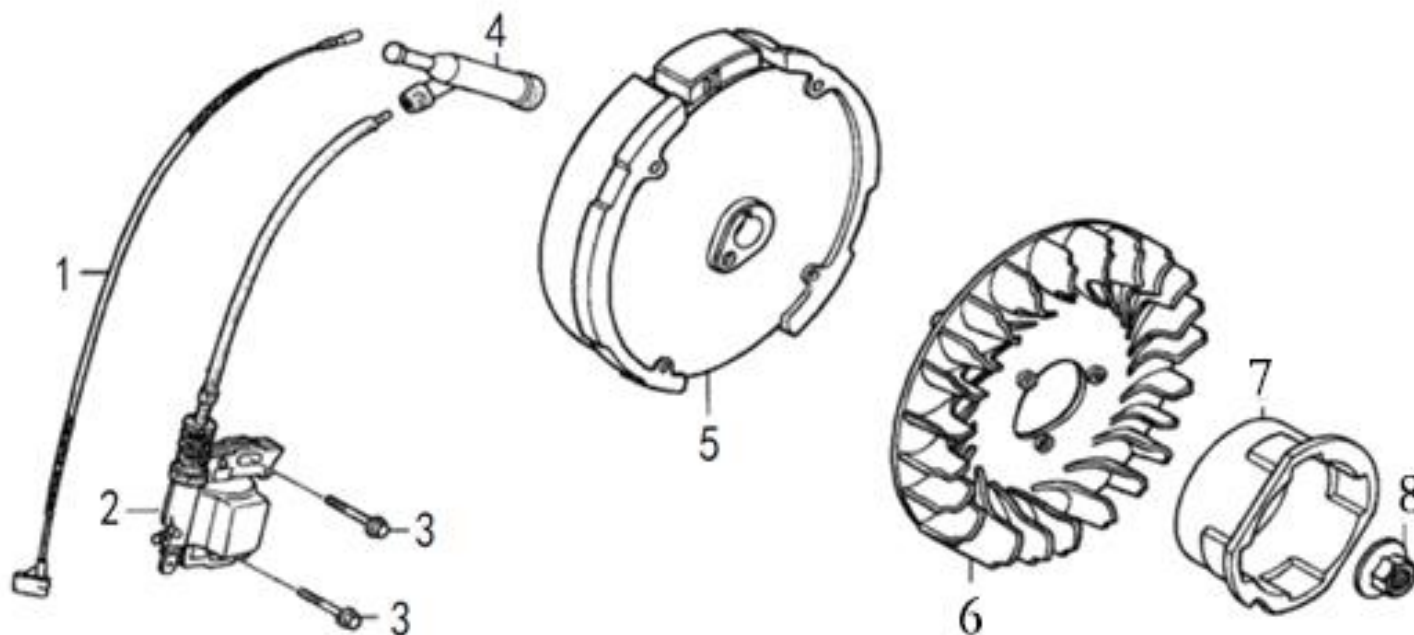
序号 NO.	零部件编码 Part NO.	零部件名称 Description			数量 QTY		
		中文	English	Price (USD)	SV230		N.W. (kg) /PC
1	20010-00115-01	反冲启动器外罩			1		
2	30101-00281-00	六角发烂漫螺栓 M6*12			4		
3		轴位螺钉			1		
4		启动弹簧			1		
5		棘爪导板			1		
6		棘爪			2		
7		复位弹簧			2		

E-07 反冲起动器总成 Recoil starter



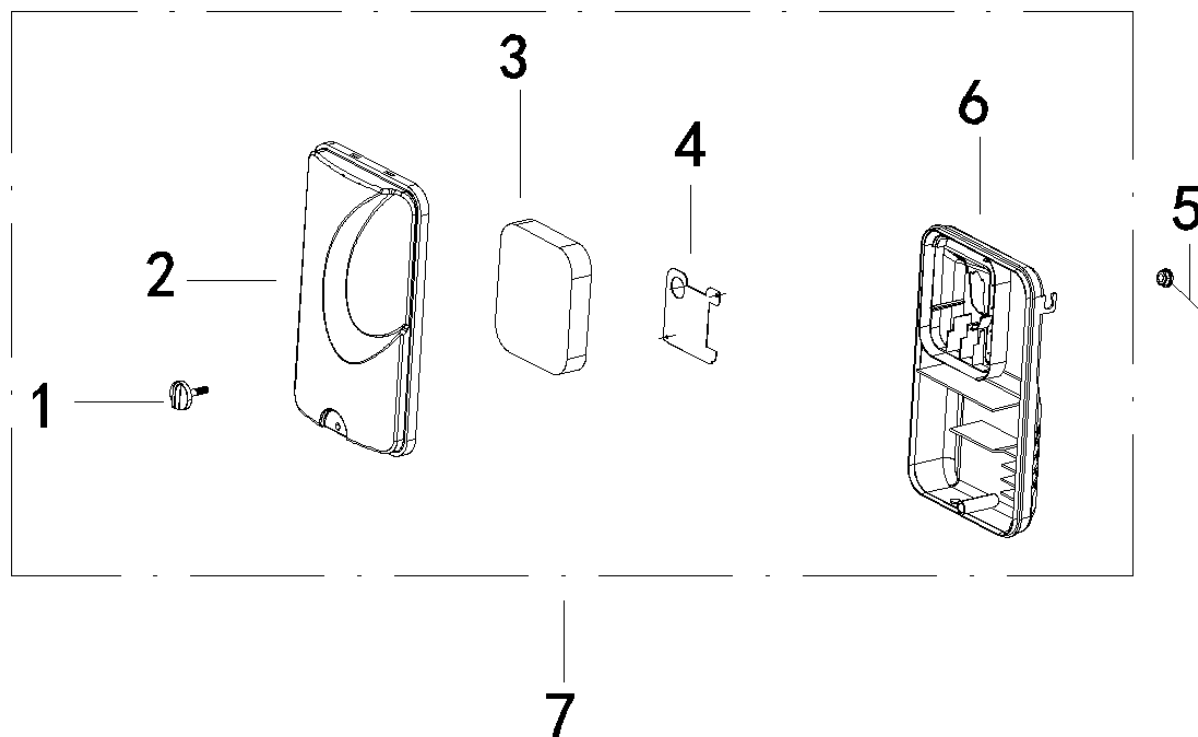
序号 NO.	零部件编码 Part NO.	零部件名称 Description		数量 QTY	数量 QTY	
		中文	English		Price (USD)	SV230
8		卷轴			1	
9		启动器盘簧			1	
10		启动拉绳			1	
11	20034-00046-01	启动器拉盘			1	
12	20184-00015-01	拉手			1	
13	30101-00662-01	六角法兰面螺栓/M6			3	
					1	

E-9 飞轮 Flywheel



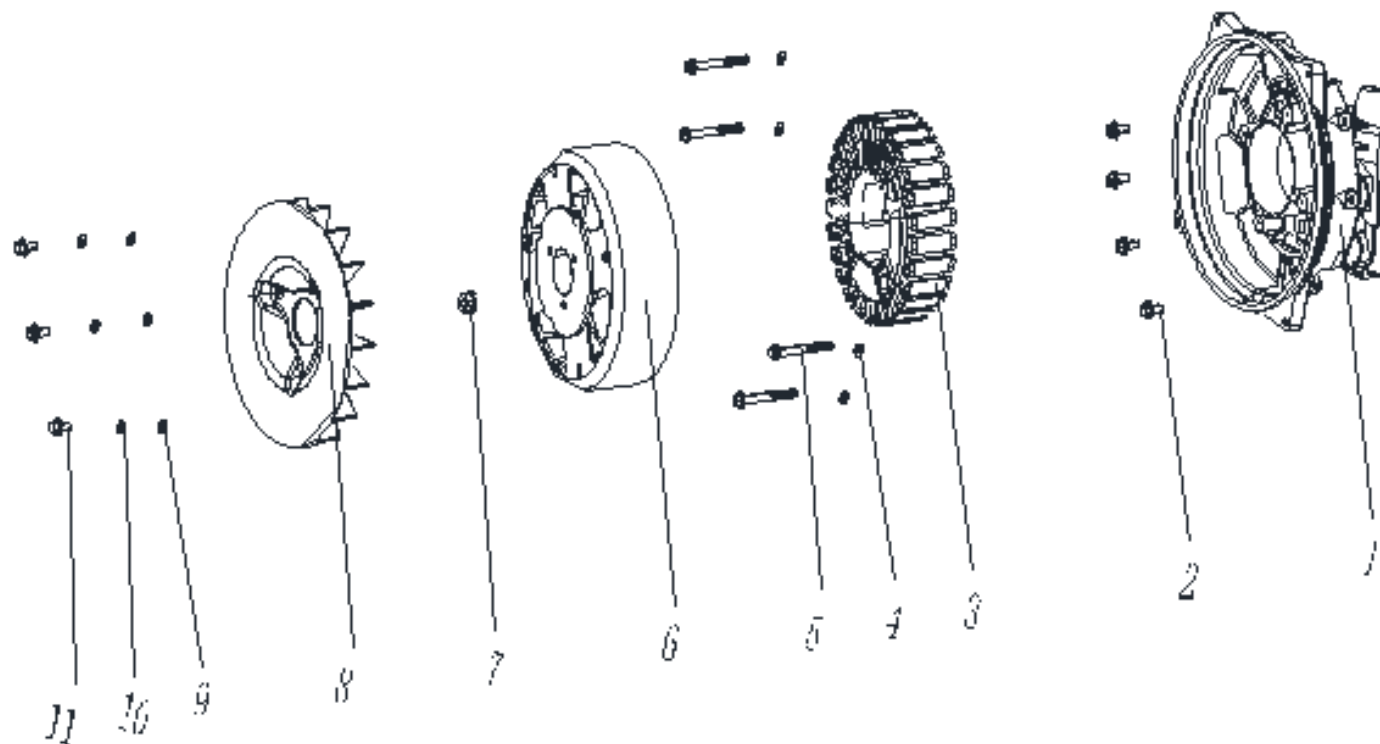
序号 NO.	零部件编码 Part NO.	零部件名称 Description			数量 QTY		
		中文	English	Price(USD)	SV230		N.W. (kg) /PC
2	20028-00051-01	点火器总成			1		
3	30101-00283-00	螺栓 M6×25			2		
5	33099-00038-00	飞轮组合			1		
6	33155-00053-01	风扇			1		
7	34022-00031-01	启动杯			1		
8	30125-00011-01	螺母 M14			1		

E-10 空气滤清器 Air cleaner



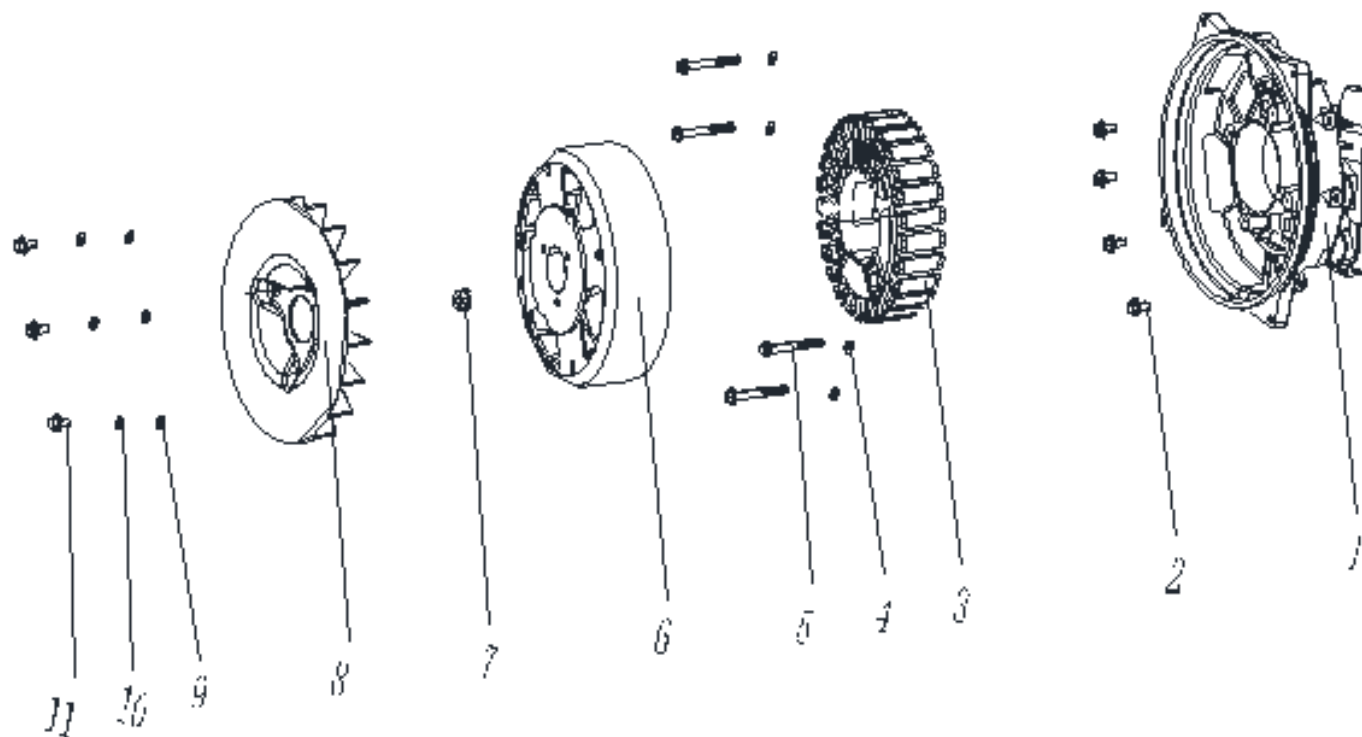
序号 NO.	零部件编码 Part NO.	零部件名称		Description	Price (USD)	数量 QTY	
		中文	English			SV230	N.W. (kg) /PC
1		螺栓	BOLT,BUTTERFLY		1		
2		空滤器盖组件	COVER,AIR CLEANER		1		
3	70002-02766-00	空滤器滤芯	ELEMENT ASSY,AIR CLEANER		1		
4		金属挡板	PLATE		1		
5	30125-00013-00	带盘螺母	NUT,BUTTERFLY		2		
6		座体组合	ELBOW COMP,AIR CLEANER		1		
7	20025-00160-00	空滤器总成	AIR CLEANER ASSY		1		

E-11 电机



序号 NO.	零部件编码 Part NO.	零部件名称 Description		Price (USD)	数量 QTY		
		中文	English		SV230		N.W. (kg) /PC
1	33191-00140-00	电机罩			1		
2	30101-00359-01	六角法兰面螺栓/M8			4		
4	30139-00034-01	弹簧垫圈/Φ6/			4		
5	30113-00105-01	内六角圆柱头螺钉/M6			4		
6	20004-00048-00	变频电机			1		
7	30125-00011-01	六角法兰面螺母/M14			1		

E-11 电机



序号 NO.	零部件编码 Part NO.	零部件名称 Description		Price (USD)	数量 QTY		
		中文	English		SV230		N.W. (kg) /PC
8	33155-00043-01	风扇/			1		
9	30136-00092-01	摆杆垫片/Φ6			3		
10	30139-00034-01	弹簧垫圈/Φ6/			3		
11	30101-00405-01	六角法兰面螺栓/M6			3		