



SC9000E

10001-02601-00/7KW

E-01.....3~4
Generator

E-025~6
Fuel tank assembly

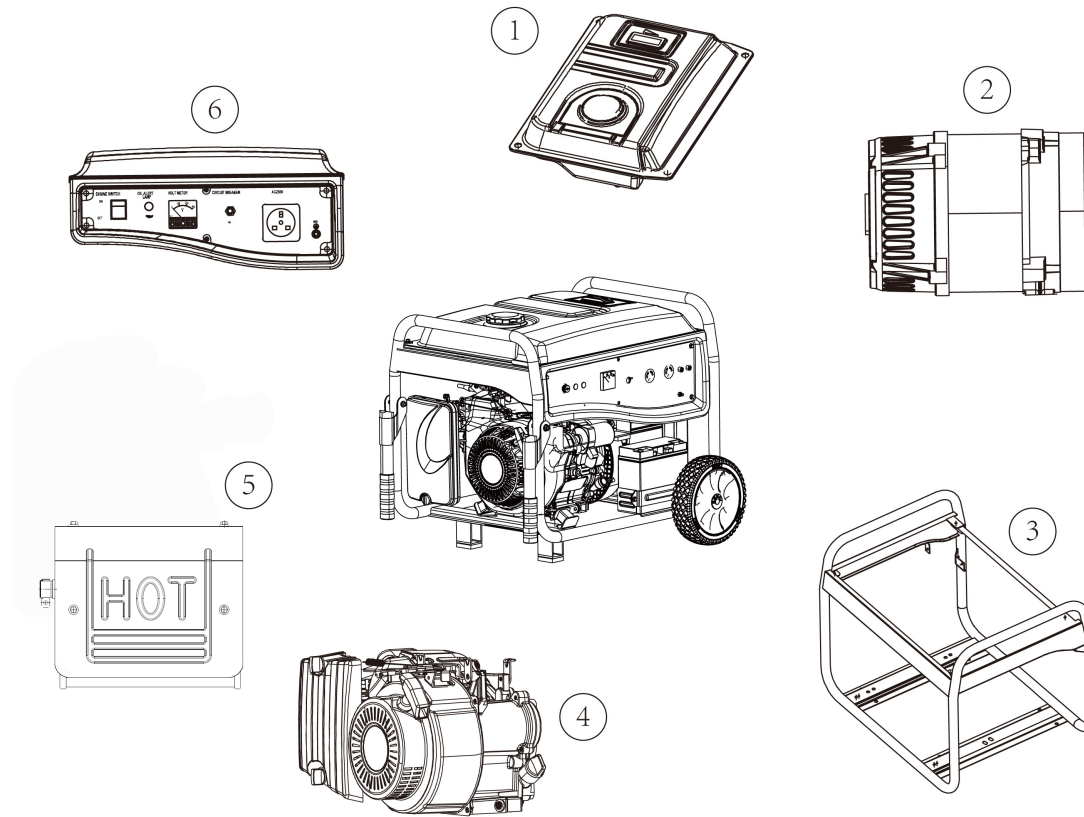
E-037~8
Motor assembly

E-049~12
Frame assembly

E-0513~14
Control panel assembly

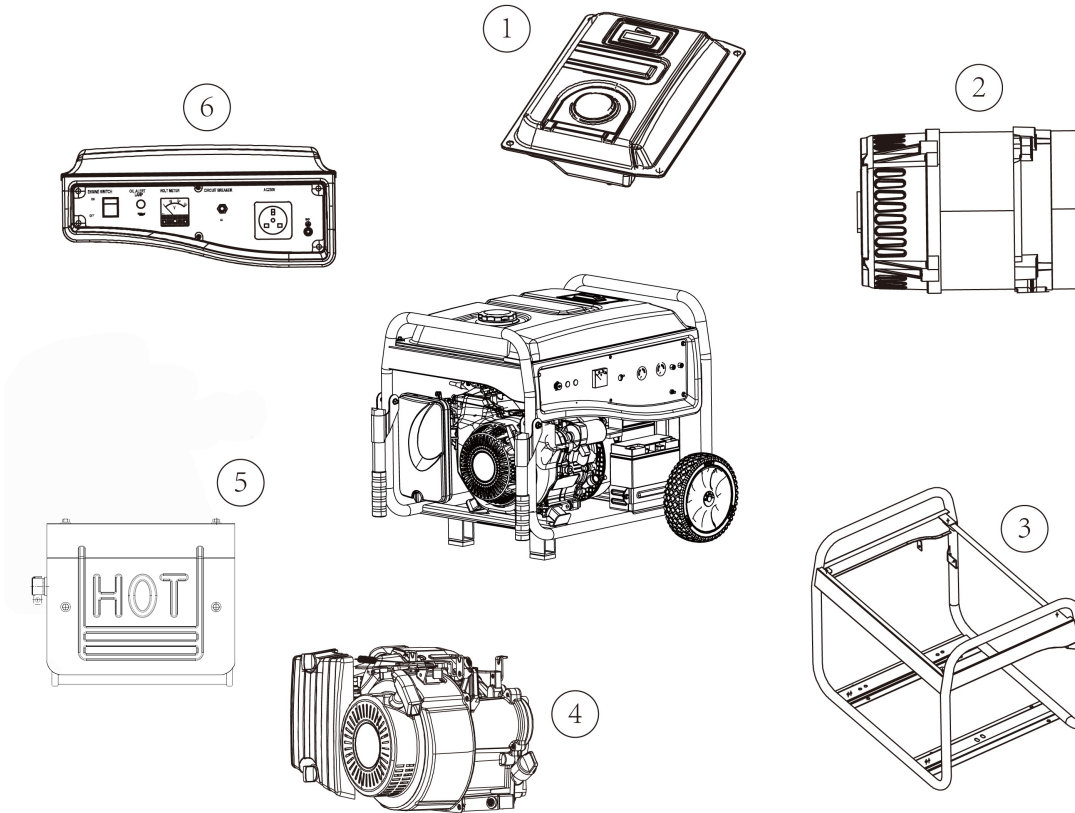
E-0615
Muffler assembly

E-01



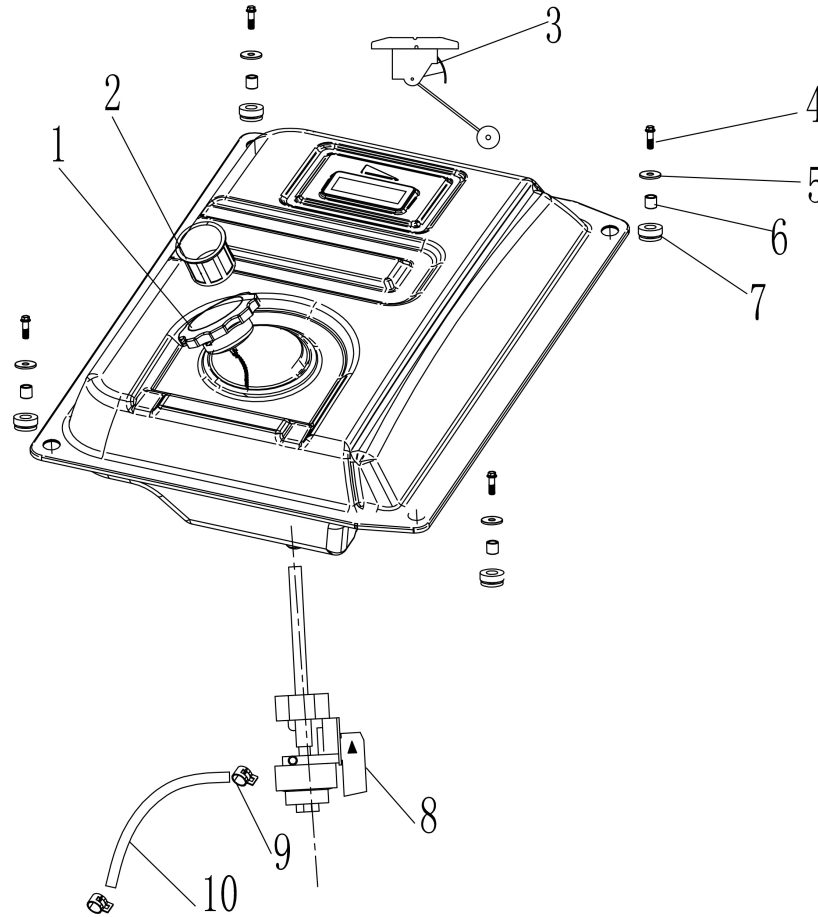
NO.	Part NO.	Description		QTY	
		English	Price (USD)	QTY	N.W. (kg) /PC
1	20130-00115-01	Fuel tank assembly		1	
2	20029-11621-00	Alternator assembly		1	
3	20090-00099-01	Frame assembly		1	

E-01



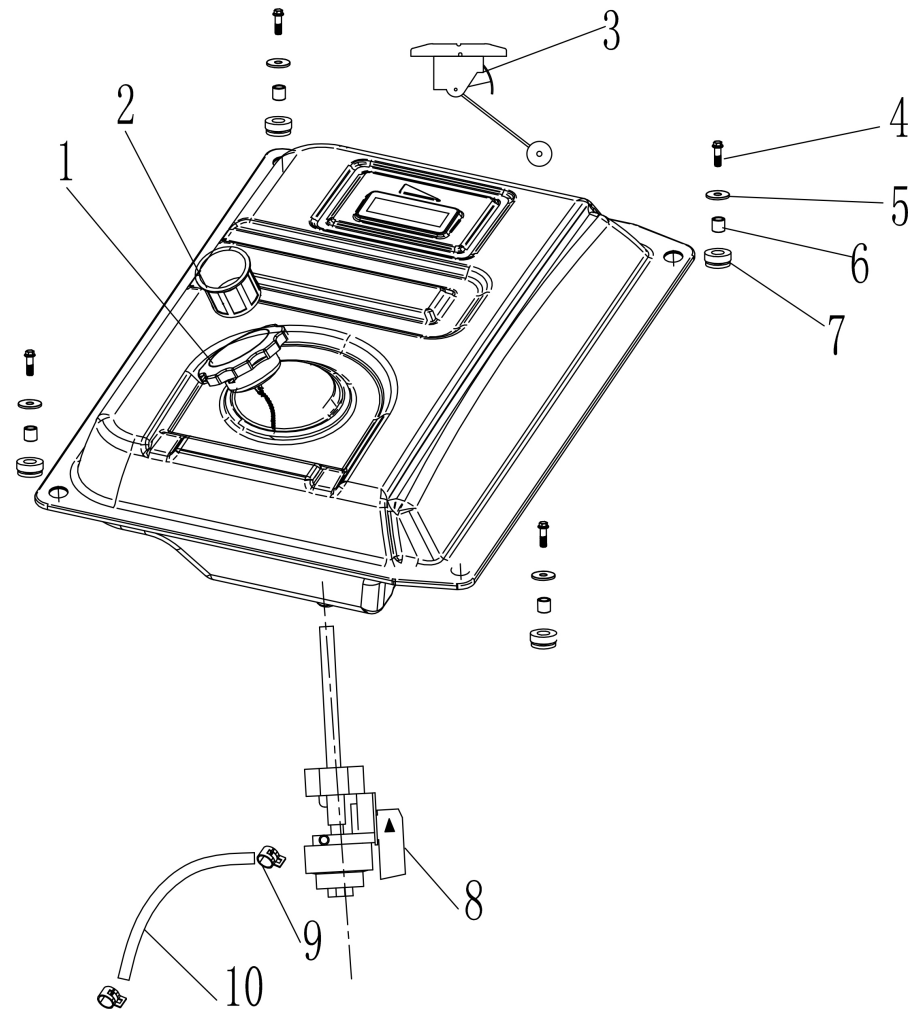
NO.	Part NO.	Description			QTY	
		English	Price (USD)	QTY	N.W. (kg) /PC	
4	20260-03595-00	Engine assembly		1		
5	20202-00254-01	Muffler assembly		1		
6	20114-03452-00	Control panel assembly		1		

E-02 Fuel tank gasket



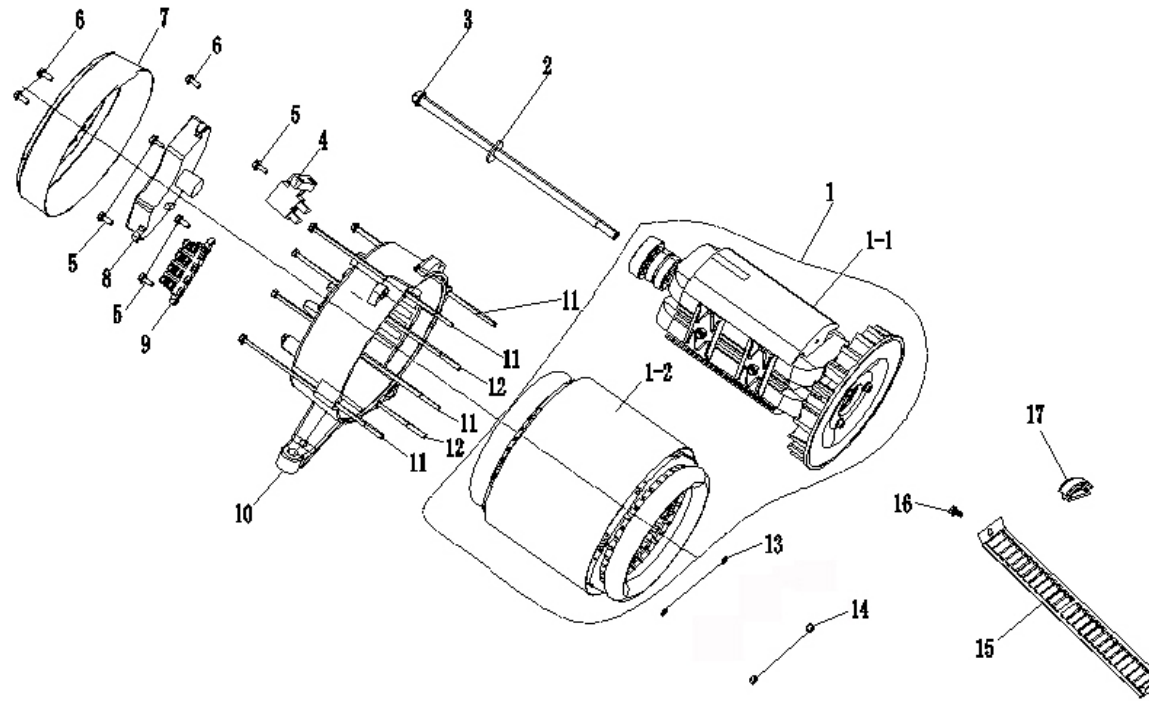
NO.	Part NO.	Description			QTY	
		English	Price (USD)	QTY	N.W. (kg) /PC	
1	20131-00014-00	Fuel cap		1		
2	34037-00020-00	Fuel filter		1		
3	70010-00145-00	Oil leveler		1		
4	30101-00407-00	Flange bolt		4		
5	30136-00074-00	Fuel tank gasket		4		
6	34032-00024-00	Bushing		4		

E-02 Fuel tank gasket



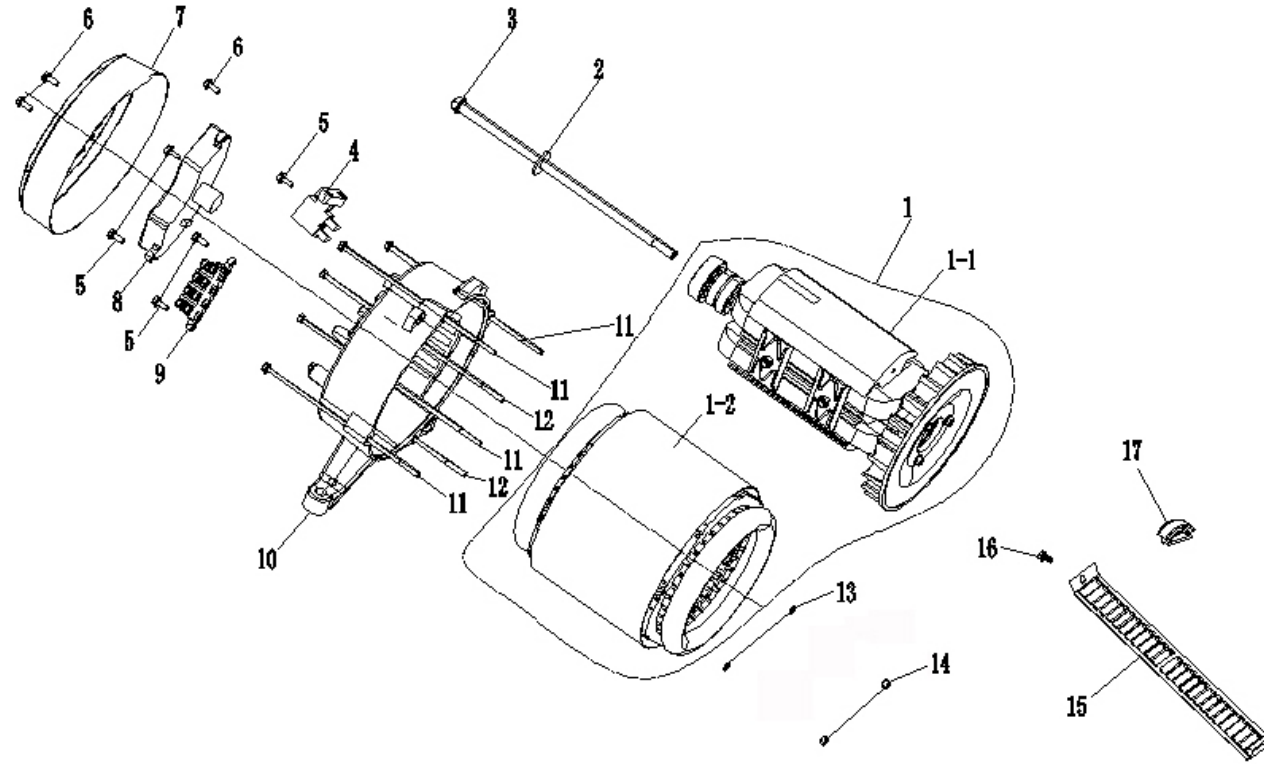
NO.	Part NO.	Description			QTY	
		English	Price (USD)	QTY	N.W. (kg) /PC	
7	33015-00034-00	Fuel tank rubber mat		4		
8	20133-00002-00	Fuel valve		1		
9	34024-00002-00	Clamp		2		
10	34023-00004-00	Fuel pipe		0.18		

E-03 Motor assembly



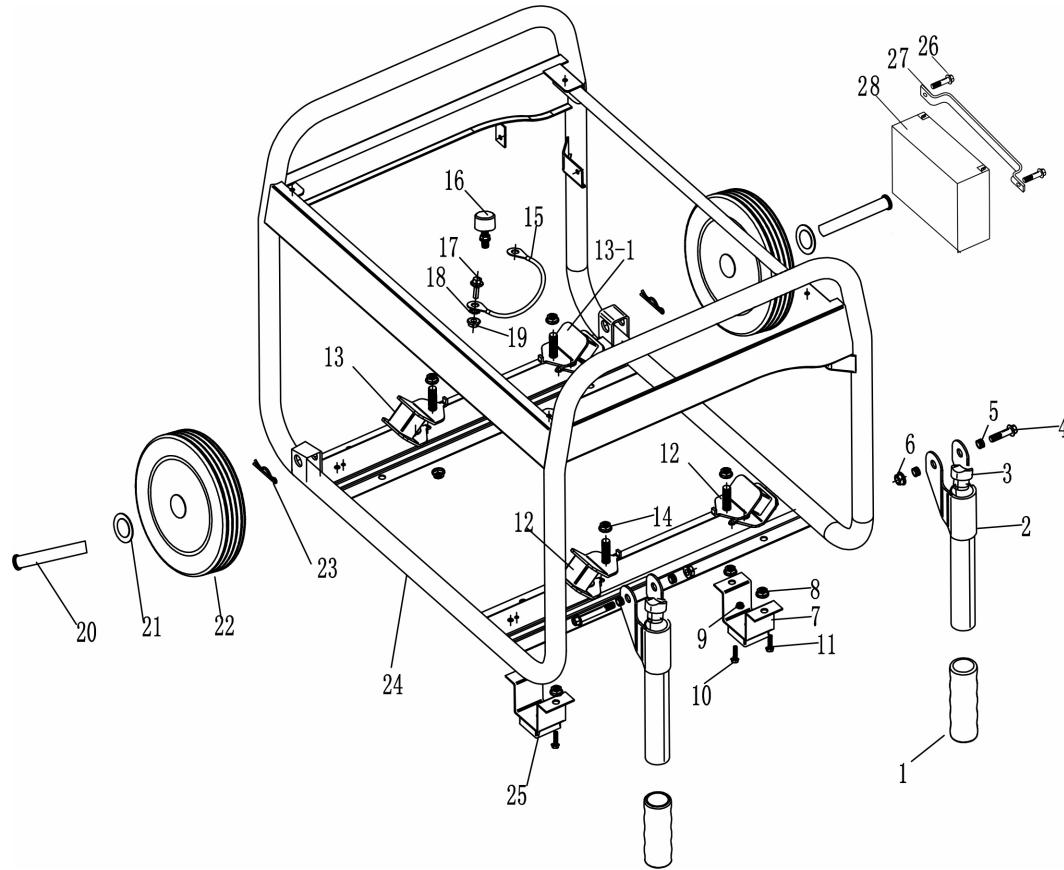
NO.	Part NO.	Description		QTY	
		English	Price (USD)	QTY	N.W. (kg) /PC
1	20029-09386-00	alternator assembly		1	
2	30136-00127-00	plain washer		1	
1-1	20256-01433-00	Rotor		1	
1-2	20046-04627-00	Stator		1	
3	30101-00502-00	flange bolt		1	
4	20183-00015-00	carbon brush		1	
5	30101-00068-00	flange bolt		5	
6	30101-00066-00	flange bolt		3	
7	33082-00156-00	Alternator end cover		1	
8	20044-00029-01	Voltage regulator		1	
9	20107-00018-00	Wiring board		1	

E-03 Alternator assembly



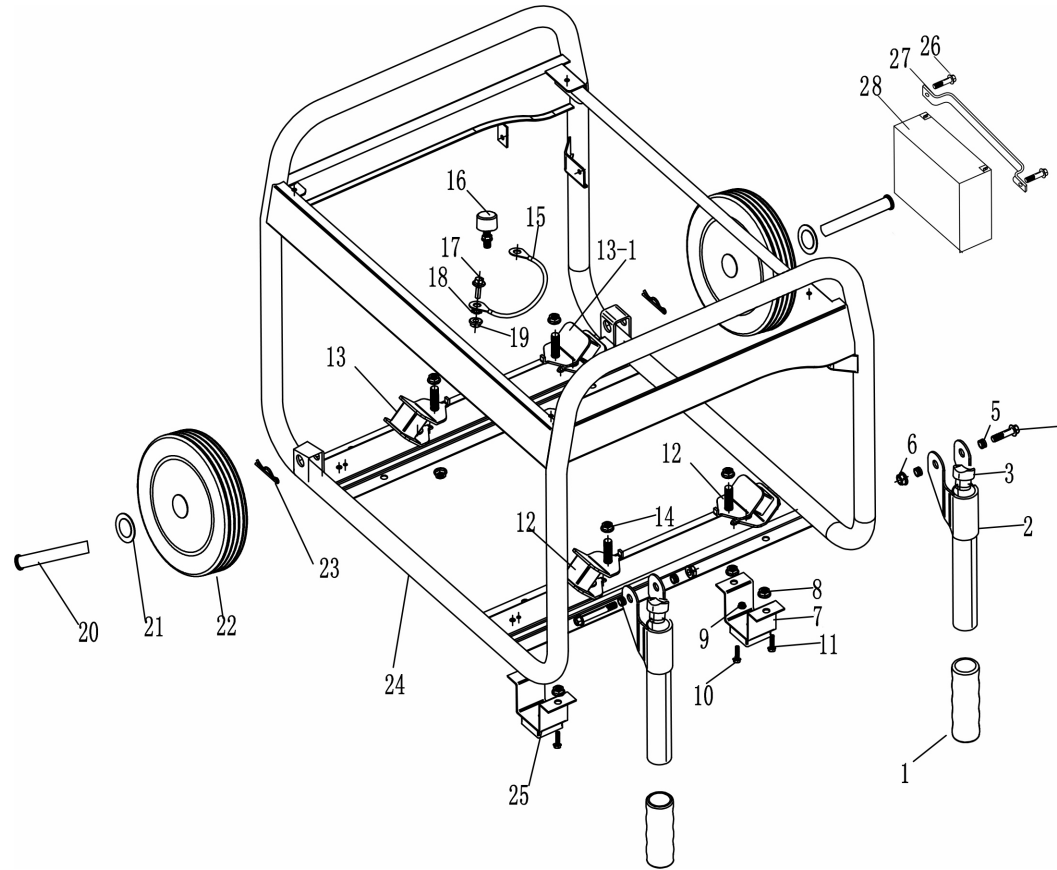
NO.	Part NO.	Description		QTY	
		English	Price (USD)	QTY	N.W. (kg) /PC
10	33085-00058-00	Alternator bracket		1	
11	30101-00090-01	Flange bolt		4	
12	30101-00070-00	Flange bolt		2	
13	30139-00041-00	Spring Washer		2	
14	30128-00018-01	Lock nut		2	
15	34021-00050-01	Windshield		1	
16	30101-00274-01	flange bolt		1	
17	33138-00017-01	Rubber Boots		1	

E-04 Frame assembly



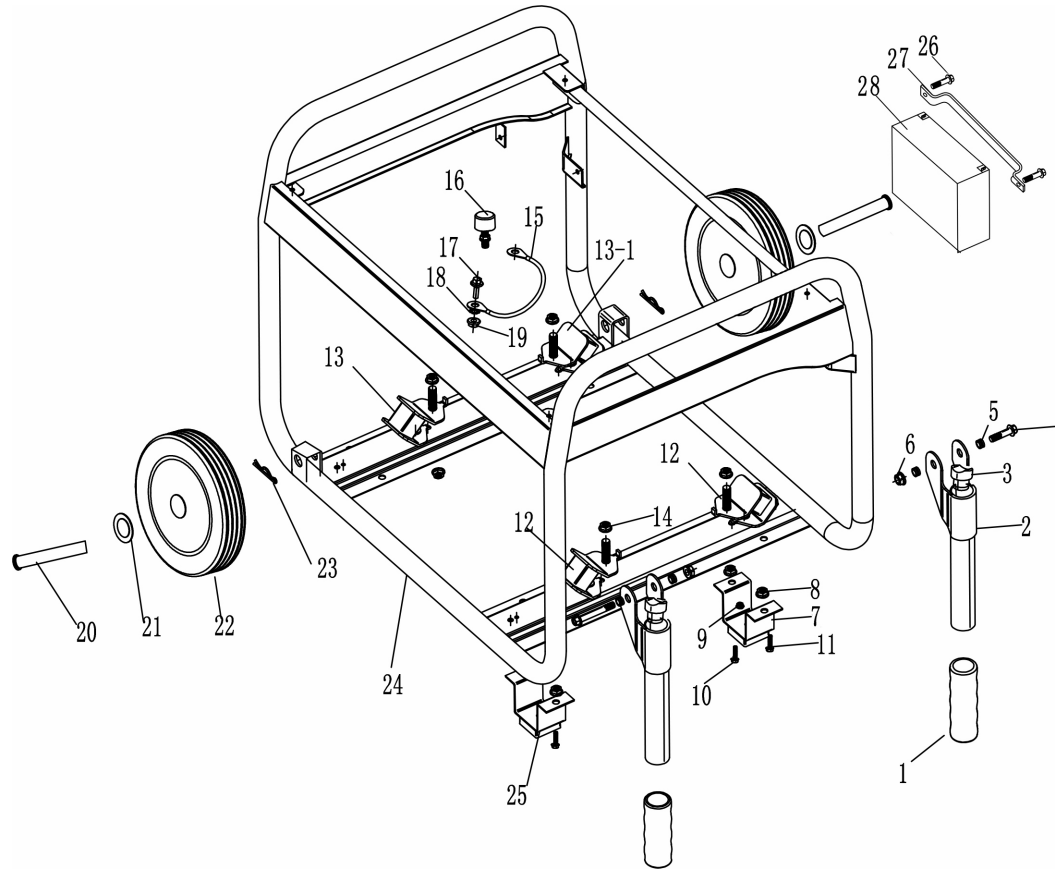
NO.	Part NO.	Description		QTY	
		English	Price (USD)	QTY	N.W. (kg) /PC
1	33015-00005-01	Handlebar rubber cover		2	
2	20135-00211-01	Handlebar components		2	
3	33036-00066-01	Handlebar plastic plug		2	
4	30101-00379-01	Flange bolt		2	
5	33275-00023-01	Washer		4	
6	30125-00023-02	Flange bolt		2	
7	20014-00154-01	Frame components		2	

E-04 Frame assembly



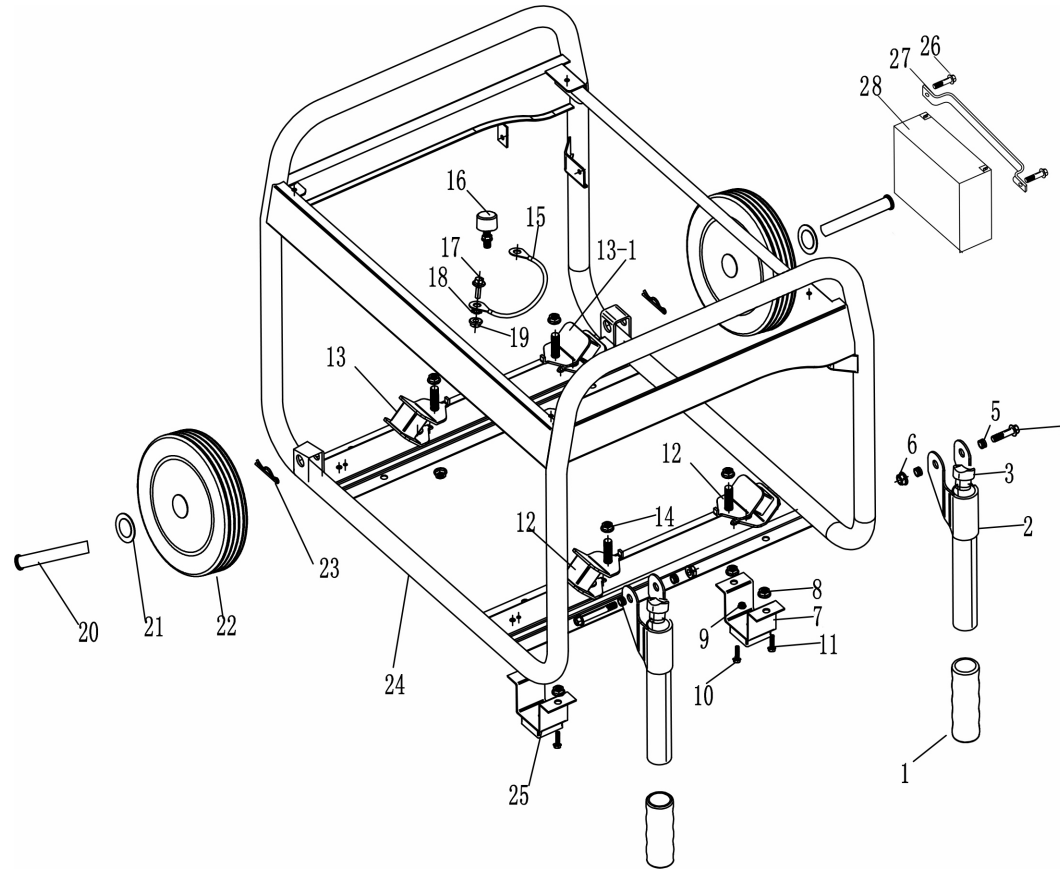
NO.	Part NO.	Description		QTY	
		English	Price (USD)	QTY	N.W. (kg) /PC
8	30125-00023-02	Flange bolt		8	
9	30125-00019-01	Flange nut		2	
10	30101-00405-01	Flange bolt		2	
11	30101-00355-01	Flange bolt		4	
12	34030-00009-01	Vibration absorb		1	
13	34030-00039-01	Vibration absorb A		1	
13-1	34030-00040-01	Vibration absorb B		2	

E-04 Frame assembly



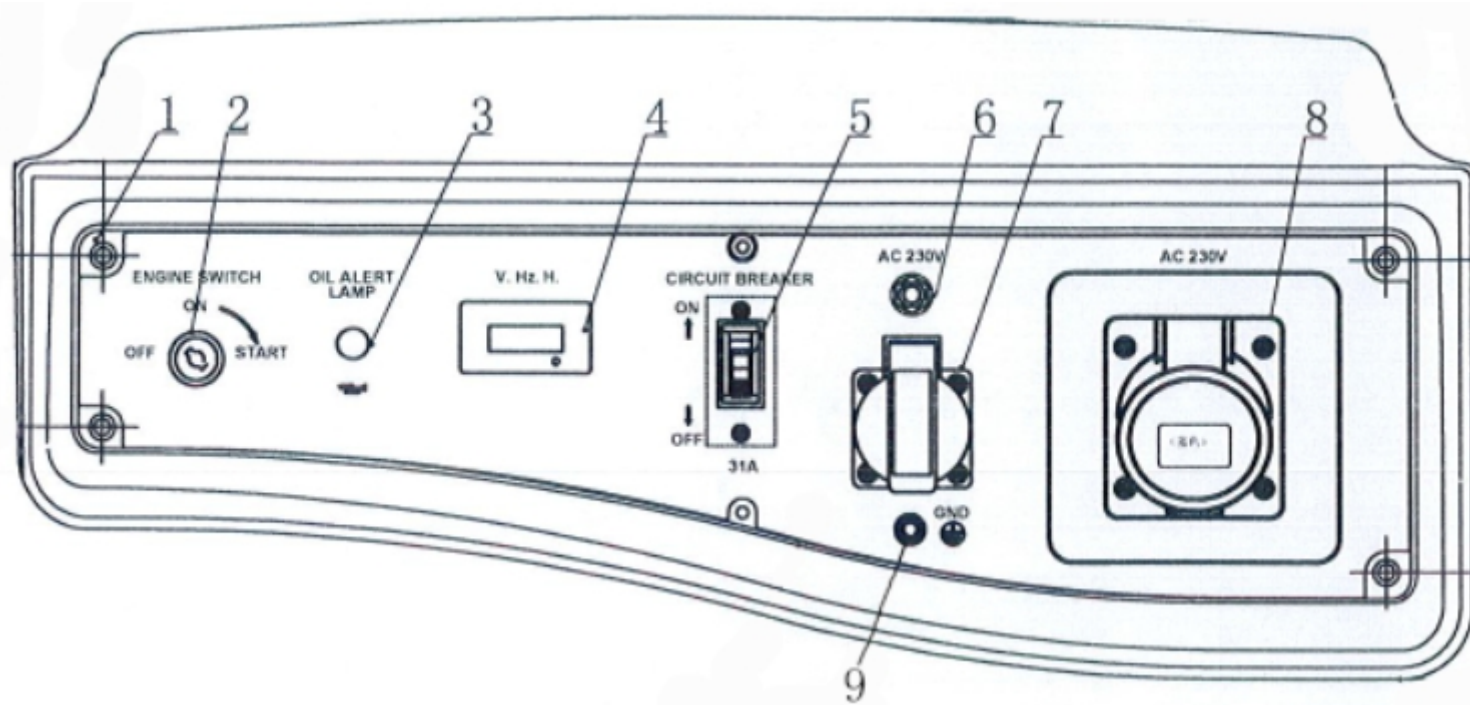
NO.	Part NO.	Description			QTY	
			English	Price (USD)	QTY	N.W. (kg) /PC
14	30125-00023-02		Flange nut		4	
15	20196-00122-01		Ground terminal		1	
16	34030-00009-01		Vibration absorb		1	
17	30101-00398-00		Flange bolt		1	
18	33301-00010-01		Washer		1	
19	30125-00019-01		Flange nut		1	
20	34031-00035-01		Axle		2	

E-04 Frame assembly



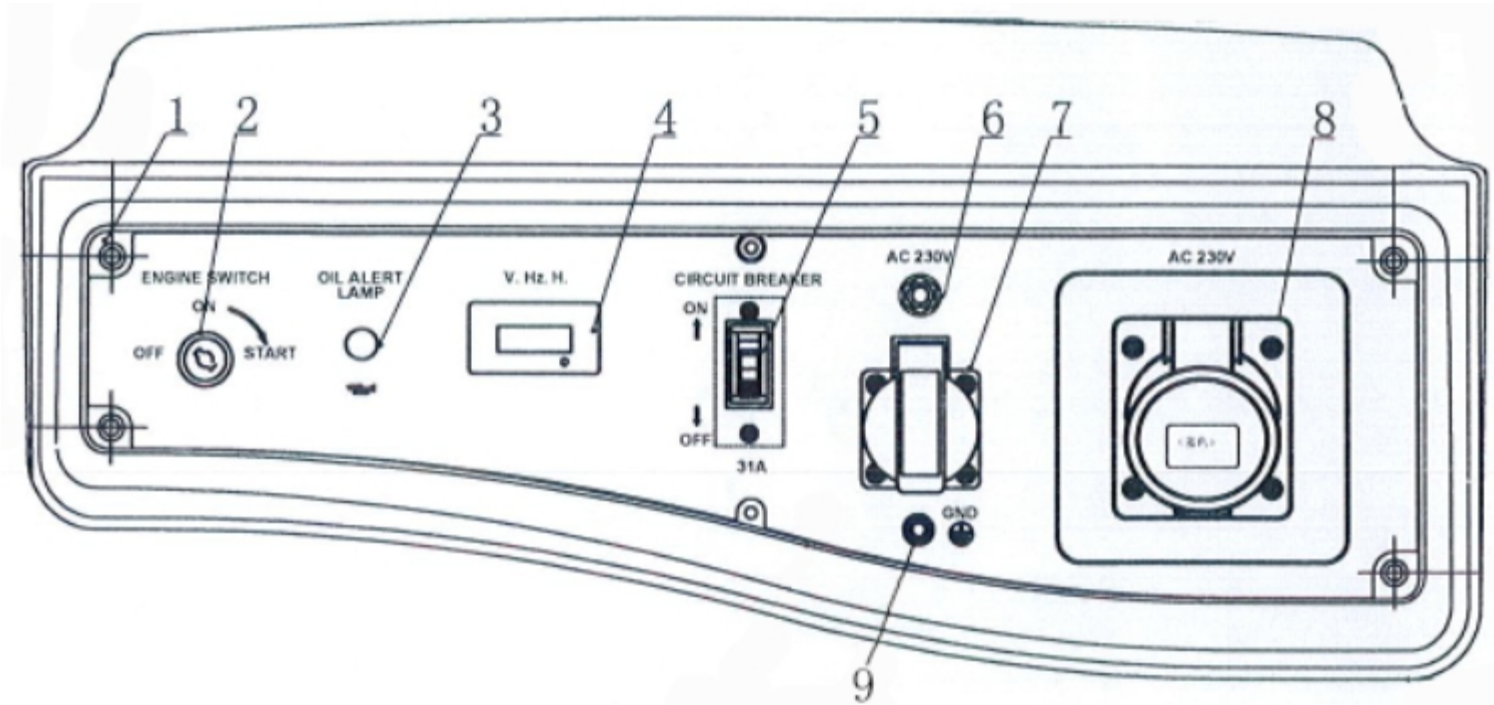
NO.	Part NO.	Description		QTY	
		English	Price (USD)	QTY	N.W. (kg) /PC
21	30136-00086-01	Axle washer		2	
22	20134-00023-01	Wheel assembly		2	
23	34006-00020-01	Clip, dowel pin		2	
24	20090-00099-01	Frame components		1	
25	34030-00079-01	Brackets rubber washer		2	
26	30101-00398-00	Flange bolt		2	
27	20217-00039-00	Battery board		1	
28	31002-00046-00	Battery		1	

E-05 Control panel assembly



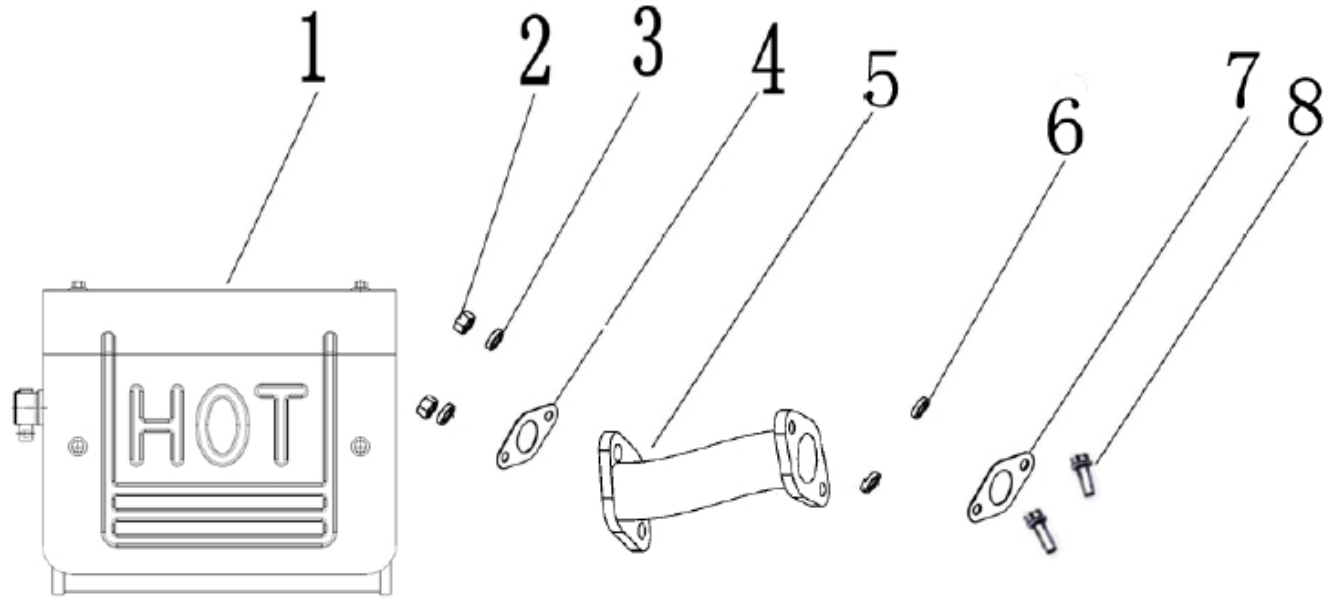
NO.	Part NO.	Description			QTY	
		English	Price (USD)		QTY	N.W. (kg) /PC
1	20114-03452-00	Control panel assy.			1	
2	31026-00075-00	Switch			1	
3	70001-00460-00	Engine oil indicator			1	
4	70005-00181-01	Hour meter			1	
5	31037-00133-00	Circuit breaker			1	
6	31038-00016-01	protector			1	

E-05 Control panel assembly



NO.	Part NO.	Description		QTY	N.W. (kg) /PC
		English	Price (USD)		
7	31034-00066-01	Protector		1	
8	31034-00065-01	Socket		1	
9	70009-00396-00	Grounding terminal		1	

E-06 muffler assembly

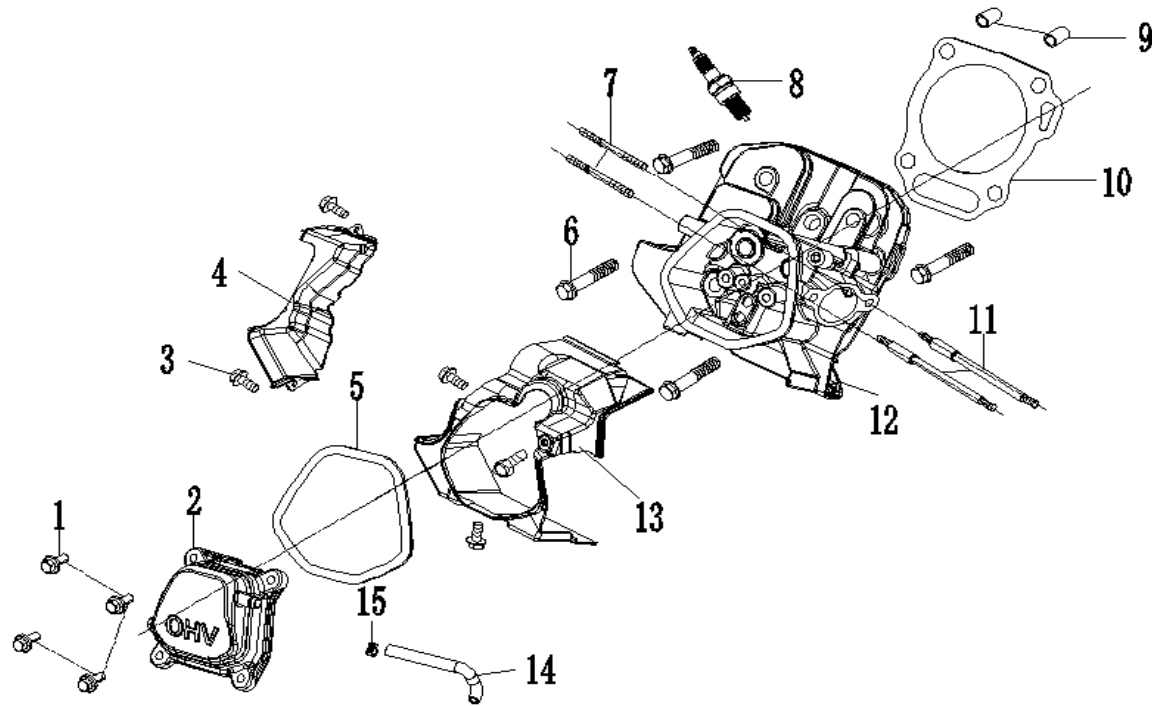


NO.	Part NO.	Description		QTY	
		English	Price (USD)	QTY	N.W. (kg) /PC
1	20202-00254-01	Muffler		1	
2	30121-00041-00	Hex nut		2	
3	30139-00038-00	Spring washer		2	
4	33048-00093-00	Muffler washer		2	
5	33339-00023-01	Connect pipe		1	
6	30139-00036-00	Spring washer		2	
7	33048-00094-00	Muffler washer		1	
8	30101-00367-01	Flange bolt		2	

Index to engineer group

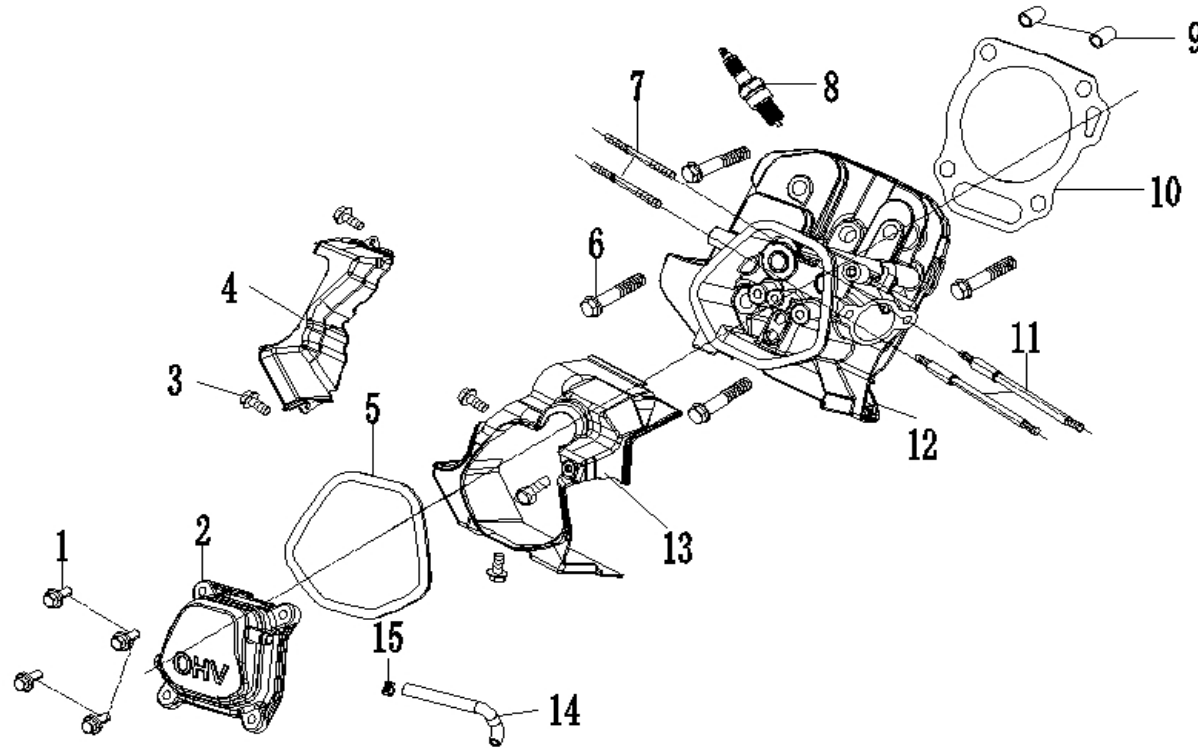
E-01	2~3	E-06	11~12
	Cylinder head Control		Carburetor
E-02	4~5	E-07	11~12
	Crankcase assy		Recoil starter
E-03	6	E-08	13
	Crankcase cover		Control system
E-04	7	E-09	14
	Crankshaft piston Air cleaner		Flywheel
E-05	8~9	E-10	15
	Camshaft		Air cleaner

E-01 Cylinder head



NO.	Part NO.	Description		QTY	
		English	Price (USD)	SC460	N.W. (kg) /PC
1	30101-00071-01	BOLT,M6×20		4	0.0075
2	20021-00018-00	COVER COMP.HEAD		1	0.2600
3	30101-00281-00	BOLT,M6×12		5	0.0030
4	34021-00014-01	WIND GUIDER		1	0.0400
5	33048-00154-00	GASKET,HEAD COVER		1	0.0010
6	30101-00289-01	BOLT		4	0.0579
7	30110-00027-01	BOLT,STUD,EXHAUST		2	0.0111

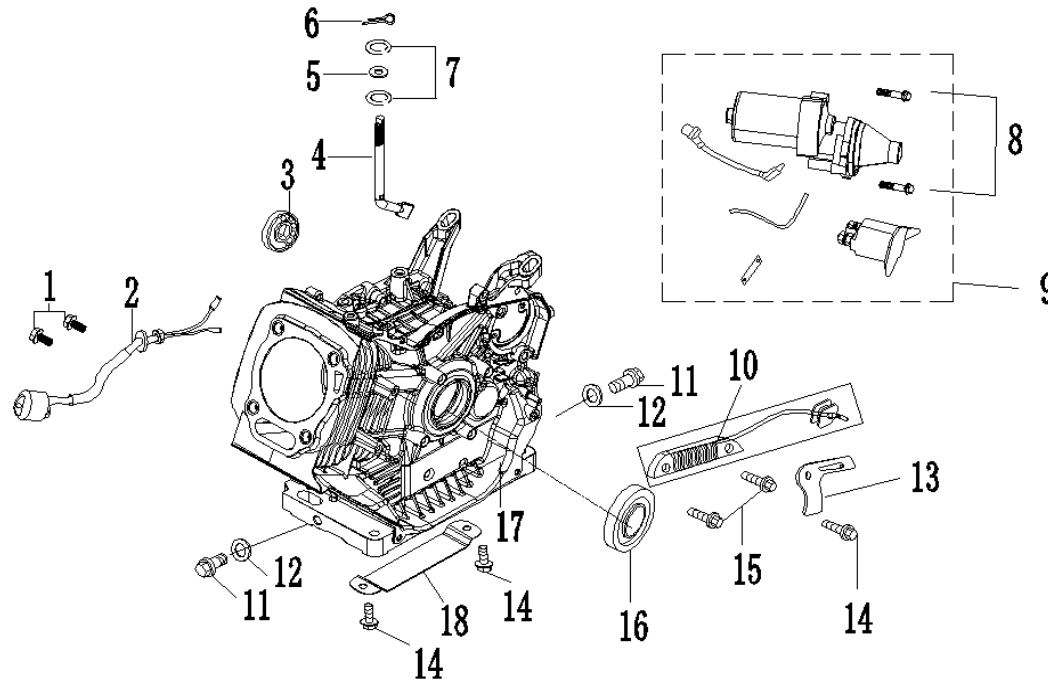
E-01 Cylinder head



NO.	Part NO.	Description		QTY	
		English	Price (USD)	SC460	N.W. (kg) /PC
8	20027-00011-00	SPARK PLUG		1	0.0575
9	34006-00001-00	DOWEL PIN		2	0.0042
10	33048-00036-00	GASKET,HEAD COVER		1	0.0172
11	30110-00021-01	BOLT,STUD,INTAKE		2	0.0286
12	20023-00049-00	CYLINDER HEAD COMP		1	1.6851
13	34021-00062-01	SHROUD		1	0.1200
14	34023-00074-01	TUBE,BREATHER		1	0.0253
15	34024-00056-01	CLIP,FUEL PIPE		1	0.0025

E-02

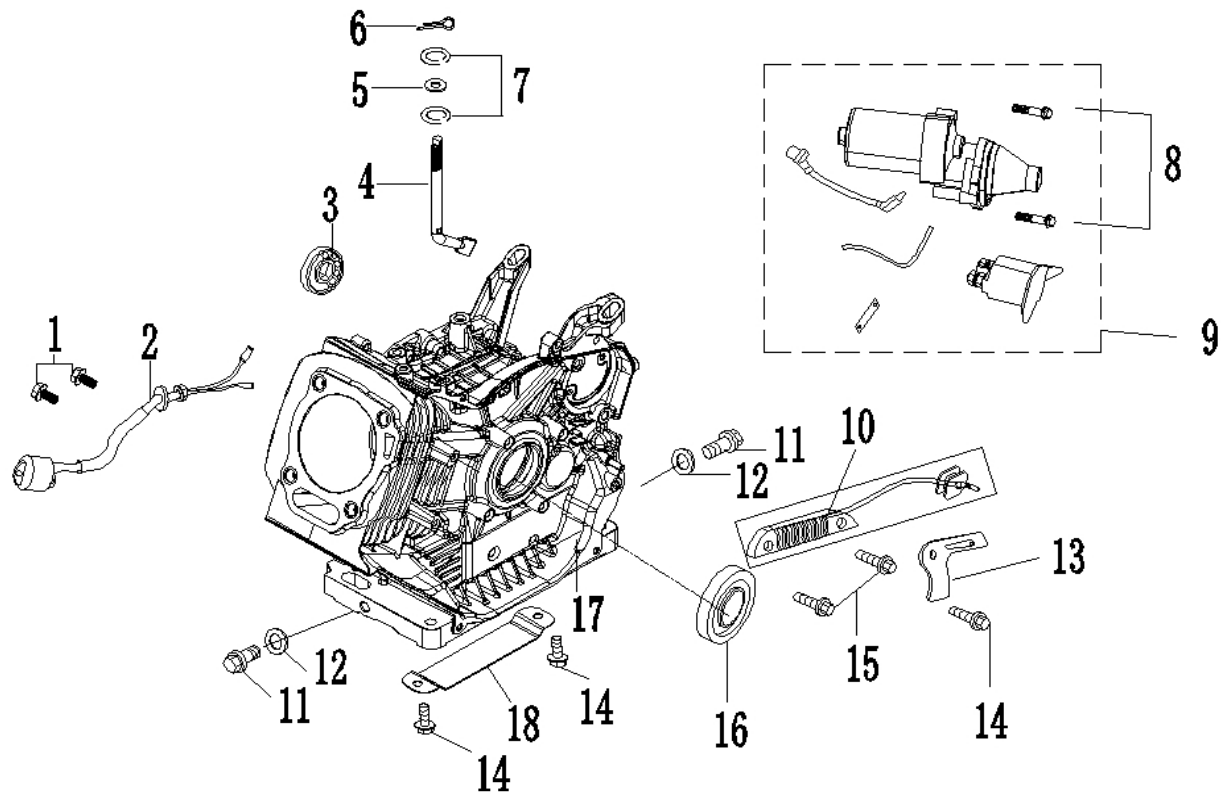
Crankcase assy



NO.	Part NO.	Description		QTY	
		English	Price (USD)	SC460	N.W. (kg) /PC
1	30101-00277-00	BOLT		2	0.0060
2	33247-00010-01	ENGINE OIL SENSOR		1	0.0459
3	30141-00112-00	BEARING		1	0.04477
4	34026-00005-01	SHAFT,GOVERNOR		1	0.03730
5	34007-00002-01	OIL SEAL		1	0.00105
6	34006-00017-00	PIN, LOCK		1	0.00060
7	30136-00097-00	WASHER		2	0.00120
8	30101-00279-00	BOLT		2	0.02001
9	20149-00009-01	Start motor		1	1.80000

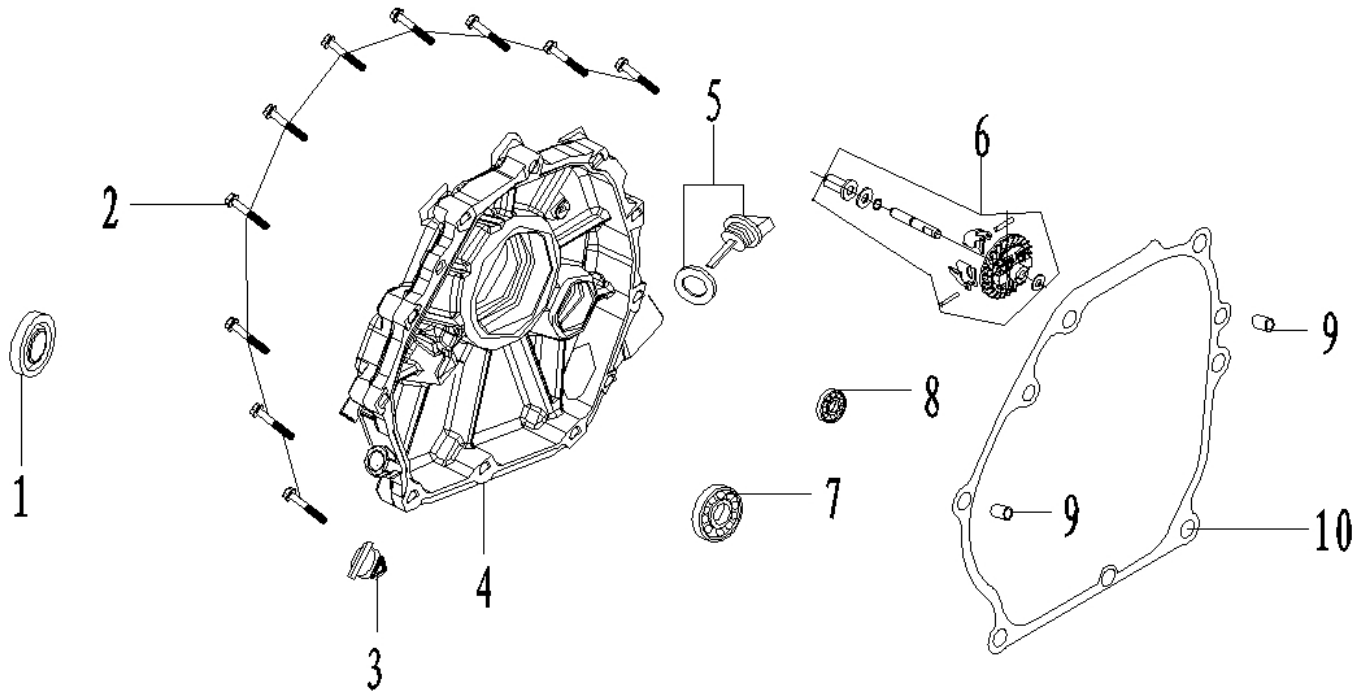
E-02

Crankcase assy



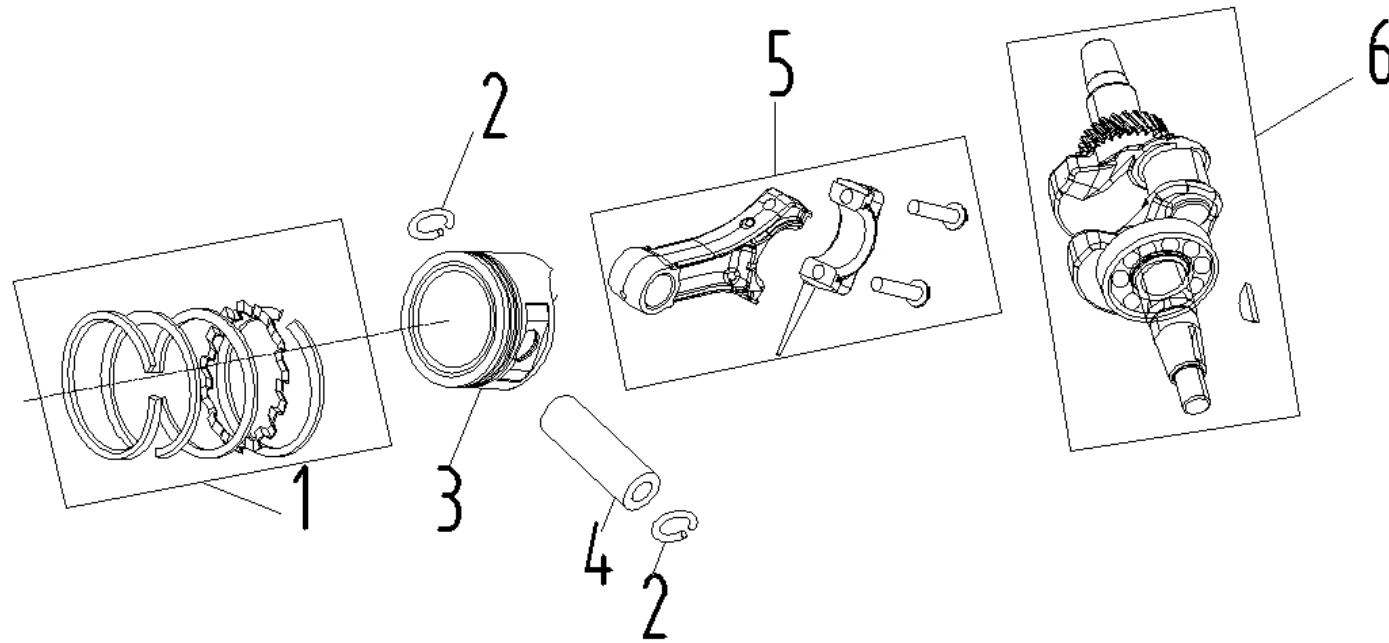
NO.	Part NO.	Description		QTY	
		English	Price (USD)	SC460	N.W. (kg) /PC
10	20009-00027-01	Charging coil		1	0.18500
11	30101-00514-01	BOLT		2	0.02367
12	30136-00080-01	WASHER		2	0.00098
13	33593-00007-00	Wire pressing board		1	0.00118
14	30101-00281-00	BOLT		3	0.00542
15	30101-00284-00	BOLT		1	0.01020
16	34007-00012-01	OIL SEAL		1	0.01550
17	34011-00070-00	CRANKCASE		1	5.10815
18	20249-00144-01	SPORT MEMBE		1	

E-03 Crankcase cover



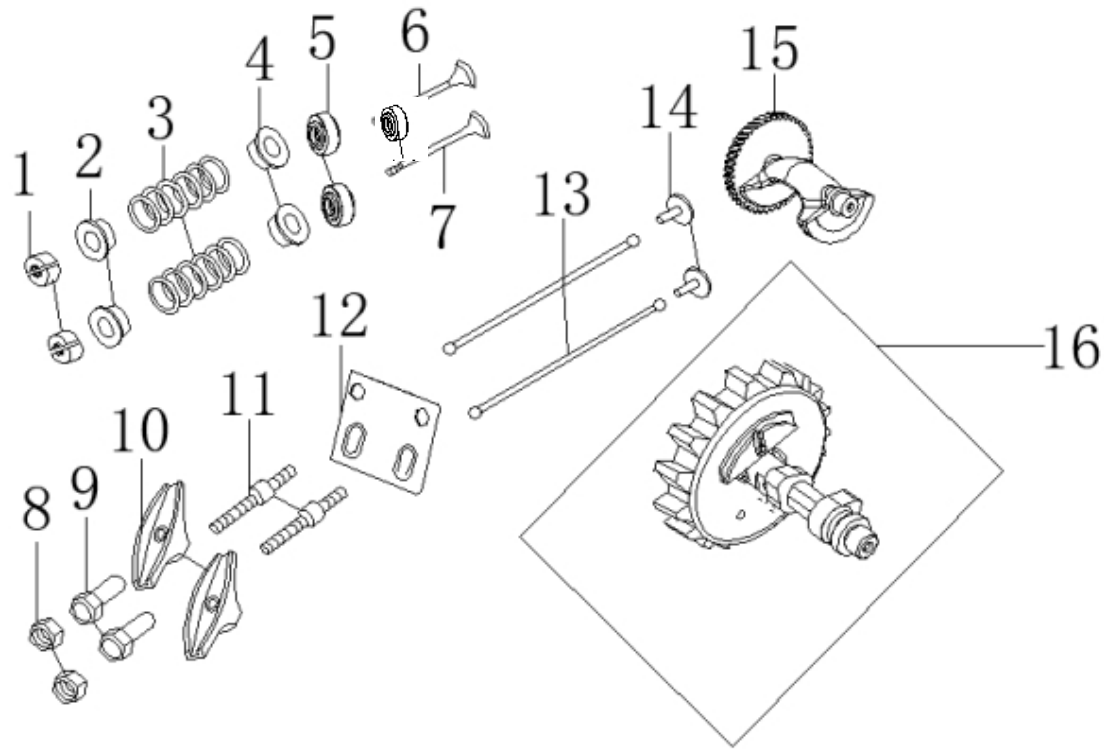
NO.	Part NO.	Description			QTY	
			English	Price (USD)	SC460	N.W. (kg) /PC
1	34007-00012-01	$\Phi 35 * \Phi 52 * 8$			1	
2	30101-00280-00	M8*40			10	
3	20026-00004-02				1	
4	33129-00020-00				1	
5	20026-00004-02				1	
6	20013-00004-01				1	
7	30141-00118-00	$\Phi 35 * \Phi 72$			1	
8	30141-00112-00	$\Phi 15 * \Phi 35$			1	
9	34006-00001-00	$\Phi 8 * \Phi 6.4 * 12 /$			2	
10	33048-00066-00				1	

E-04 Crankshaft piston



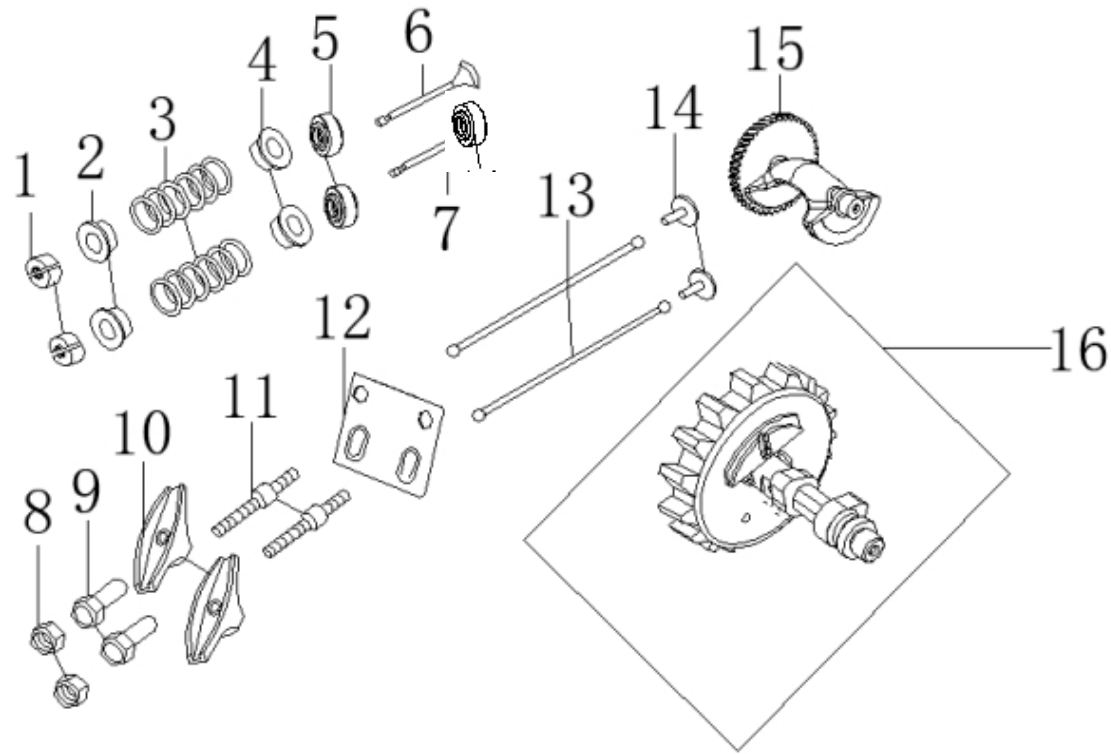
NO.	Part NO.	Description			
		English	Price (USD)	SC460	N.W. (kg) /PC
1	20084-00011-00	RING SET,PISTON		1	0.03715
2	30150-00023-00	CLIP,PISTON PIN		2	0.00040
3	34004-00018-00	PISTON		1	0.30451
4	34006-00015-00	PIN,PISTON		1	0.06652
5	20008-00009-00	CONNECTING ROD ASSY		1	0.26885
6	20011-00063-00	CRANKSHAFT ASSY		1	3.96584

E-05 Camshaft



NO.	Part NO.	Description			QTY	
		English	Price (USD)	SC460	N.W. (kg) /PC	
1	34016-00009-00			4	0.00225	
2	34016-00005-00			2	0.01540	
3	34015-00023-00			2	0.02305	
4	34016-00008-00			2	0.01511	
5	34007-00001-01	Φ10.3*Φ13.8*7.1		2	0.01563	
6	34013-00034-00			1	0.00211	
7	34013-00080-00			1	0.01147	
8	30121-00034-01			2	0.02565	

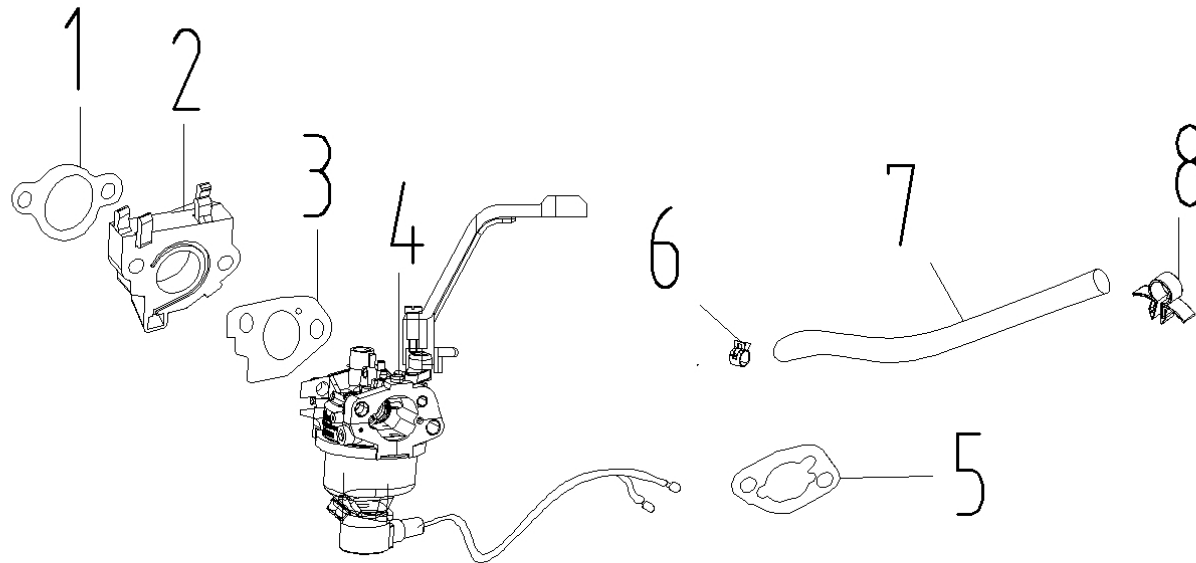
E-05 Camshaft



NO.	Part NO.	Description		QTY	
		English	Price (USD)	SC460	N.W. (kg) /PC
9	30134-00005-00			2	0.00218
10	34019-00005-01			2	0.00115
11	30110-00033-01			2	0.04732
12	34017-00008-00			1	0.05185
13	34020-00010-00			2	0.02571
14	34008-00006-00			2	0.02991
15	34033-00008-00			1	0.77520
16	20012-00015-00	BALANCE SHAFT		1	0.76891

E-06

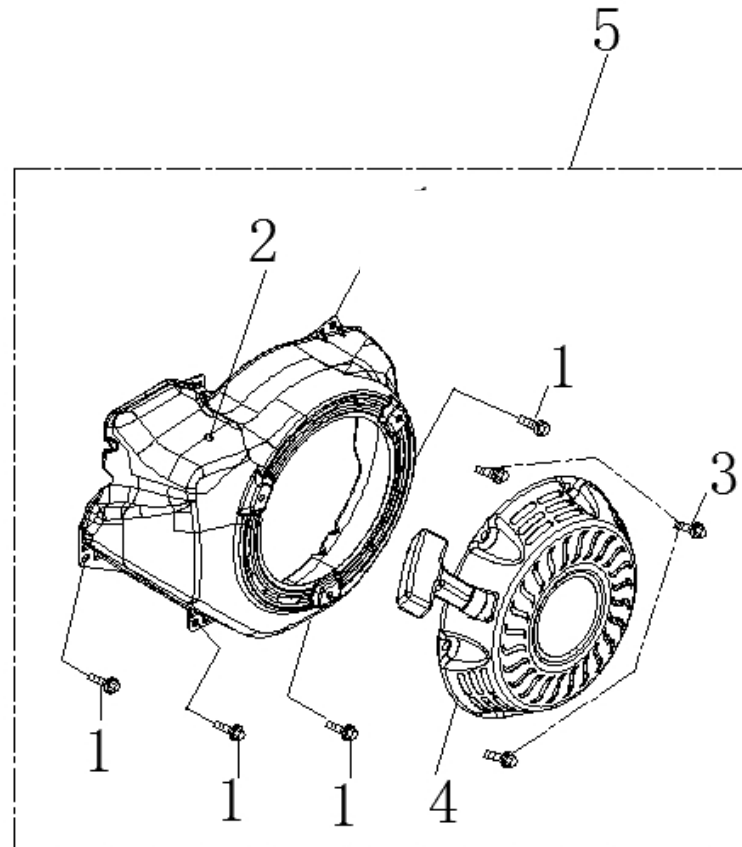
Carburetor



NO.	Part NO.	Description		QTY	
		English	Price (USD)	SC460	N.W. (kg) /PC
1	33048-00053-00	GASKET,INTAKE		1	0.00055
2	34012-00014-01	INSULATOR,CARBURETOR		1	0.04701
3	33048-00078-00	GASKET,CARBURETOR		1	0.00105
4	20024-00111-00	CARBURETOR		1	0.38663
5	33048-00047-00	GASKET,AIR CLEANER		1	0.00100
6	34024-00022-00	CLIP,FUEL PIPE		1	0.00101
7	34023-00004-01	FUEL PIPE		0.180m	0.03567
8	34024-00009-01	CLIP,FUEL PIPE		1	0.00059

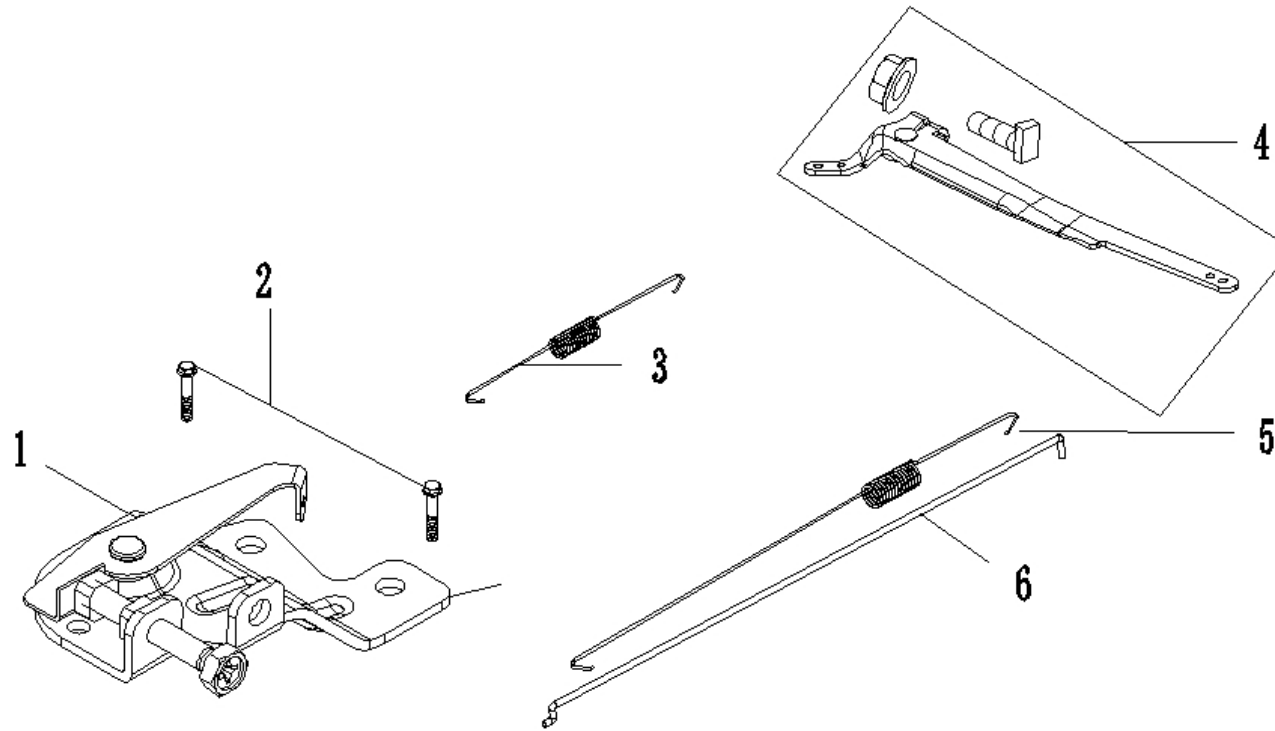
E-07

Recoil starter



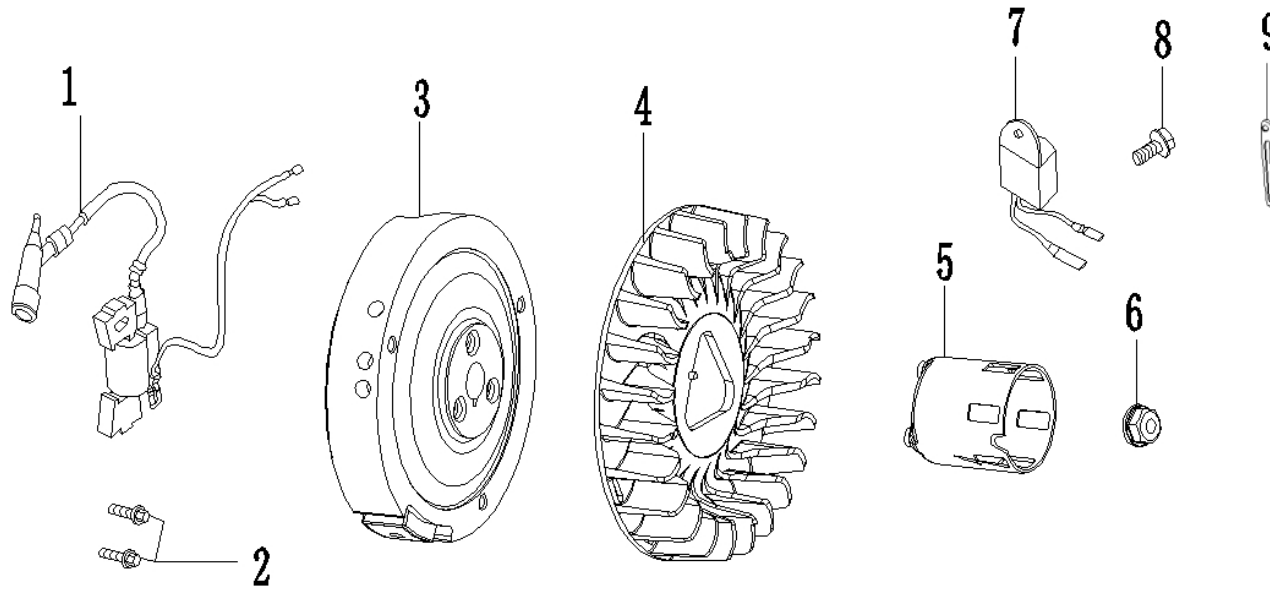
NO.	Part NO.	Description			QTY	
		English	Price (USD)	SC460	N.W. (kg) /PC	
1	30101-00281-00	M6×12	BOLT,M6×12		5	0.00542
2	70010-00388-02		WIND GUIDER,RECOIL		1	0.77698
3	30101-00337-01		BOLT,FLANGE		1	0.00715
4	20034-00030-00		RECOIL STARTER PULLER		1	0.00134
5	20010-00106-34		RECOIL STARTER COMP			

E-08 Control



NO.	Part NO.	Description			QTY	
			English	Price (USD)	SC460	N.W. (kg) /PC
1	20022-00018-01		SPEED CONTROL,ASSY		1	0.37805
2	30101-00281-00	M6×12	BOLT		2	0.00542
3	34015-00020-01		SPRING,CABLE RETURN		1	0.01054
4	34025-00007-01		HANDLE,SPEED CONTROL		1	0.05691
5	34015-00010-00		SPRING,THROTTLE RETURN		1	0.00073
6	34026-00008-01		ROD,GOVERNOR		1	0.00748

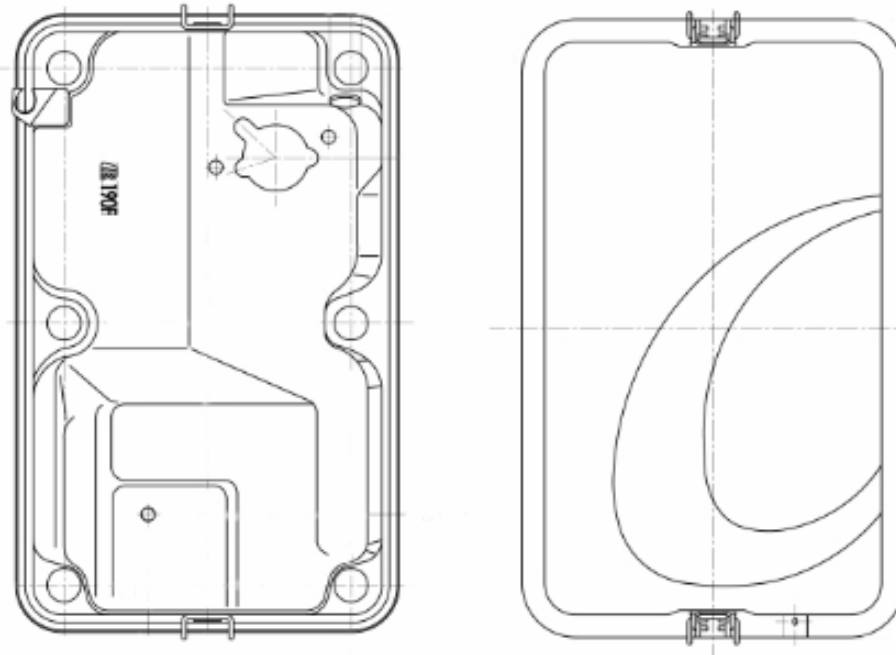
E-9 Flywheel



NO.	Part NO.	Description		QTY	
		English	Price(USD)	SC460	N.W. (kg) /PC
1	20028-00030-01	WIRE,ENGINE SWITCH		1	0.25048
2	30101-00283-00 M6×25	BOLT,FLANGE		2	0.00771
3	33099-00020-00	FLYWHEEL COMP		1	5.35521
4	33155-00042-01	FAN COOLING		1	0.18622
5	34022-00028-01	PULLEY,STARTER		1	0.19105
6	30125-00035-01 M16	NUT SPECIAL		1	0.03471
7	33246-00003-01	OIL ALARM		1	0.02951
8	30101-00281-00 M6×12	BOLT,FLANGE		1	0.00542
9	34024-00004-00	WIRE CLIP		1	0.00481

E-10

Air cleaner



NO.	Part NO.	Description		QTY	
		English	Price (USD)	SC460	N.W. (kg) /PC
	20025-00083-01	AIR CLEANER ASSY		1	1.04536



20260-03595-00

AP192FB

00