

1106006 KOINE 35 230V 50HZ

3228385_1106006_R15W - R15W (28/2/2022)



Access Platform Division

Via San Francesco d'Assisi, 8 - 46020 Pegognaga (Mantova) - ITALY Tel. +39 0376
554011 - Fax +39 0376 559855

www.imergroup.com

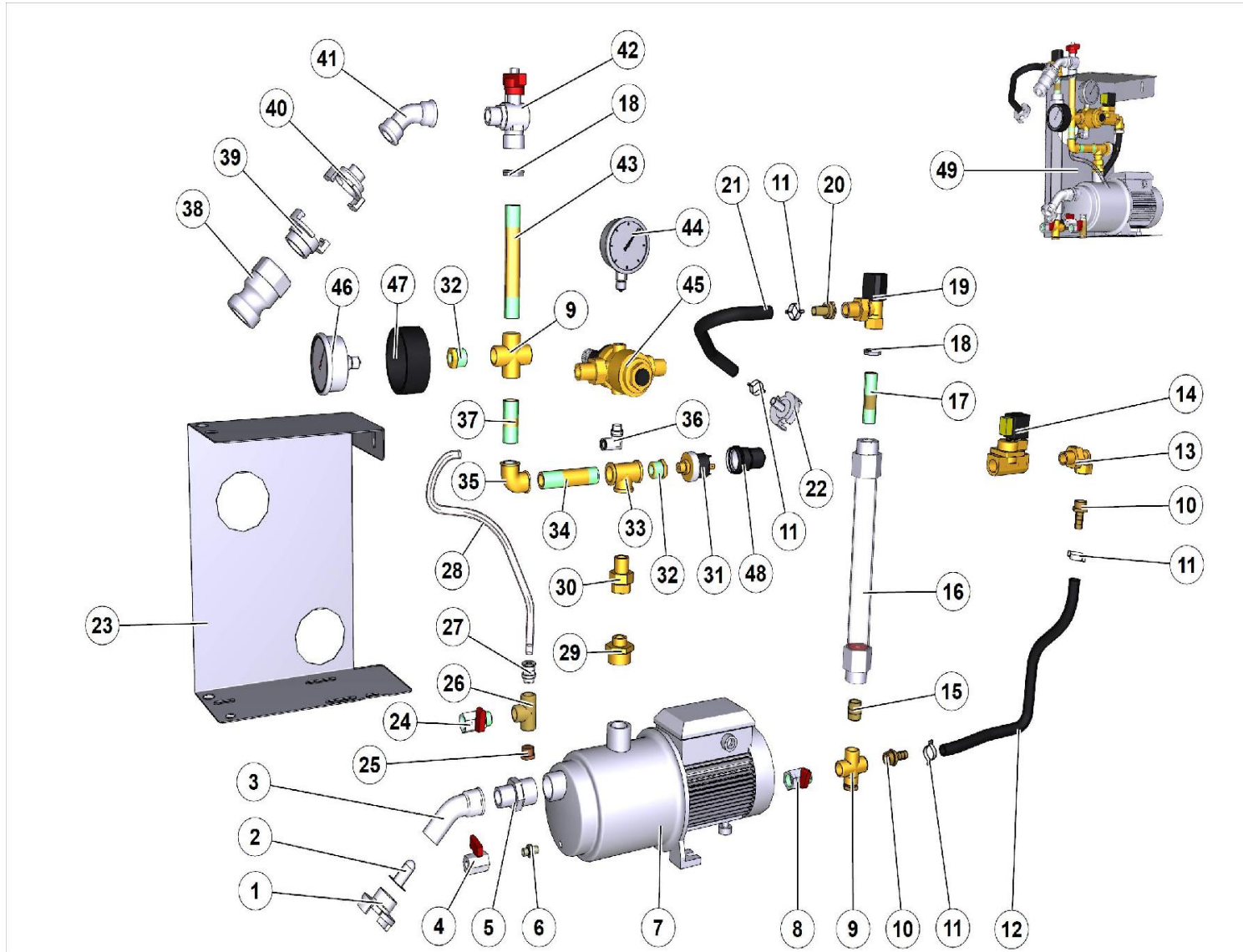
Building Equipment Division

Via della Meccanica, 39 (Zona Industriale Sentino) - 53040 Rapolano Terme
(Siena) - ITALY - Tel. +39 0577 97341 - Fax +39 0577 704077

www.imergroup.com

www.imerglobalcustomercare.com

WATER PLANT





N.	CODE	DESCRIPTION	UM	QTY
1	3223636	QUICK CONNECTOR	PZ	1
2	3223639	WATER FILTER/MORTAR PUMP	PZ	1
3	3224171	45° BEND	PZ	1
4	3223620	VALVE	PZ	1
5	3224170	NIPPLE	PZ	1
6	3224863	NIPPLES	PZ	1
7	3224207	WATER PUMP	PZ	1
8	3223622	VALVE	PZ	1
9	3223606	CONNECTOR	PZ	2
10	3223613	HOSE CLAMP/SCREW PUMP	PZ	2
11	3223638	RING CLIP	PZ	4
12	3223634	WATER HOSE	PZ	1
13	3223637	ELBOW FITTING	PZ	1
14	3228388	SOLENOID VALVE	PZ	1
15	3223607	NIPPLE	PZ	1
16	3223633	FLOW METER	PZ	1
17	3223958	BRANCH	PZ	1
18	3223730	FLANGED RINGNUT	PZ	2
19	3223627	VALVE	PZ	1
20	3224169	HOSE FITTING	PZ	1
21	3223635	WATER PIPE DIAM. 13 15BAR L 40 CM	PZ	1

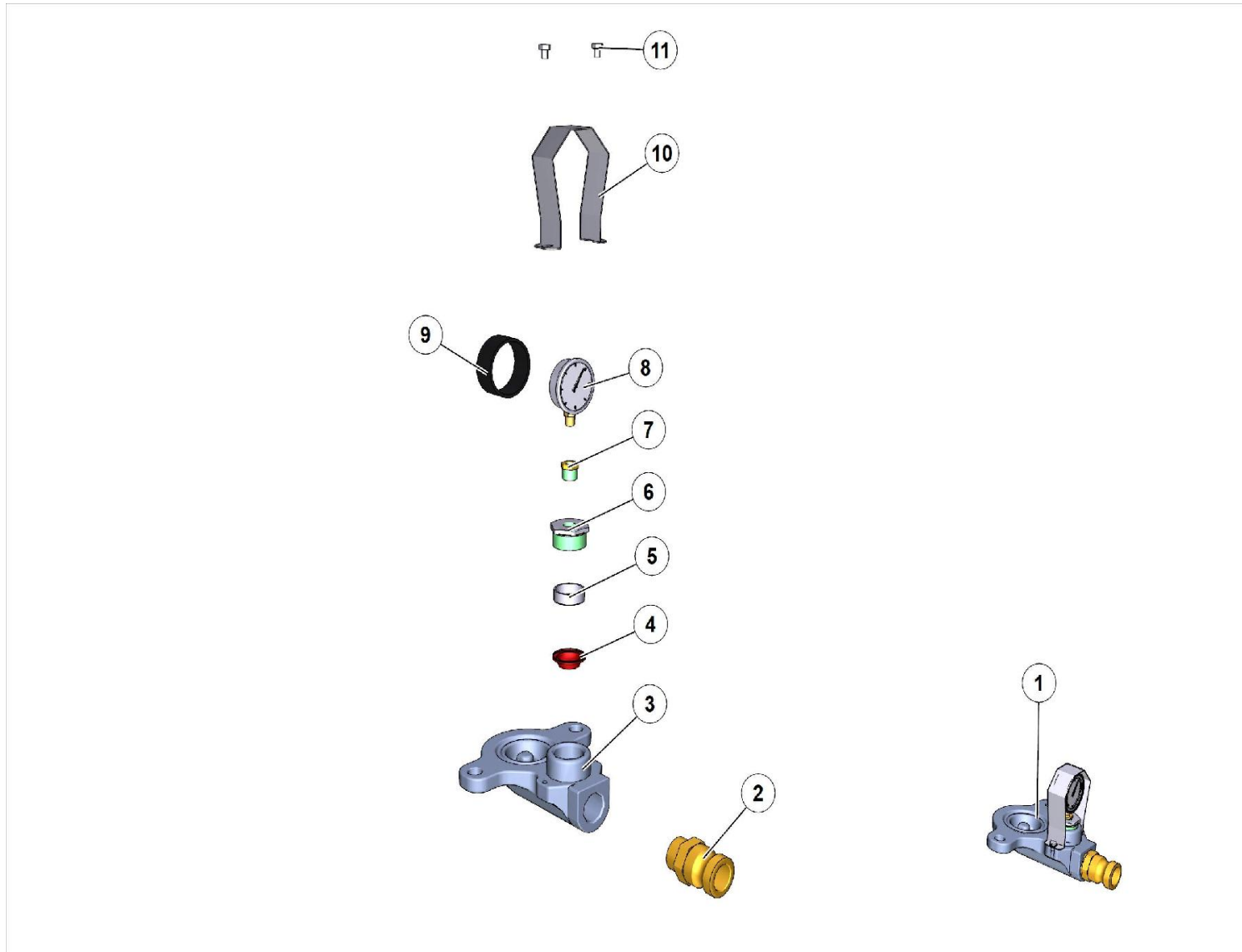


N.	CODE	DESCRIPTION	UM	QTY
22	3223615	RAPID CONNECTION/SCREW PUMP	PZ	1
23	3233601	PUMP PROTECTION		1
24	3223621	VALVE	PZ	1
25	3223612	CAP	PZ	1
26	3223616	CONNECTOR	PZ	1
27	3223623	CONNECTOR	PZ	1
28	1272701	TUBE/SCREW PUMP	M	1
29	3223619	NIPPLE	PZ	1
30	3223618	PIPE UNION/SCREW PIPE	PZ	1
31	3223630	WATER PRESSURE SWITCH	PZ	1
32	3223609	REDUCER	PZ	2
33	3223617	CONNECTOR	PZ	1
34	3223957	BRANCH	PZ	1
35	3224168	ELBOW FITTING 90°	PZ	1
36	3223624	CONNECTOR	PZ	1
37	3223632	BRANCH	PZ	1
38	3223721	FIXATION/SCREW PUMP	PZ	1
39	3223722	MALE QUICK COUPLING/MORTAR PUMP	PZ	1
40	3224203	RAPID FIXATION/SCREW PUMP	PZ	1
41	3224205	BEND	PZ	1
42	3223628	VALVE	PZ	1



N.	CODE	DESCRIPTION	UM	QTY
43	3223611	BRANCH FITTING	PZ	1
44	3223626	PRESSURE GAUGE	PZ	1
45	3223629	PRESSURE REDUCTOR	PZ	1
46	3223625	PRESSURE GAUGE/MORTAR PUMP	PZ	1
47	3224176	RUBBER COVER	PZ	1
48	3226173	RUBBER HOOD FOR PRESSURE SWITCH	PZ	1
49	3228031	WATER SYSTEM KOINE 35		1

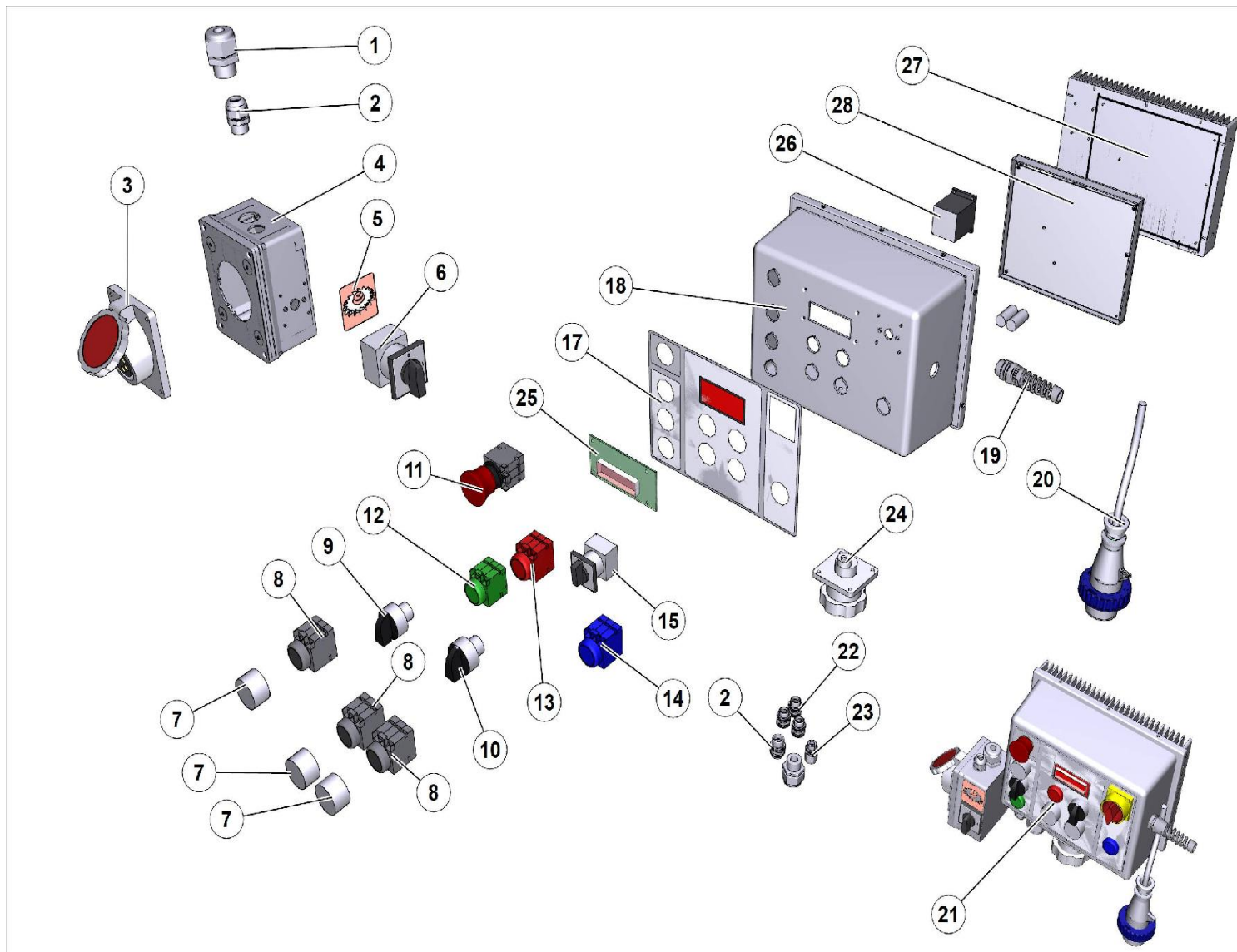
MANIFOLD





N.	CODE	DESCRIPTION	UM	QTY
1	3223416	MANIFOLD	PZ	1
2	3223703	'CAM CONNECTION DN35 M-1 "1/4" G M'	PZ	1
3	3223388	MANIFOLD	PZ	1
4	3223392	MANOMETER'S MEMBRANE/MORTAR PUMP	PZ	1
5	3223391	SPACER	PZ	1
6	3224173	REDUCTION	PZ	1
7	3223609	REDUCER	PZ	1
8	3223689	MANOMETER/SCREW PUMP	PZ	1
9	3223690	COVER	PZ	1
10	3223389	GUARD	PZ	1
11	2222015	SCREW	PZ	2

ELECTRIC PANEL



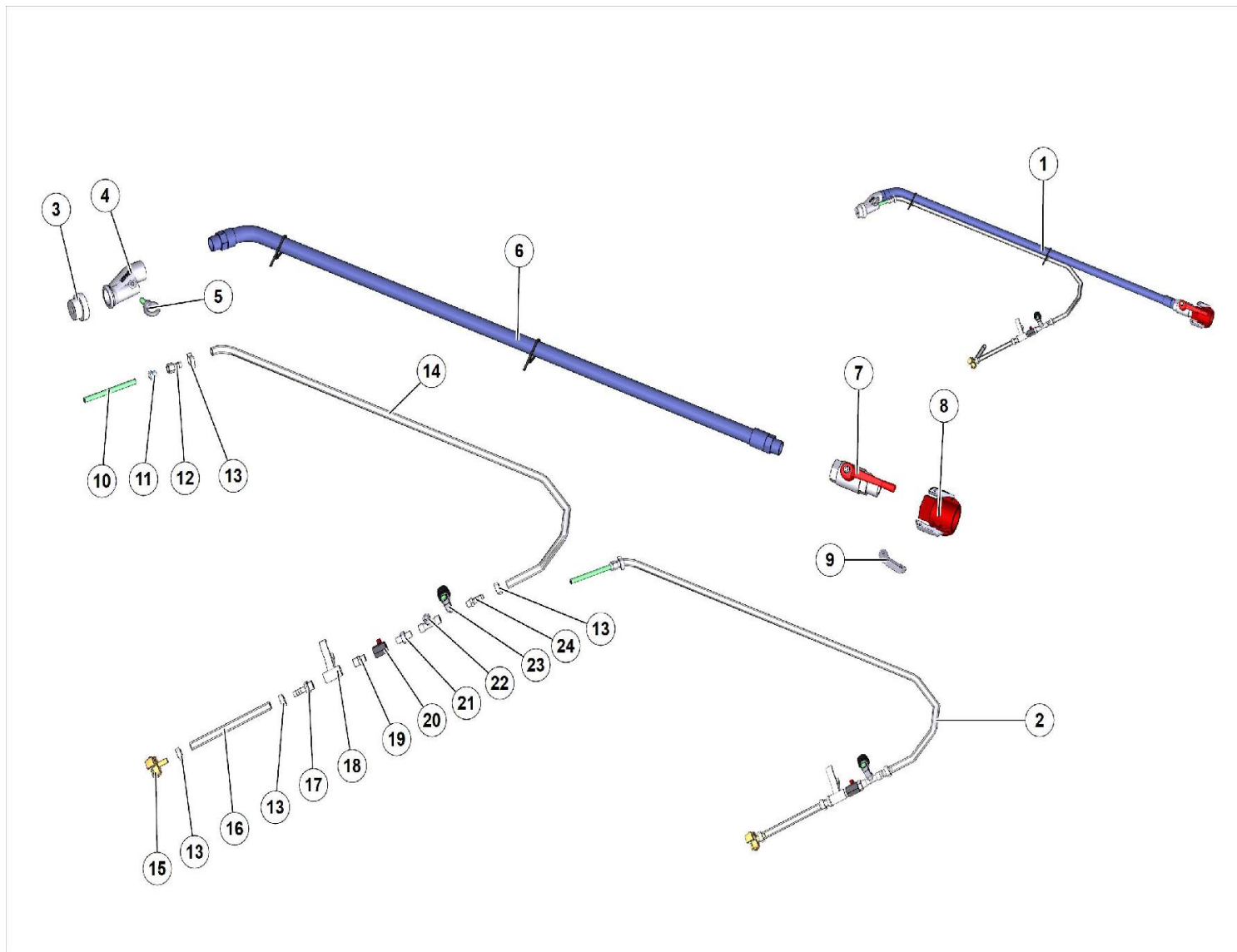


N.	CODE	DESCRIPTION	UM	QTY
1	3296311	CABLE CLAMP/CONC.MIXER	PZ	1
2	3211096	CABLE CLAMP	PZ	2
3	3226203	SOCKET	PZ	1
4	3230169	CARDBOARD BOX		1
5	3230117	STICKER		1
6	3237740	GX16 10U 16A 600V 2 POLES DISCONNECTOR	PZ	1
7	3226932	PROTECTION	PZ	3
8	3225437	PUSHBUTTON/SCREW PUMP	PZ	3
9	3230317	SWITCH 2 POSITION + CONTACTOR ELECTRIC C	PZ	1
10	3230318	SWITCH 2 LEFT RETURN POSITION +CONTACTS	PZ	1
11	3225237	EMERGENCY PUSHBUTTON	PZ	1
12	3230356	BLUE LAMP HOLDER		1
13	3230449	COMPLETE RED LAMPHOLDER + LED 24 VDC	PZ	1
14	3230448	COMPLETE BLUE LAMPHOLDER + LED 24 VDC	PZ	1
15	3230316	THERMAL CUTOUT ACTUATOR	PZ	1
17	3229079	STICKER		1
18	3230116	ELECTRIC CONTROL PANEL BOX KOINE 35	PZ	1
19	3213852	CABLE CLAMP	PZ	1
20	3203504	PIN	PZ	1
21	3229673	ELECTRIC CONTROL PANEL KOINE 35 COMPLETE	PZ	1
22	3201217	CABLE CLAMP	PZ	3



N.	CODE	DESCRIPTION	UM	QTY
23	3227508	CABLE CLAMP/SAW	PZ	1
24	3230336	COIL		1
25	3229742	INVERTER BOARD DISPLAY 1002-02	PZ	1
26	3230320	FOUR-POLE CONTACTOR 20A COIL 24VDC	PZ	1
27	3229156	INVERTER HEAT SINK 1002-01		1
28	3230074	KOINE 35 R2 INVERTER CARD	PZ	1

SPRAY GUN DN25



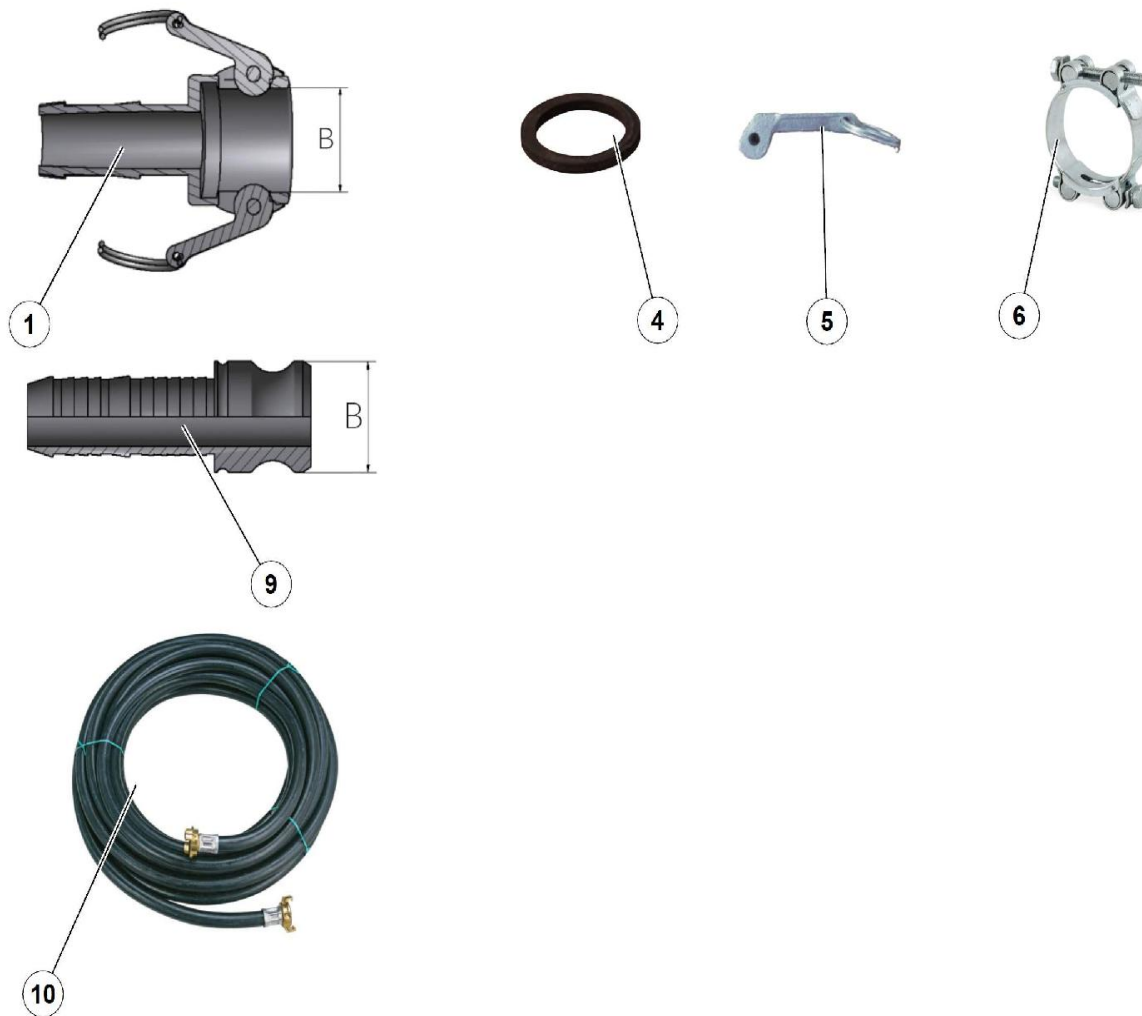


N.	CODE	DESCRIPTION	UM	QTY
1	1107549	Fire-proof spray gun		1
2	3226421	AIR HOSE		1
3	1107553	10 pces deflectors kit d. 14		1
4	3223345	SPRAYJET HEAD/SCREW PUMP	PZ	1
5	3209356	EYE-BOLT/MORTAR PUMP	PZ	1
6	3229626	EXTENSION PVC PN16 D.32 ASSEMBLED WITH	PZ	1
7	3225833	VALVE/MORTAR PUMP	PZ	1
8	3224701	CAM COUPLING/SCREW PUMP	PZ	1
9	3224498	HANDLE/MORTAR PUMP	PZ	2
10	3223350	AIR PIPE L = 130	PZ	1
11	3227954	REDUCER	PZ	1
12	3228674	RUBBER HOLDER	PZ	1
13	3224823	RING CLAMPS	PZ	4
14	2292365	LINE/SAW	M	1
15	3224818	QUICK COUPLING WITH RUBBER HOSE D.10	PZ	1
16	2292365	LINE/SAW	M	1
17	3228354	'HOSE HOLDER M.3 / 8 "X12 BRASS'	PZ	1
18	3223344	'RING FITTING WITH THREAD 3/8 "F.'	PZ	1
19	3228353	NIPPLES	PZ	1
20	3227953	VALVE/SCREW PUMP	PZ	1
21	3225186	NIPPLES		1



N.	CODE	DESCRIPTION	UM	QTY
22	3224968	COUPLING	PZ	1
23	3224496	VALVE/SCREW PUMP	PZ	1
24	3227955	'HOSE HOLDER M.1 / 4 "X12 BRASS'	PZ	1

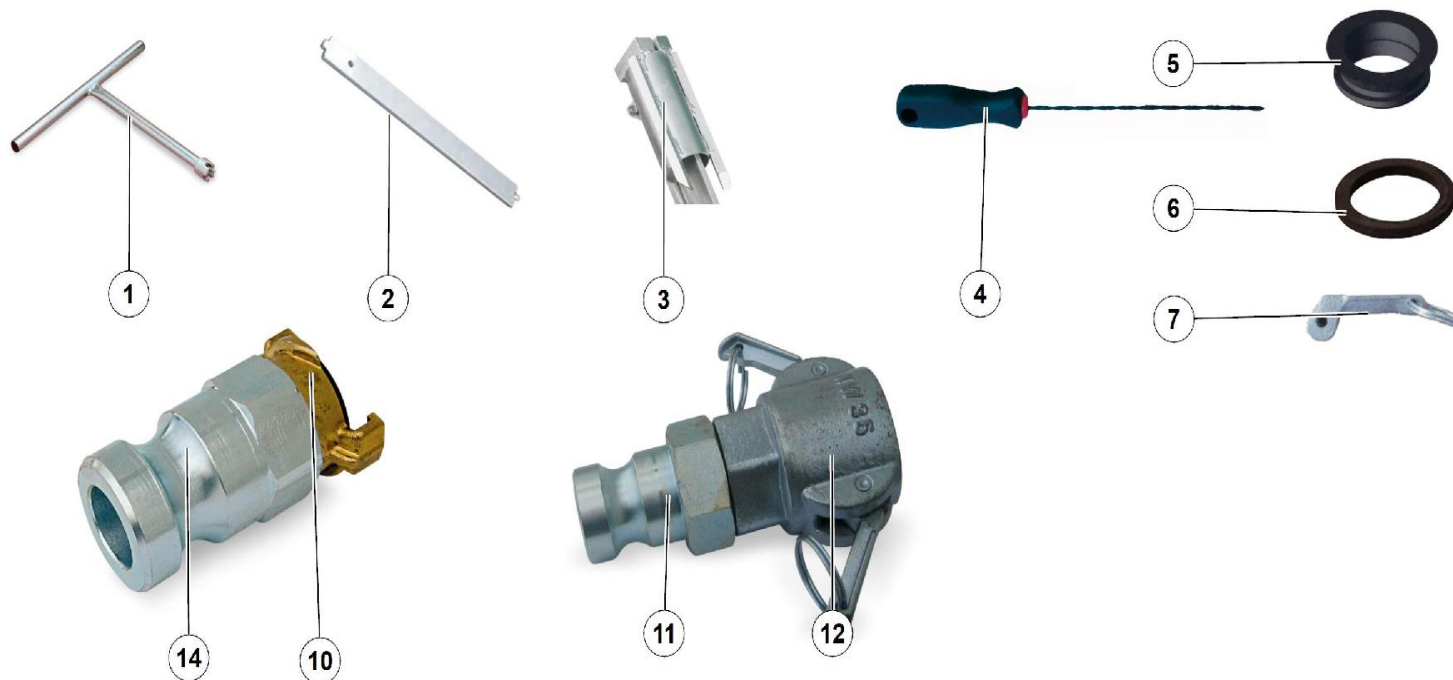
HOSES AND COUPLINGS





N.	CODE	DESCRIPTION	UM	QTY
1	3225934	CAMLOCK COUPLING DN 27 F	PZ	1
4	3224830	GASKET/MORTAR PUMP	PZ	1
5	3224498	HANDLE/MORTAR PUMP	PZ	1
6	3225943	HOSE CLAMP/SCREW PUMP	PZ	1
9	3225933	CAMLOCK COUPLING	PZ	1
10	3224546	WATER HOSE	PZ	1

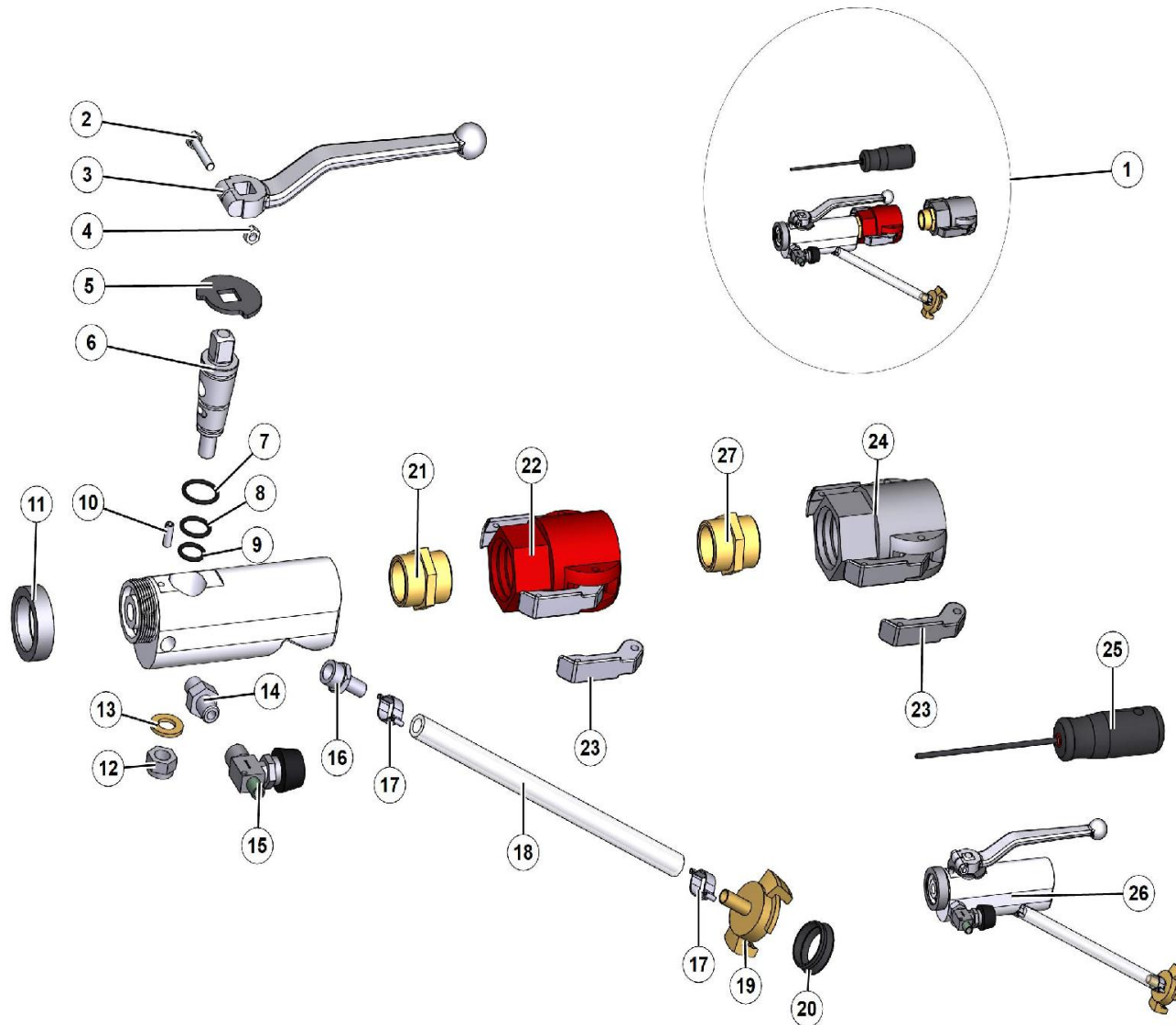
ACCESSORIES





N.	CODE	DESCRIPTION	UM	QTY
1	3223354	WRENCH	PZ	1
2	3223347	VERTICAL SECTION	PZ	1
3	3223349	SCRAPER	PZ	1
4	3223694	NOZZLE CLEANER/SCREW PUMP	PZ	1
5	3223697	GASKET/MORTAR PUMP	PZ	1
6	3224831	GASKET/MORTAR PUMP	PZ	1
7	3224498	HANDLE/MORTAR PUMP	PZ	1
10	3223722	MALE QUICK COUPLING/MORTAR PUMP	PZ	1
11	3223390	CAMLOCK COUPLING	PZ	1
12	3223704	CAMLOCK COUPLING DN35	PZ	1
14	3223721	FIXATION/SCREW PUMP	PZ	1

SPRAY GUN FINISHING COAT



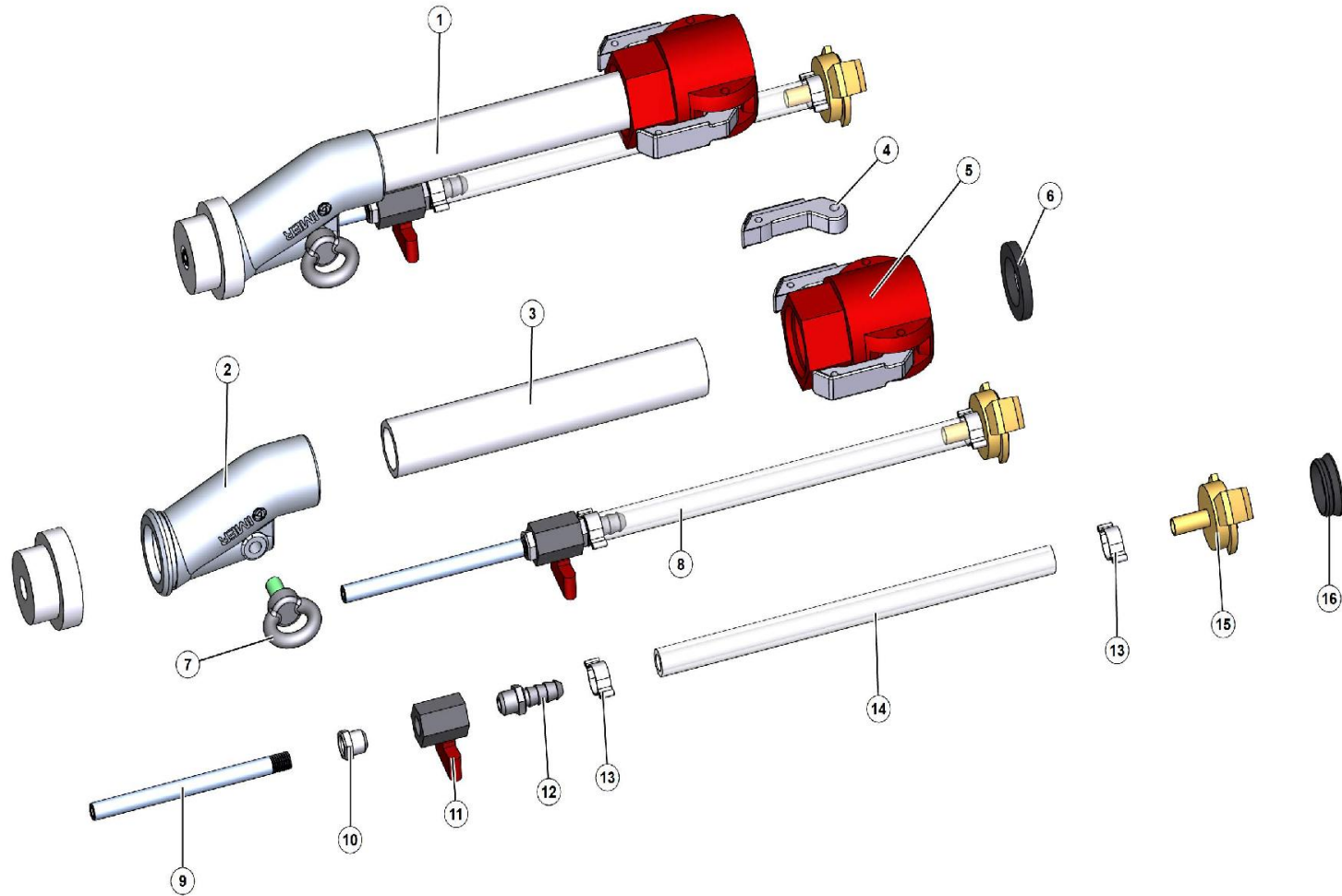


N.	CODE	DESCRIPTION	UM	QTY
1	1107011	Spray gun Small 50		1
2	2222022	SCREW	PZ	1
3	3223918	HANDLE	PZ	1
4	2223280	NUT	PZ	1
5	3224280	WASHER		1
6	3224281	CONE		1
7	3239003	STOP RING		1
8	2227067	STOP RING	PZ	1
9	3239002	STOP RING		1
10	3207673	GRUB SCREW	PZ	1
11	3224277	RING/SCREW PUMP	PZ	1
12	2223921	NUT	PZ	1
13	2224380	WASHER/SAW	PZ	1
14	3225186	NIPPLES		1
15	3224496	VALVE/SCREW PUMP	PZ	1
16	3224817	'HOSE HOLDER M. 3/8 "X10 BRASS'		1
17	3224823	RING CLAMPS	PZ	2
18	2292365	LINE/SAW	M	1
19	3224818	QUICK COUPLING WITH RUBBER HOSE D.10	PZ	1
20	3223697	GASKET/MORTAR PUMP	PZ	1
21	3224956	NIPPLES/SCREW PUMP	PZ	1



N.	CODE	DESCRIPTION	UM	QTY
22	3224701	CAM COUPLING/SCREW PUMP	PZ	1
23	3224498	HANDLE/MORTAR PUMP	PZ	2
24	3224706	CAM COUPLING/SCREW PUMP	PZ	1
25	3223694	NOZZLE CLEANER/SCREW PUMP	PZ	1
26	3224301	SPRAY JET	PZ	1
27	3224707	REDUCTION NIPPLES/SCREW PUMP	PZ	1

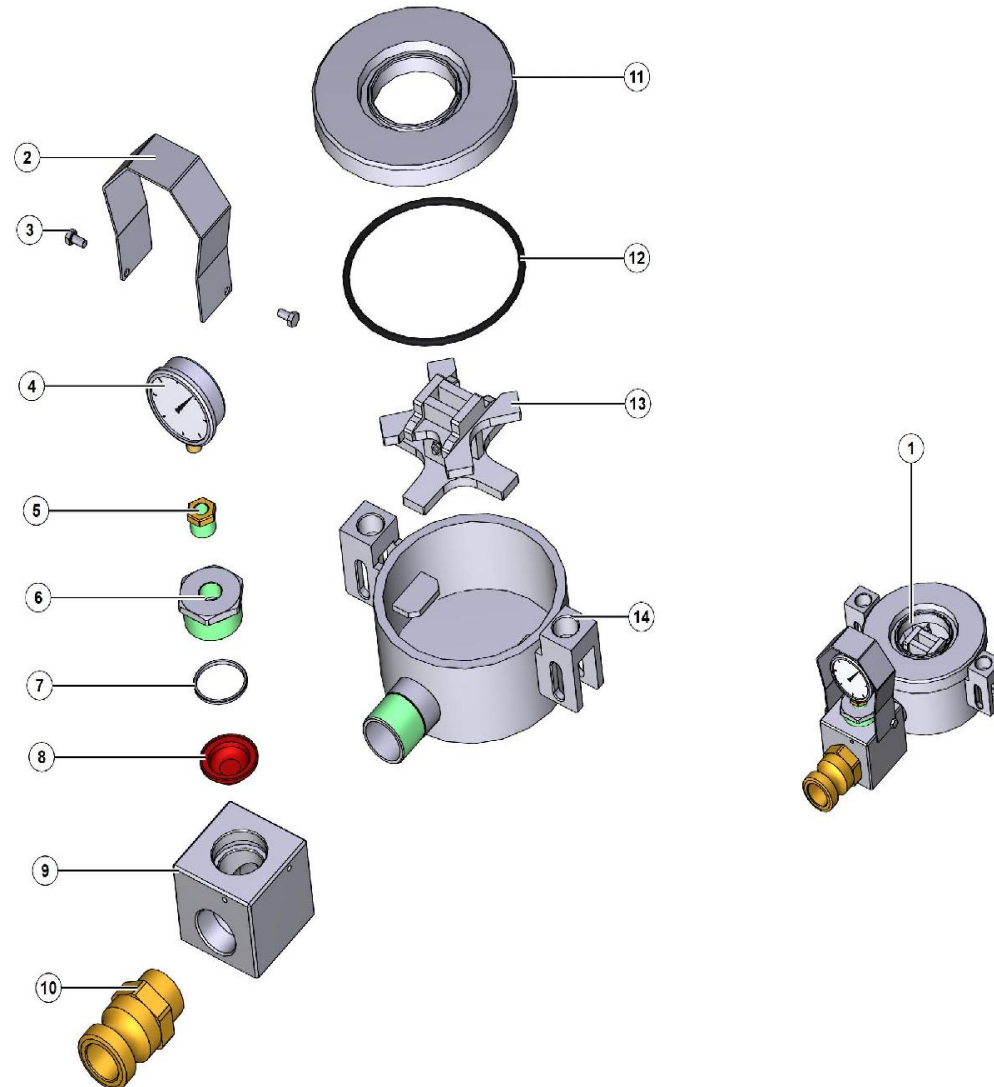
SPRAY GUN DN 25





N.	CODE	DESCRIPTION	UM	QTY
1	1107540	Spray gun Koine		1
2	3223345	SPRAYJET HEAD/SCREW PUMP	PZ	1
3	3223348	TUBE	PZ	1
4	3224498	HANDLE/MORTAR PUMP	PZ	1
5	3224701	CAM COUPLING/SCREW PUMP	PZ	1
6	3224830	GASKET/MORTAR PUMP	PZ	1
7	3209356	EYE-BOLT/MORTAR PUMP	PZ	1
8	3225598	AIR HOSE/SCREW PUMP	PZ	1
9	3223350	AIR PIPE L = 130	PZ	1
10	3227954	REDUCER	PZ	1
11	3227953	VALVE/SCREW PUMP	PZ	1
12	3227955	'HOSE HOLDER M.1 / 4 "X12 BRASS'	PZ	1
13	3224823	RING CLAMPS	PZ	2
14	2292365	LINE/SAW	M	1
15	3224818	QUICK COUPLING WITH RUBBER HOSE D.10	PZ	1
16	3223697	GASKET/MORTAR PUMP	PZ	1

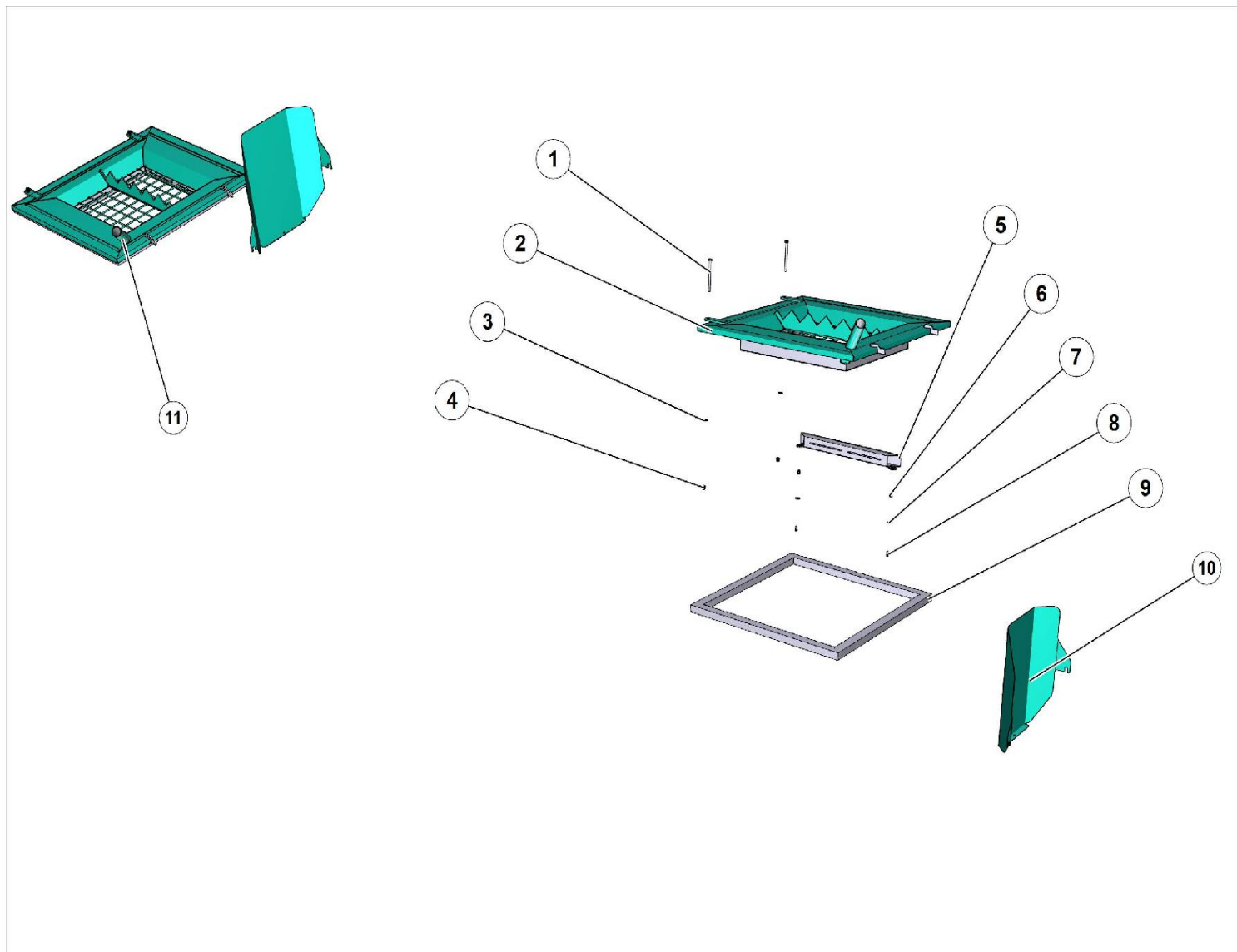
TURBO MIXER FOR STATOR "D"





N.	CODE	DESCRIPTION	UM	QTY
1	1107517	KOINE 4/5 TURBO MIXER 'D' SERIES		1
2	3236056	KOINE PRESSURE GAUGE COVER	PZ	1
3	1222004	1222004 BOLT		2
4	3223689	MANOMETER/SCREW PUMP	PZ	1
5	3223609	REDUCER	PZ	1
6	3224173	REDUCTION	PZ	1
7	3225902	SPACER/SCREW PUMP	PZ	1
8	3223392	MANOMETER'S MEMBRANE/MORTAR PUMP	PZ	1
9	3236057	KOINE 4 BODY PRESSURE GAUGE GALVANIZED	PZ	1
10	3223703	'CAM CONNECTION DN35 M-1 "1/4" G M'	PZ	1
11	3224158	ZINC TURBOMIXER BASIC CAP	PZ	1
12	3224329	RING OR 8-215 D.139.7X5.34	PZ	1
13	3237380	KOINE 4 TURBOMIXER MOUNTED	PZ	1
14	3223794	KOINE TURBOMIXER BASE	PZ	1

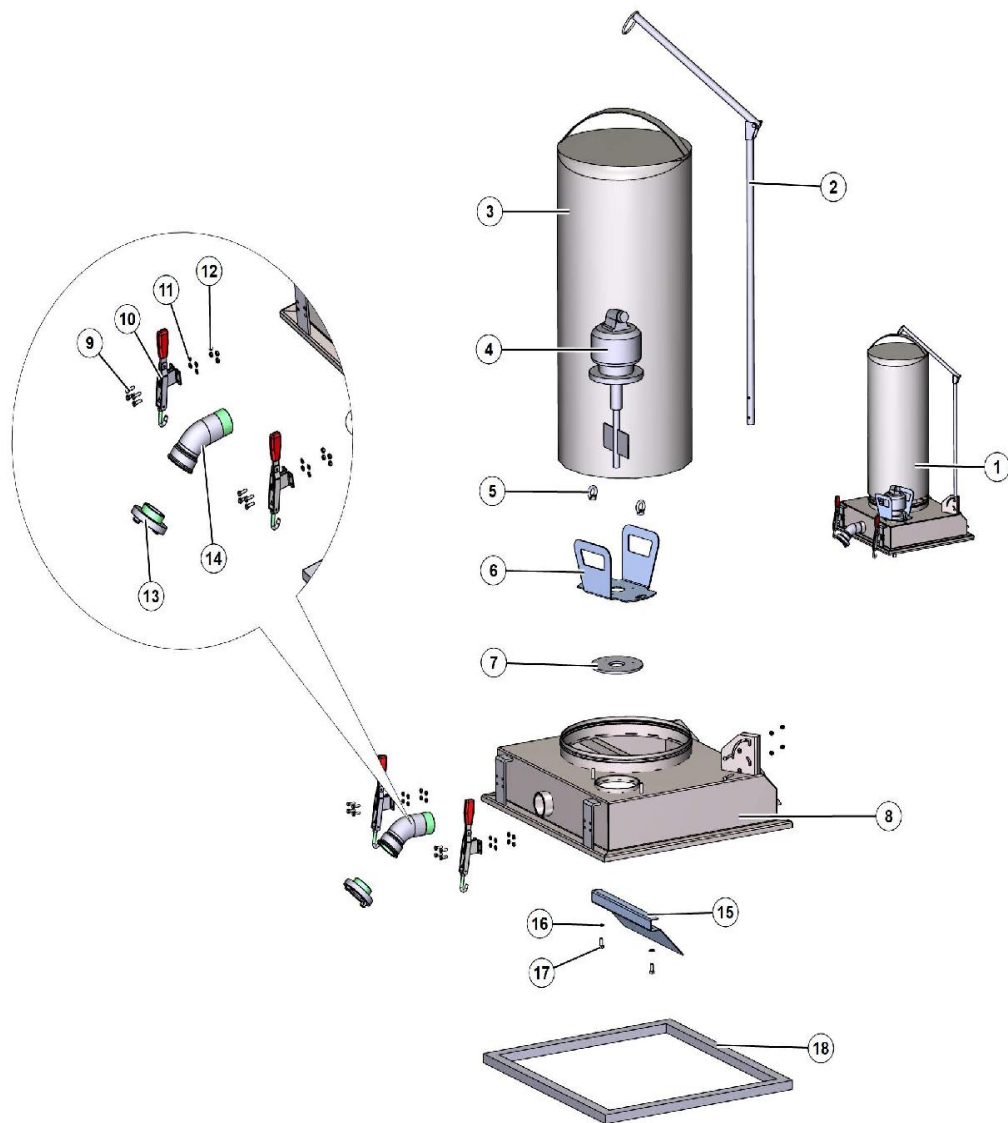
DUST CONTROL KOINE 4/35





N.	CODE	DESCRIPTION	UM	QTY
1	3227517	SCREW TE 8.8 5739 M8X100 Z	PZ	2
2	3236085	BLOWER HOOD		1
3	2224140	ROLLER 6593	PZ	2
4	3231186	INSERT	PZ	2
5	3236240	TUBE		1
6	3206163	THREADED INSERT M6		2
7	2224531	WASHER	PZ	2
8	3292381	3292381 BOLT		2
9	3228143	GASKET	M	1
10	3236112	PAINTED KOINE4 MOTOR COVER SHEET METAL	PZ	1
11	1107491	DUST FREE GRID FOR KOINE 4/35		1

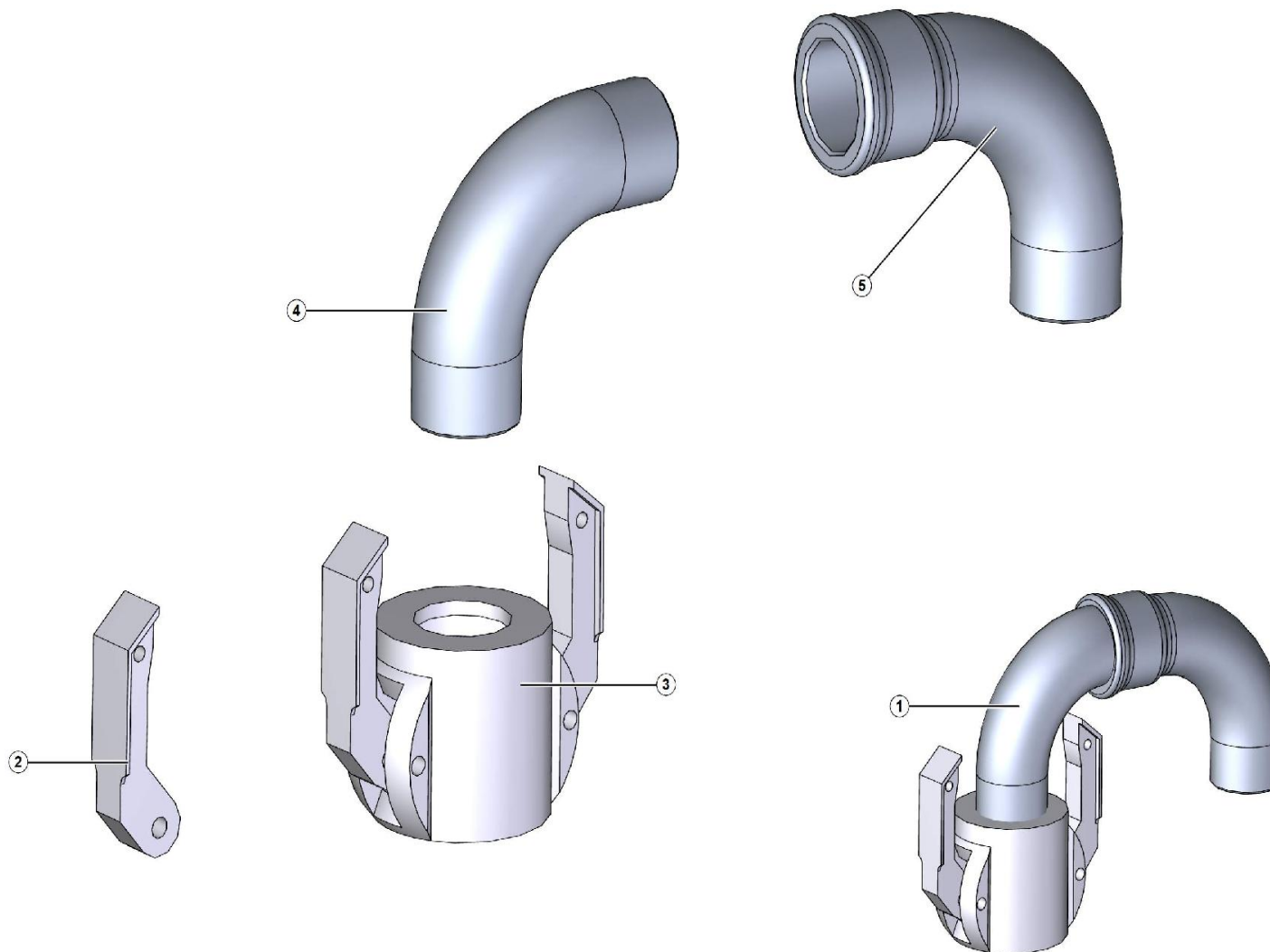
BLOWER HOOD FOR KOINE 4/35





N.	CODE	DESCRIPTION	UM	QTY
1	1107500			1
2	3228220	BAR		1
3	3226562	FILTER	PZ	1
4	3224555	PROBE PFG86 / 42TI	PZ	1
5	3207209	EYEBOLT	PZ	2
6	3228141	SUPPORT		1
7	3228144	GASKET		1
8	3228331	FRAME		1
9	2222016	SCREW	PZ	8
10	3228145	CLAMP	PZ	2
11	2224530	ROLLER/MN	PZ	8
12	2223280	NUT	PZ	8
13	3224387	COUPLING	PZ	1
14	3228148	'WIDE RANGE CURVE 45° 2"M.F.'		1
15	3228140	CONVEYOR		1
16	2224140	ROLLER 6593	PZ	2
17	2222060	SCREW	PZ	2
18	3228143	GASKET	M	1

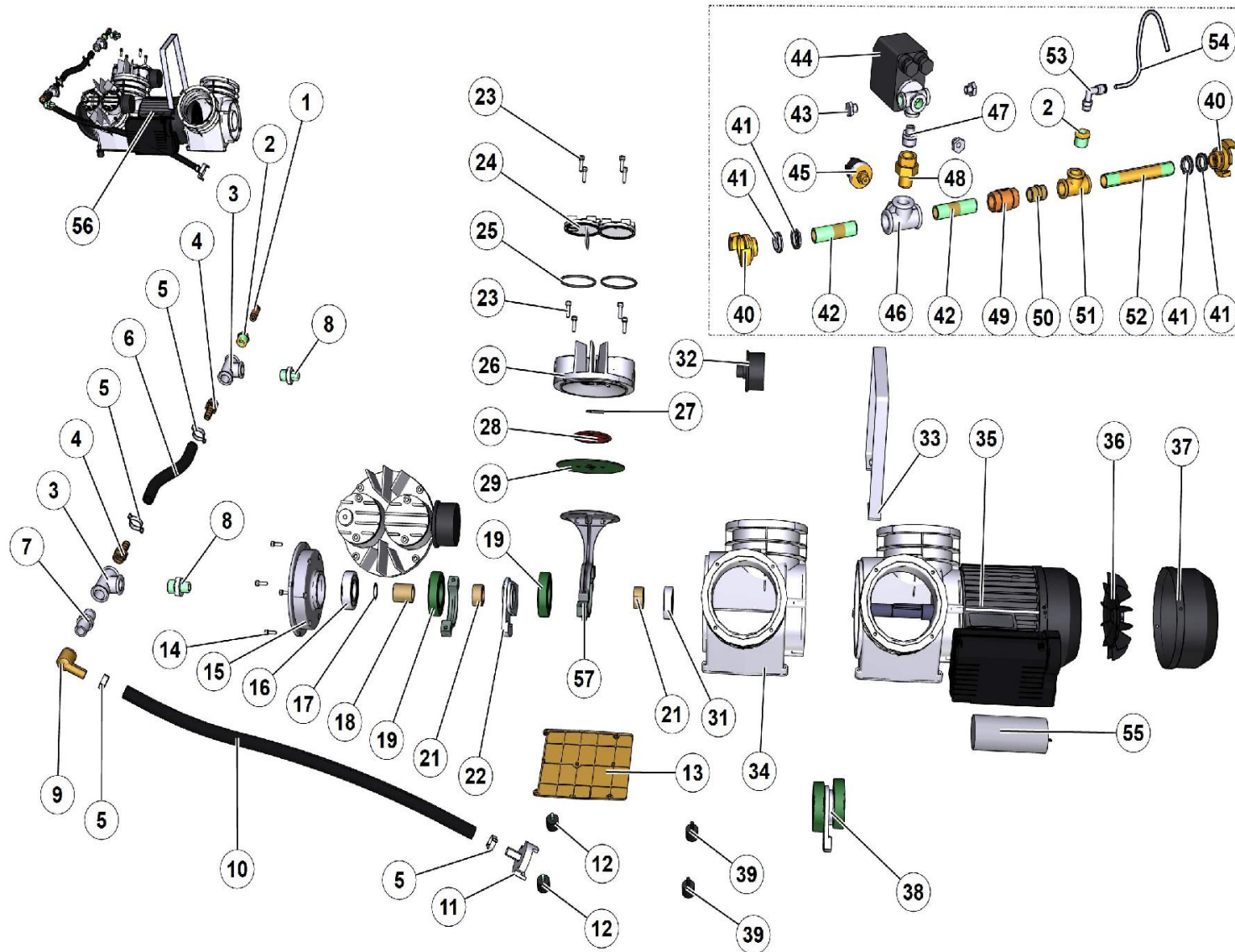
U-SHAPED STEEL PIPE DN25





N.	CODE	DESCRIPTION	UM	QTY
1	1107570	Nozzle IM 35		1
2	3224498	HANDLE/MORTAR PUMP	PZ	1
3	3224709	CAM COUPLING/SCREW PUMP	PZ	1
4	3226426	'WIDE RANGE CURVE 90° 1" M.M.'		1
5	3226424	'WIDE RANGE CURVE 90° 1" M.F.'		1

AIR COMPRESSOR





N.	CODE	DESCRIPTION	UM	QTY
1	3224593	SECURITY VALVE/SCREW PUMP	PZ	1
2	3223609	REDUCER	PZ	2
3	3224350	CONNECTOR	PZ	2
4	3223613	HOSE CLAMP/SCREW PUMP	PZ	2
5	3227824	BAND RING		4
6	3224608	HOSE	M	1
7	3224362	NIPPLE	PZ	1
8	3224928	REDUCED NIPPLE	PZ	2
9	3224580	HOSE CONNECTOR	PZ	1
10	3224608	HOSE	M	1
11	3223615	RAPID CONNECTION/SCREW PUMP	PZ	1
12	3227825	SCHOCK ABORBER	PZ	2
13	3224537	COMPRESSOR PLATE	PZ	1
14	3224872	SCREW TCEI 5931 5X 16 A2 INOX	PZ	1
15	3224536	COVER	PZ	1
16	3224763	BEARING 6305 2RS1	PZ	1
17	3227154	RING	PZ	1
18	3224332	SPACER	PZ	1
19	2204571	Bearing	PZ	2
21	3226967	BUSH	PZ	2
22	3226966	ECCENTRIC BARBELL	PZ	1

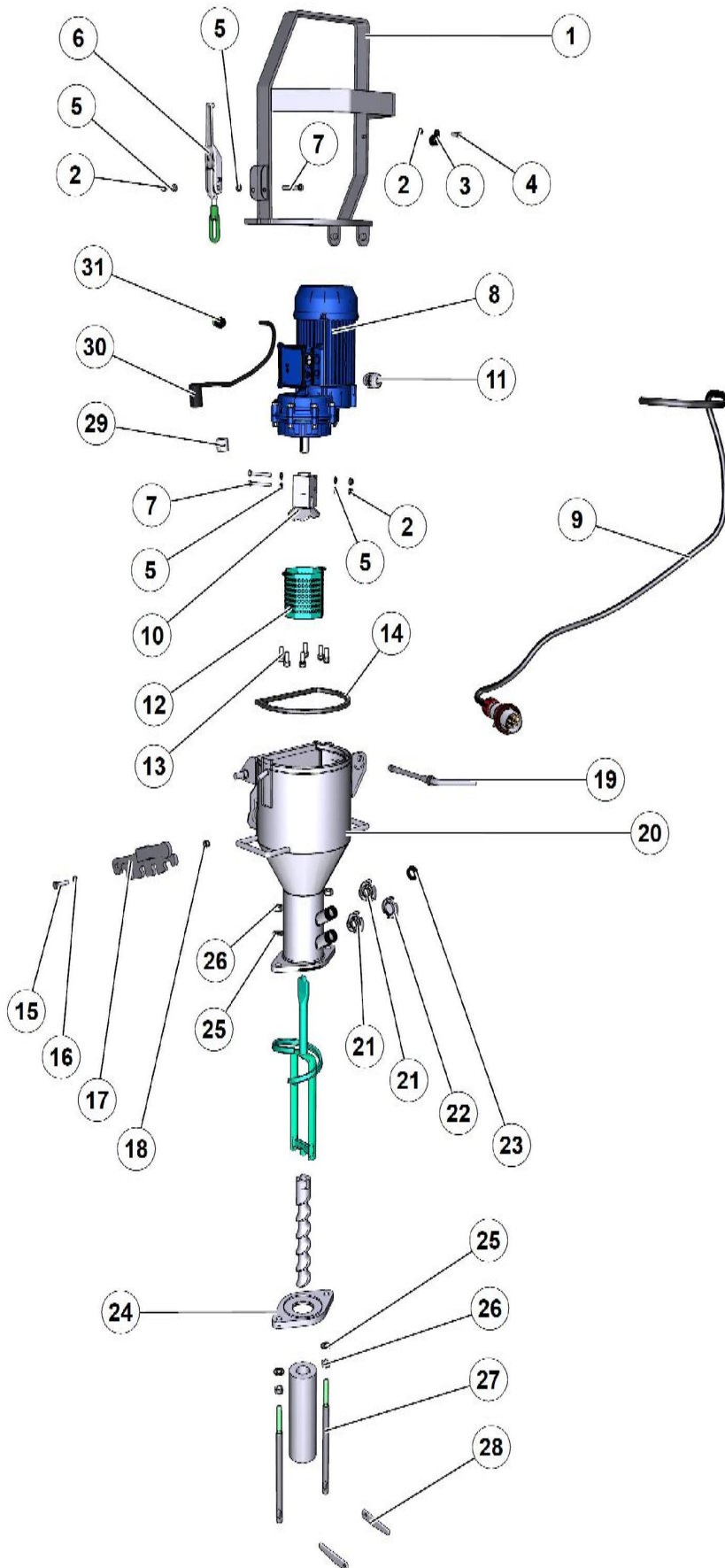


N.	CODE	DESCRIPTION	UM	QTY
23	3225074	SCREW	PZ	2
24	3224534	LH CAP	PZ	1
25	3228399	O-RING 165 D61.92X3.53	PZ	1
26	3224532	HEAD	PZ	1
27	3224548	COMPRESSOR'S PLATE	PZ	1
28	3237099	IMER 250 COMPRESSOR MEMBRANE STOP	PZ	1
29	3224539	COMPRESSOR MEMBRANE/SCREW PUMP	PZ	1
31	2204531	BEARING 6304 2RS	PZ	1
32	3224844	AIR-FILTER/SCREW PUMP	PZ	2
33	3224876	HANDLE		1
34	3224538	COMPRESSOR HOUSING	PZ	1
35	3228021	CARDBOARD BOX	PZ	1
36	2291453	FAN	PZ	1
37	3226533	FAN COVER/SCREW PUMP	PZ	1
38	3224300	CAM/SCREW PUMP	PZ	1
39	3224868	SHOCK ABSORBER/SCREW PUMP		2
40	3224382	QUICK COUPLING	PZ	2
41	3223730	FLANGED RINGNUT	PZ	4
42	3223958	BRANCH	PZ	2
43	3224967	CAP	PZ	1
44	3225843	PRESSURE GAUGE	PZ	1



N.	CODE	DESCRIPTION	UM	QTY
45	3223630	WATER PRESSURE SWITCH	PZ	1
46	3227964	DISTRIBUTOR	PZ	1
47	3224607	REDUCED NIPPLE	PZ	1
48	3223618	PIPE UNION/SCREW PIPE	PZ	1
49	3224360	VALVE/SCREW PUMP	PZ	1
50	3223607	NIPPLE	PZ	1
51	3223617	CONNECTOR	PZ	1
52	3223611	BRANCH FITTING	PZ	1
53	3223884	'AIR COLLECTION 90 ° INN.RAP.1 / 4 "NPT	PZ	1
54	3226816	RILSAN TUBE	M	1
55	3226183	CAPACITOR/MORTAR PUMP	PZ	1
56	3225842	COMPRESSOR IM250 230V-50HZ KW0.75 K.3	PZ	1
57	3231647	ASSEMBLY PISTON ROD COMPRESSOR IMER 250	PZ	2

MIXING CHAMBER



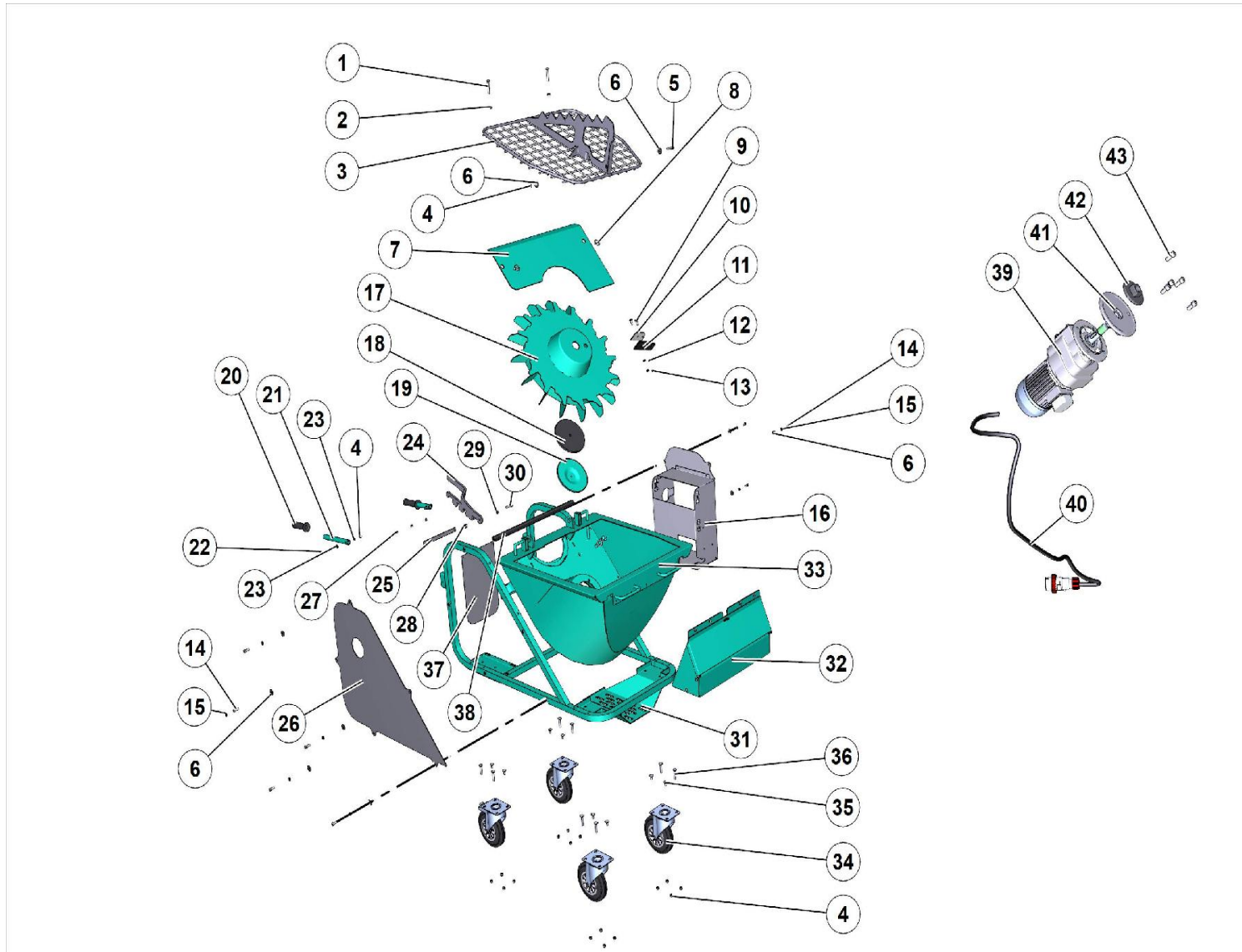


N.	CODE	DESCRIPTION	UM	QTY
1	3228424	PLATE	PZ	1
2	2223923	LOCK NUT	PZ	4
3	3205491	BAND D1-B20-V9-FOR8,4D.I20	PZ	1
4	2222076	SCREW/SAW	PZ	1
5	2224140	ROLLER 6593	PZ	6
6	3223717	CLOSING HANDLE	PZ	1
7	2222072	SCREW	PZ	3
8	3229688	GEARMOTOR KOINE35 COMPLETE R2		1
9	3228574	ENGINE POWER CABLE KOINE 4/5/35	PZ	1
10	3223352	TERMINAL	PZ	1
11	3296311	CABLE CLAMP/CONC.MIXER	PZ	1
12	3233625	PROTECTION		1
13	3200389	SCREW TCEI 5931 12X 25 Z	PZ	5
14	3223995	SEAL	M	1
15	2222073	SCREW/MN	PZ	1
16	2224340	ROLLER/MORTAR PUMP	PZ	1
17	3229325	LOCKING HANDLE	PZ	1
18	2223920	SELF-LOCKING NUT	PZ	1
19	3223374	CHAMBER PIN	PZ	1
20	3237554	VARNISHED KOINE 35/4 MIXING HOPPER	PZ	1
21	3223428	QUICK CONNECTOR	PZ	2



N.	CODE	DESCRIPTION	UM	QTY
22	3223429	CAP	PZ	1
23	3223697	GASKET/MORTAR PUMP	PZ	1
24	3237557	PAINTED D SERIES STATOR FLANGE	PZ	1
25	2224640	WASHER	PZ	4
26	2223806	NUT	PZ	4
27	3223720	TIE-ROD	PZ	2
28	3224955	EXTRACTOR/SCREW PUMP	PZ	2
29	3224243	BUSHING	PZ	2
30	3226120	SENSOR	PZ	1
31	3210113	CABLE CLAMP/SAW	PZ	1

MACHINE STRUCTURE





N.	CODE	DESCRIPTION	UM	QTY
1	1222050	SCREW	PZ	2
2	2223570	NUT	PZ	2
3	3223724	KOINE 4 GRID PAINTED	PZ	19
4	2223923	LOCK NUT	PZ	3
5	2222018	SCREW	PZ	1
6	2224204	ROLLER/SAW	PZ	9
7	3229264	KOINE 4-5 DUST COVER PLATE	PZ	1
8	3224628	SPLIT PIN	PZ	2
9	3225176	SCREW TTCQ 5732-65 M6X25 Z		2
10	3223399	PLATE	PZ	1
11	3223397	SCRAPER	PZ	1
12	2224530	ROLLER/MN	PZ	2
13	3211470	NUT	PZ	2
14	2222060	SCREW	PZ	7
15	2224060	ROLLER GROWER	PZ	7
16	3237896	FRAME		1
17	3223394	CELL WHEEL	PZ	1
18	3223366	DUST OUTLET DOOR SEAL	PZ	1
19	3223378	PLUG	PZ	1
20	2288893	HANDLE	PZ	2
21	3223716	HANDLE	PZ	2



N.	CODE	DESCRIPTION	UM	QTY
22	2222176	SCREW	PZ	2
23	2224140	ROLLER 6593	PZ	4
24	3229325	LOCKING HANDLE	PZ	1
25	3224150	REAR APRON SHEET		1
26	3224139	RIGHT CARTER KOINE 4-5	PZ	1
27	2288788	Self-tapping screw	PZ	3
28	2223920	SELF-LOCKING NUT	PZ	1
29	2224340	ROLLER/MORTAR PUMP	PZ	1
30	2222073	SCREW/MN	PZ	1
31	3223412	FRAME	PZ	1
32	3234104	KOINE 4 / 5 TOOL BOX KIT	PZ	1
33	3223726	DRUM		1
34	3223422	FREE RUBBER WHEEL D.200X70	PZ	4
35	3223987	SCREW TTCQ 5732-65 M8X20 Z	PZ	8
36	3223986	SCREW TTCQ 5732-65 M8X50 Z	PZ	8
37	3224148	REAR APRON	PZ	1
38	3262962	GASKET	M	1
39	3233857	GEARMOTOR FEEDING WHEEL KOINE 35 N	PZ	1
40	3228575	SUPPLY CABLE MOTOR FEEDING WHEEL K.4/5	PZ	1
41	3223377	WHEEL SUPPORT	PZ	1
42	3223376	FLANGE	PZ	1



N.	CODE	DESCRIPTION	UM	QTY
43	3200389	SCREW TCEI 5931 12X 25 Z	PZ	4



Access Platform Division

Via San Francesco d'Assisi, 8 - 46020 Pegognaga (Mantova) - ITALY Tel. +39 0376
554011 - Fax +39 0376 559855

www.imergroup.com

Building Equipment Division

Via della Meccanica, 39 (Zona Industriale Sentino) - 53040 Rapolano Terme
(Siena) - ITALY - Tel. +39 0577 97341 - Fax +39 0577 704077

www.imergroup.com