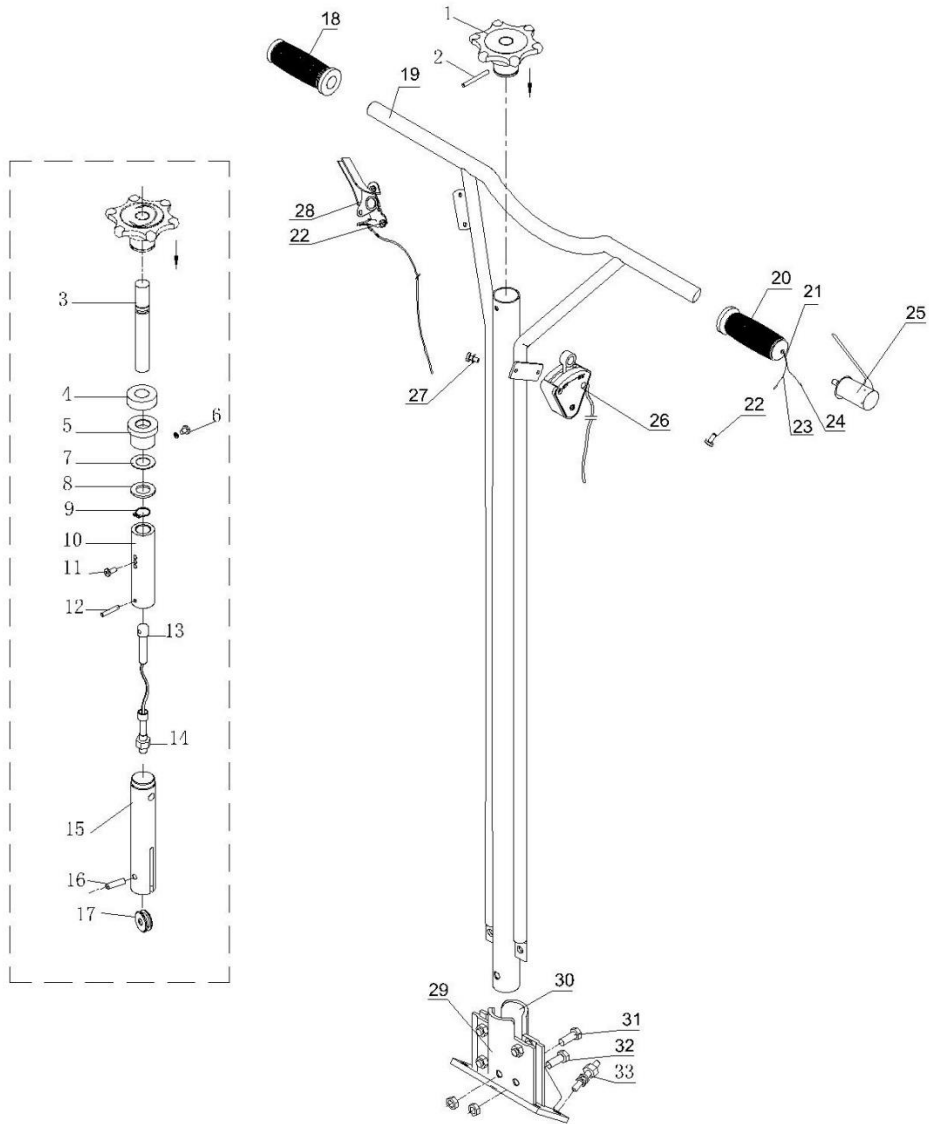


2 Parts

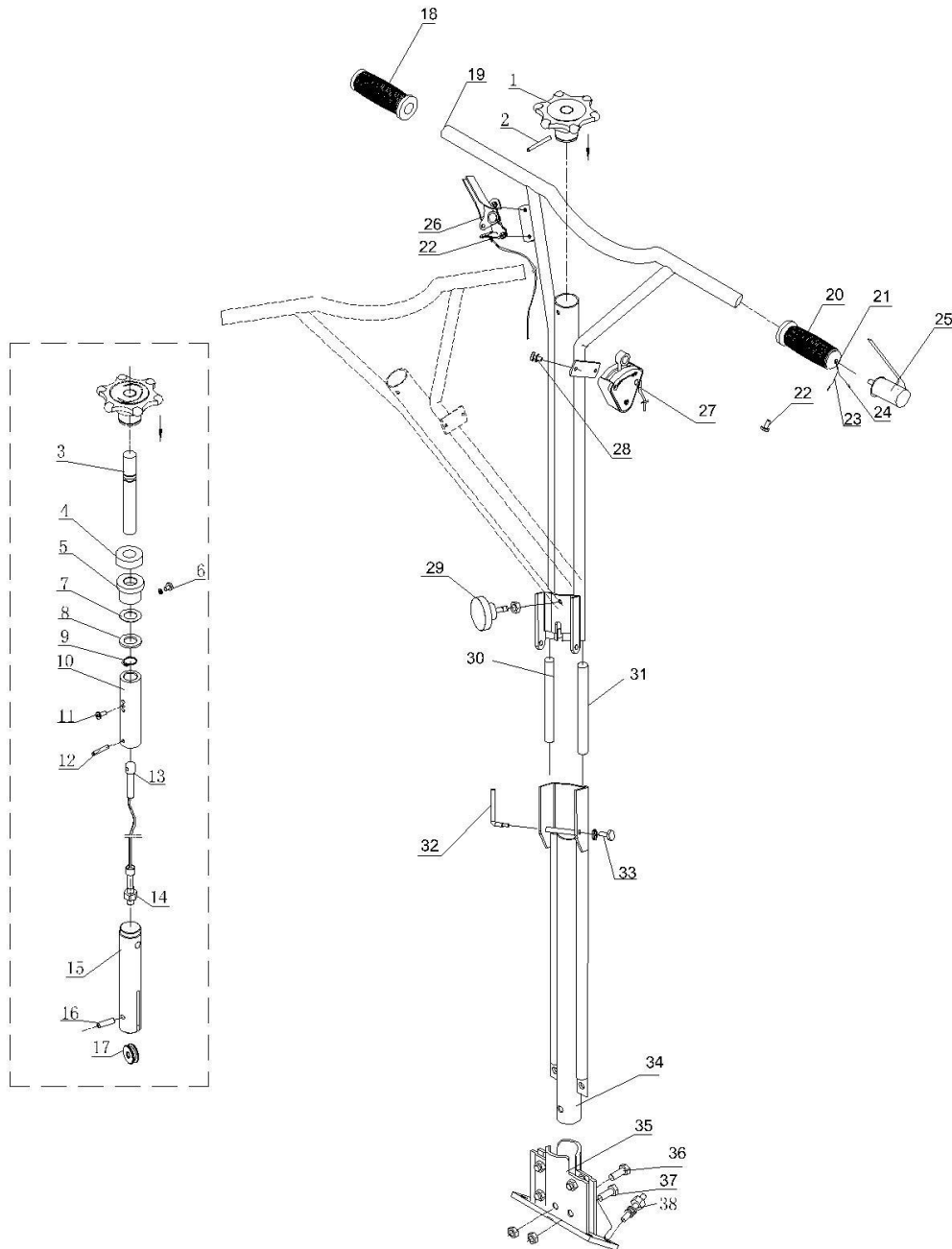
Standard Handle Assembly.



Item No.	Part No.	Description	Qty.
1	4365501	KNOB	1
2	9024	PIN	1
3	4365503	Threaded Rod	1
4	9025	BEARING	1
5	4365502	BUSHING	1
6	9026	BOLT	1
	9022	SPRING WASHER	1
7	9033	SPRING WASHER	1
8	4365504	WASHER	1
9	9027	WASHER	1
10	4365505	ALUMINIUM BUSHING	1
11	9028	BOLT	1
12	9030	PIN	1
13	4405512	PITCH CONTROL CABLE	1
14	9016	NUT	1
15	4365511	CABLE PULLEY BUSHING	1
16	9031	PIN	1
17	4365508	CABLE PULLY	1
18	9035	GRIP	1
19	4405100	BARE HANDLE	1
20	9035a	GRIP	1
21	9126	SLEEVE	1
22	9021	BOLT	3
	9011	WASHER	2
	9128	SPRING WASHER	1
23	9119	WIRE	2
24	9570	WIRE CONNECTOR	2
25	1165200A	DEADMAN SWITCH	1
26	4365200	SAFTY SWITCH CENTRIFUGAL	1
27	9010	BOLT	2
	9011	WASHER	2
28	4365400	THROTTLE ASSY	1
29	4365301	UPPER BRACKET	1
30	4405303	LOWER BRACKET	1

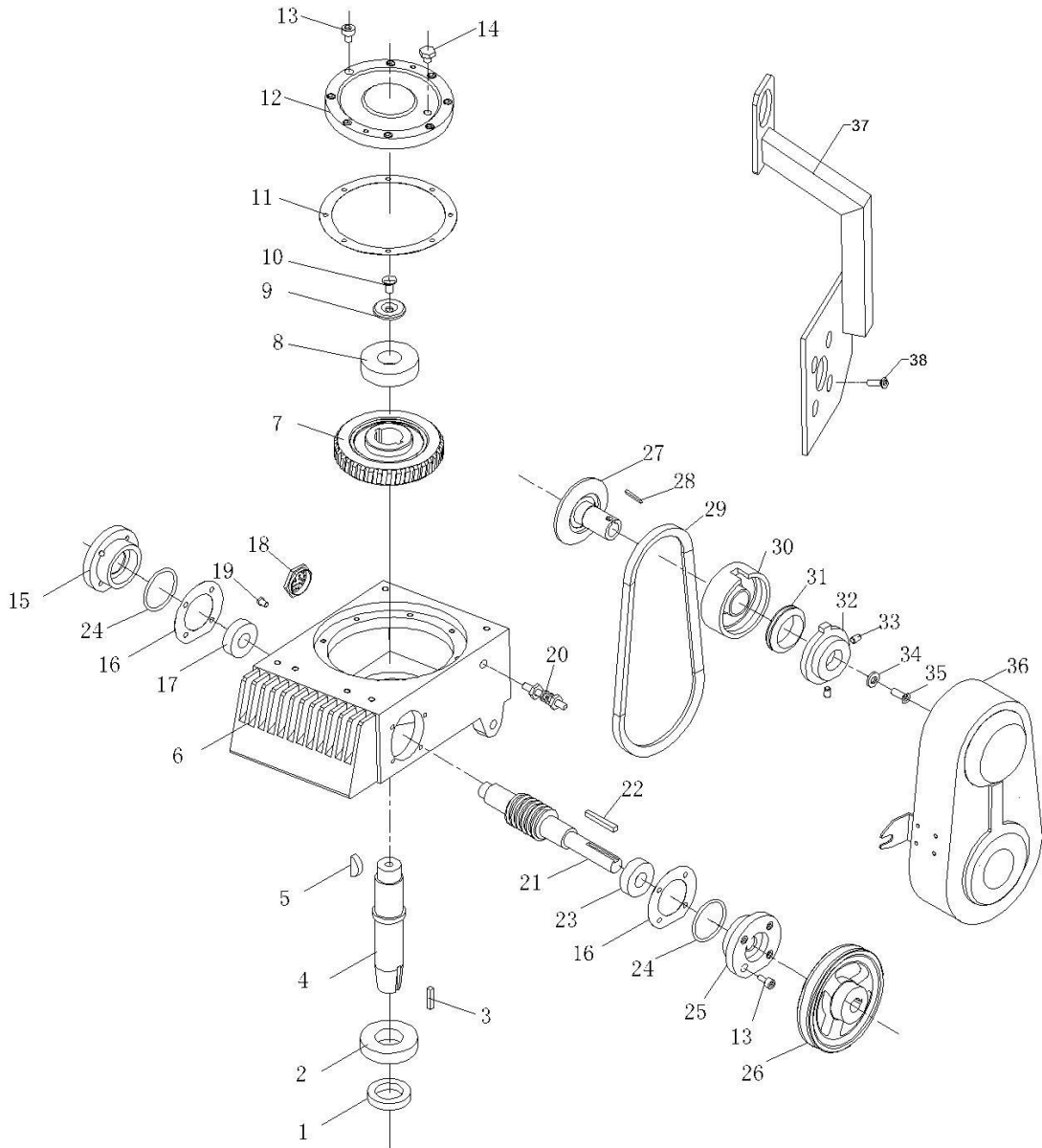
31	9017	BOLT	1
32	9018	BOLT	4
	9016	NUT	5
33	9044	BOLT	4
	9045	NUT	4
	9046	SPRING WASHER	4
	9047	WASHER	4

Folding handle assembly



Item No.	Part No.	Description	Qty.
1	4365501	KNOB	1
2	9024	PIN	1
3	4365503	THREADED ROD	1
4	9025	BEARING	1
5	4365502	BUSHING	1
6	9026	BOLT	1
	9022	SPRING WASHER	1
7	9033	SPRING WASHER	1
8	4365504	WASHER	1
9	9027	WASHER	1
10	4365505	ALUMINIUM BUSHING	1
11	9028	BOLT	1
12	9030	PIN	1
13	4405512	PITCH CONTROL CABLE	1
14	9016	NUT	1
15	4365511	CABLE WHEEL BUSHING	1
16	9031	PIN	1
17	4365508	CABLE WHEEL	1
18	9035	GRIP	1
19	4405100S	UPPER HANDLE	1
20	9035a	GRIP	1
21	9126	SLEEVE	1
22	9021	BOLT	3
	9011	WASHER	2
	9128	SPRING WASHER	1
23	9119	WIRE	2
24	9570	WIRE CONNECTOR	2
25	1165200A	DEADMAN SWITCH	1
26	4365400	THROTTLE ASSY	1
27	4365200	SAFTY SWITCH CENTRIFUGAL	1
28	9010	BOLT	2
	9011	WASHER	2
29	9381	LOCKING KNOB	1
	9045	NUT	1

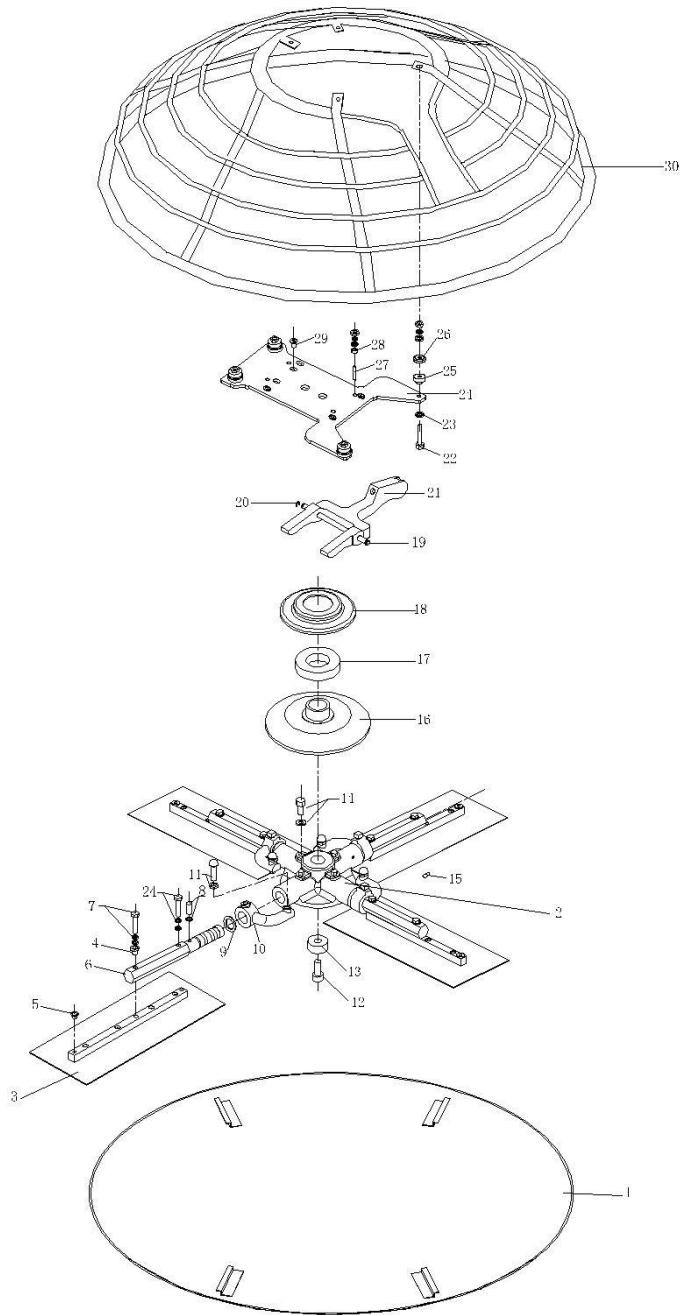
30	9784	PLASTIC TUBE	1
31	9800	PLASTIC TUBE	1
32	4365110	LOCKING GRIP	1
33	9098	BOLT	1
	9038	WASHER	1
34	4405100X	LOWER HANDLE ASSY	1
35	4405300	BRACKET	1
36	9017	BOLT	1
37	9018	BOLT	4
	9016	NUT	5
	9044	BOLT	4
38	9045	NUT	4
	9046	SPRING WASHER	4
	9047	WASHER	4



Item No.	Part No.	Description	Qty.
1	9050	SEAL	1
2	9048	BEARING	1
3	9051	PIN	1
4	4364011	MAIN SHAFT	1
5	9052	KEY	1
6	4364003	GEARBOX CASING	1
7	4364010	WORM GEAR	1
8	9049	BEARING	1
9	4364006	WASHER	1
10	4364007	BOLT	1
11	4364008	PLASTIC SHIMMING	1
12	4364005	GEARBOX COVER	1
13	9043	BOLT	16
14	4364100	OIL RELIEF VALVE	1
15	4364014	BEARING FLANGE	1
16	4364015	PLASTIC SHIMMING	2
17	9063	BEARING	1
18	9064	OIL SIGHT GLASS	1
19	9053	BOLT	2
20	9044	BOLT	1
	9059	NUT	2
	9046	SPRING WASHER	1
	9047	WASHER	1
21	4364013	COUNTER SHAFT	1
22	9054	KEY	1
23	9057	BEARING	1
24	9056	SEAL	2
25	4364012	BEARING FLANGE	1
26	4362001	PULLEY	1
	4462001	PULLEY(9HP)	1
27	4363001	SPINDLE	1
	4463001	SPINDLE(9HP)	1
28	9076	KEY	1
	9155	KEY(9HP)	1

29	9061	BELT	1
	9161	BELT(9HP)	1
30	4363002	DRUM	1
	4463002	DRUM(9HP)	1
31	4363004	WEIGHT	1
	4463004	WEIGHT(9HP)	1
32	4363003	FACE PLATE	1
	4463003	FACE PLATE(9HP)	1
33	9078	BOLT	2
	9478	BOLT(9HP)	2
34	4363005	WASHER	1
35	9079A	BOLT	1
	9146	BOLT(9HP)	1
36	4362100	BELT GUARD	1
	4362100A	BELT GUARD(9HP)	1
37	4368000	HOOK LIFT	1
	4408000	HOOK LIFT(9HP)	1
38	9079	BOLT	4
	9151	BOLT(9HP)	4
	9037	SPRING WASHER	5
	9038	WASHER	5

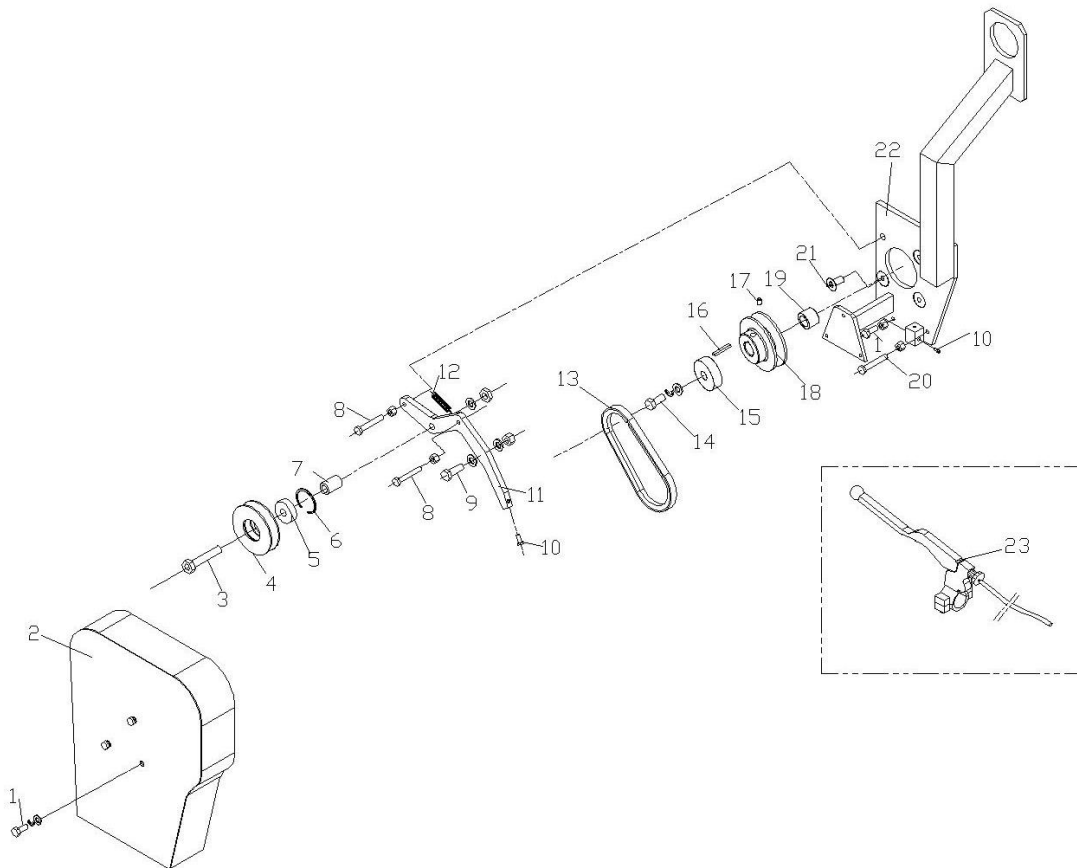
PARTS SPECIAL TO BT90 WITH HONDA GX270 ENGINE



Item No.	Part No.	Description	Qty.
1	FP9404P/NP	PAN	1
2	4366005	SPIDER PLATE	1
3	F90416	FINISH BLADE	4
4	4366007a	ADJUSTING NUT	4
5	4366911	PLASTIC THREAD PROTECTOR	4
6	4366001A	TROWEL ARM	4
7	9215	BOLT	4
	9037	SPRING WASHER	4
	9038	WASHER	4
8	9540	BOLT	4
	9059	NUT	4
9	9073	SEAL	4
10	4366006	LIFTING LEVER	4
11	9067	BOLT	4
	9059	NUT	4
12	9410A	BOLT	1
13	4366004	BUSHING	1
14	9066	BOLT	4
	9046	SPRING WASHER	4
15	9069B	GREASE NIPPLE	4
16	4366003A	PRESSURE PLATE	1
17	9070A	BEARING	1
18	4366002A	PRESSURE PLATE COVER	1
19	4365509	YOKE ARM PIN	1
20	9034	RETAINING CLIP	2
21	4365510	YOKE ARM	1
22	9040	BOLT	4
	9037	SPRING WASHER	4
	9038	WASHER	4
	9036	NUT	4
23	9039	WASHER	4
24	4369000	ENGINE PLATE	1
	4369100	ENGINE PLATE(9HP)	1
25	4364009	RUBBER BUSHING	4

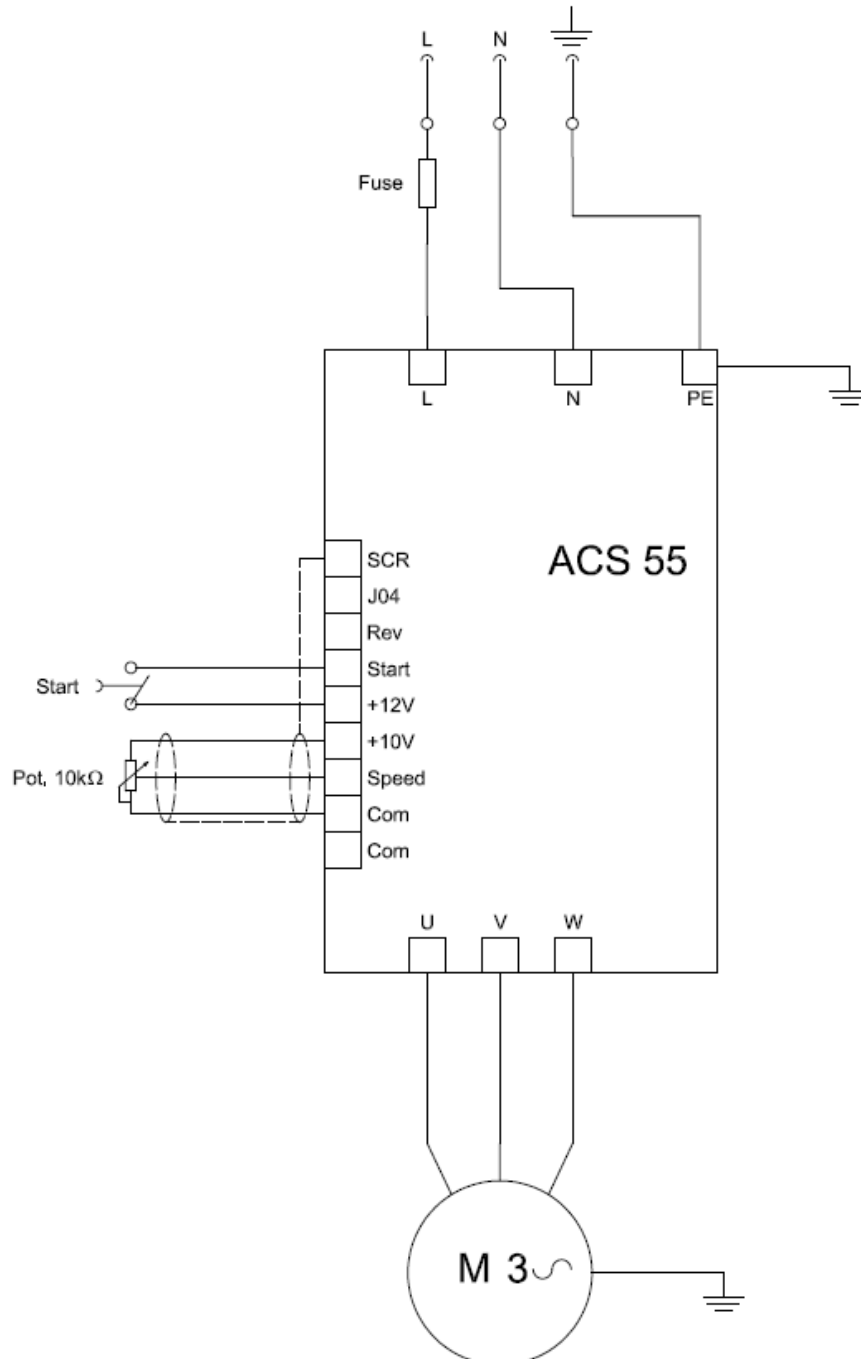
26	4364002	BUSHING CAP	4
27	9041	BOLT	4
	9044	BOLT(9HP)	4
	9037	SPRING WASHER	4
	9046	SPRING WASHER(9HP)	4
	9038	WASHER	4
	9047	WASHER(9HP)	4
	9036	NUT	4
	9045	NUT(9HP)	4
	28	4364004	WASHER
9159		WASHER(9HP)	4
29	9042	BOLT	6
30	4367000	GUARD RING	1

SPECIAL STOP SYSTEM BT90. (REPLACES CLUTCH WITH JOCKY PULLEY DRIVE SYSTEM)

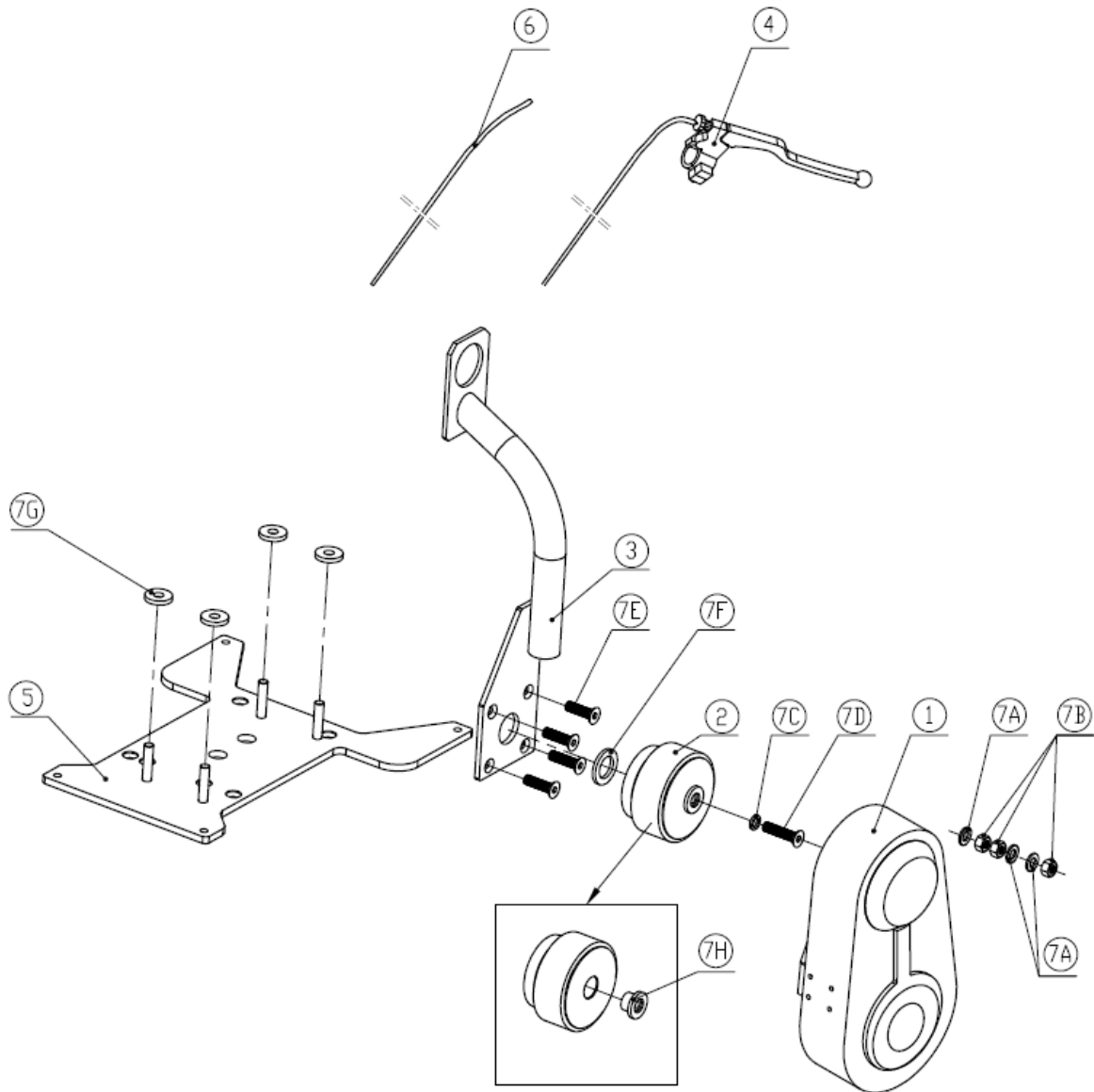


Item No.	Part No.	Description	Qty.
1	9220	BOLT	4
	9330	WASHER	3
	9022	SPRING WASHER	3
	9448	NUT	1
2	363422	BELT GUARD	1
3	9321	BOLT	1
	9047	WASHER	1
	9059	NUT	1
4	363491	TENSIONER	1
5	9474	BEARING	1
6	9412	RETAINER RING	1
7	363490	BUSHING	1
8	9746	BOLT	2
	9448	NUT	2
9	9747	BOLT	1
	9038	WASHER	2
	9138	NUT	1
10	9010	BOLT	2
11	363489	PLATE	1
12	9411B	SPRING	1
13	9587	BELT	1
14	9096	BOLT	1
	9103	SPRING WASHER	1
	9038	WASHER	1
15	363499	WASHER	1
16	9930	KEY	1
17	9101	BOLT	1
18	363498	PULLEY	1
19	47867	WASHER	1
20	9015	BOLT	1
	9448	NUT	1
21	9079	BOLT	3
22	363509	HOOK LIFT	1
23	363518a	GRIP	1

ELECTRIC WIRING DIAGRAM



PARTS SPECIAL TO MODEL BT90YDK YANMAR LD48 DIESEL ENGINE



Item No.	Part No.	Description	Qty.
1	48N2100	Belt guard	1
2	B4363000	Clutch	1
3	48N8000	Lift hook	1
4	48N5200	Shut off assy	1
5	48N9000	Engine deck	1
6	9522A	Throttle cable	1
7	48NA	Bolt kits	1
7A	9047	Washer	3
7B	9091	Nut	3
7C	9037	Spring washer	1
7D	9375	Bolt	1
7E	9079	Bolt	4
7F	48N3102	Spacer	1
7G	48N3101	Spacer	4
7H	48N3007	Bushing	1