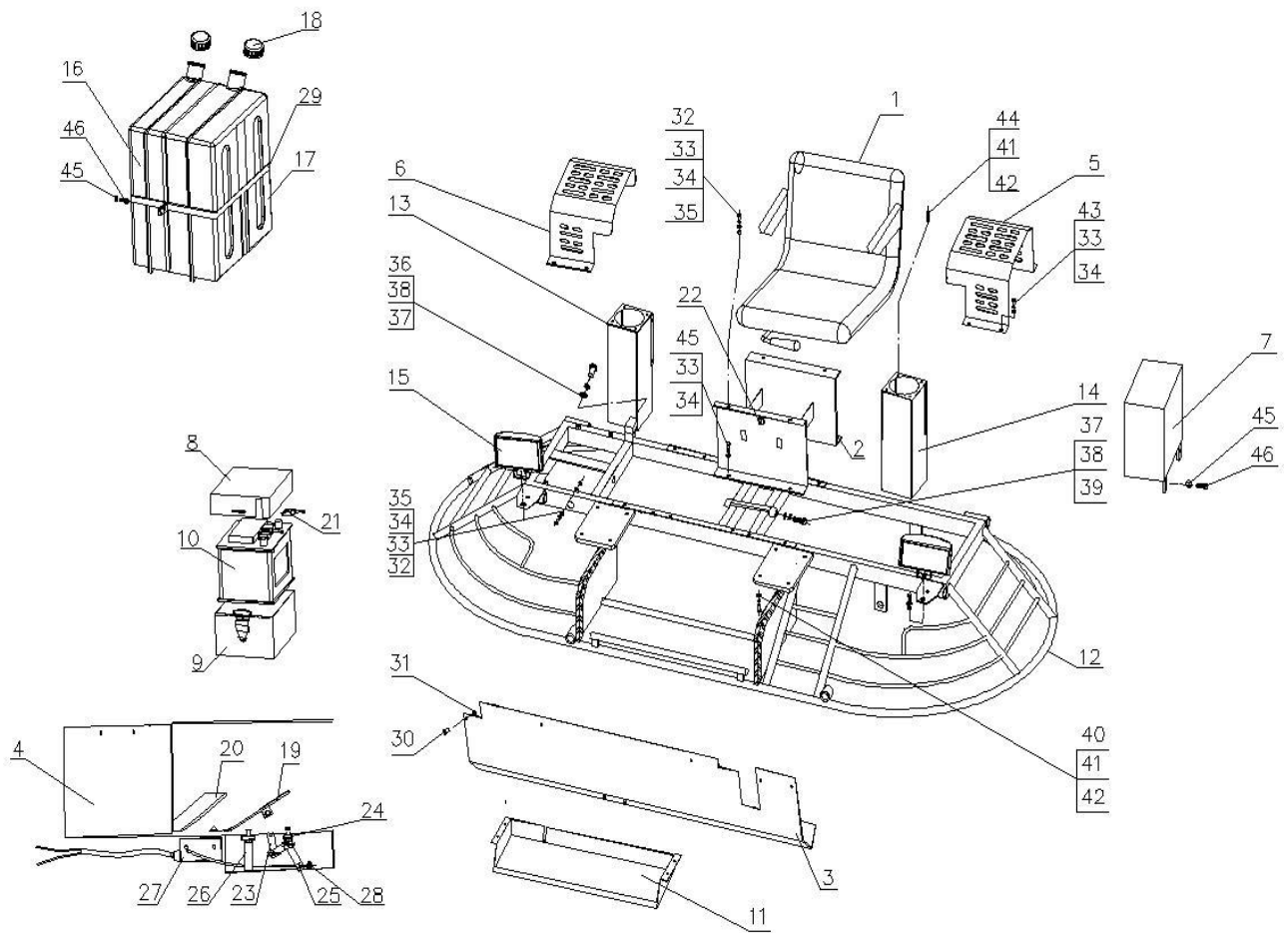


10. PARTS

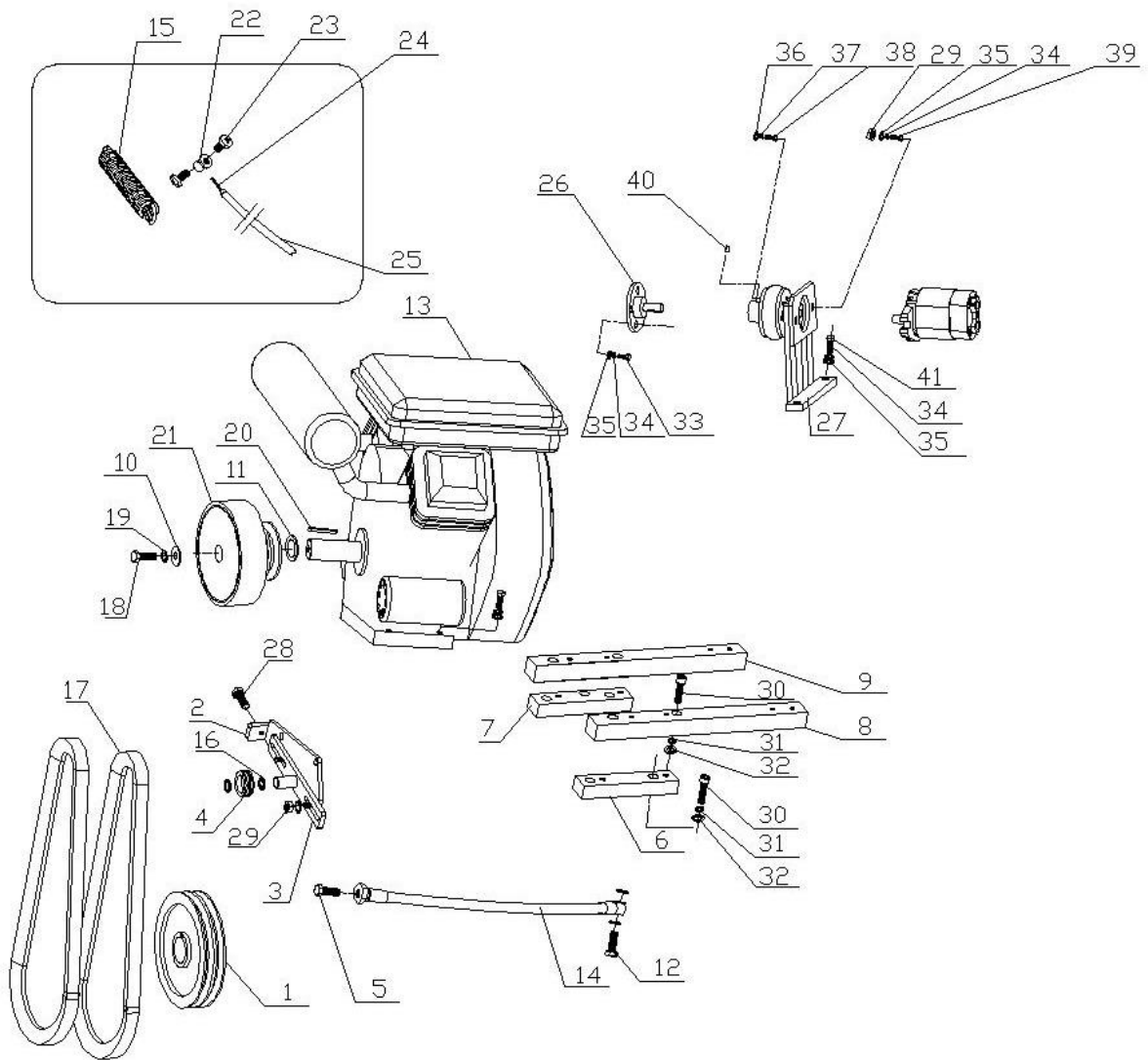
FRAMEWORK AND GUARD RING



Item No.	Part No.	Description	Qty.
1	836H0453	SEAT	1
2	836H0879	SEAT FRAME	1
3	836H0538	COVER PLATE, BOTTOM	1
4	836H1436	FOOT PLATE	1
5	836H0539L	COVER PLATE, LEFT	1
6	836H0539R	COVER PLATE, RIGHT	1
7	8360459	BELT GUARD	1
8	8360463	BATTERY COVER	1
9	8360464	BATTERY BOX	1
10	8360019	BATTERY	1
11	8361437	COVER PLATE, THROTTLE	1
12	836H0452	GUARD RING	1
13	836H0540R	HANDLE FRAME, RIGHT	1
14	836H0540L	HANDLE FRAME, LEFT	1
15	8360598	LIGHT	2
16	836H1073	WATER TANK	1
17	8361073A	PETROL TANK	1
18	8360199	CAP	2
19	8360592a	THROTTLE CONTROL PEDAL	1
20	8361062a	SAFTY SWITCH PEDAL	1
21	8360968	CONNECTOR, BATTERY	2
22	8369539	SWITCH	1
23	8361425	FOOT THROTTLE PART	1
24	8361426	FOOT THROTTLE PART	1
25	8361427	FOOT THROTTLE PART	1
26	8361428	FOOT THROTTLE PART	1
27	8369555	SAFTY SWITCH	1
28	4365403	CLAMP	1
29	836H1378	TANK FRAME	2
30	9902	BOLT	4
31	9023	NUT	4
32	9098	BOLT	8
33	9037	SPRING WASHER	20
34	9038	WASHER	20
35	9306	NUT	8
36	9511	BOLT	1
37	9661	WASHER	3
38	9504	SPRING WASHER	3
39	9512	BOLT	2
40	9133	BOLT	8
41	9022	SPRING WASHER	16
42	9330	WASHER	16

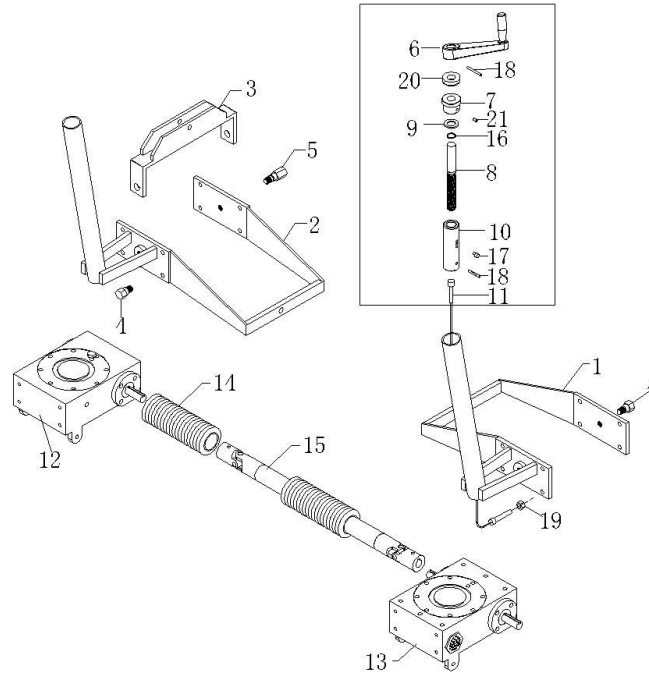
43	9097	BOLT	12
44	9380	BOLT	8
45	9236	NUT	4
46	9040	BOLT	4

POWER SYSTEM



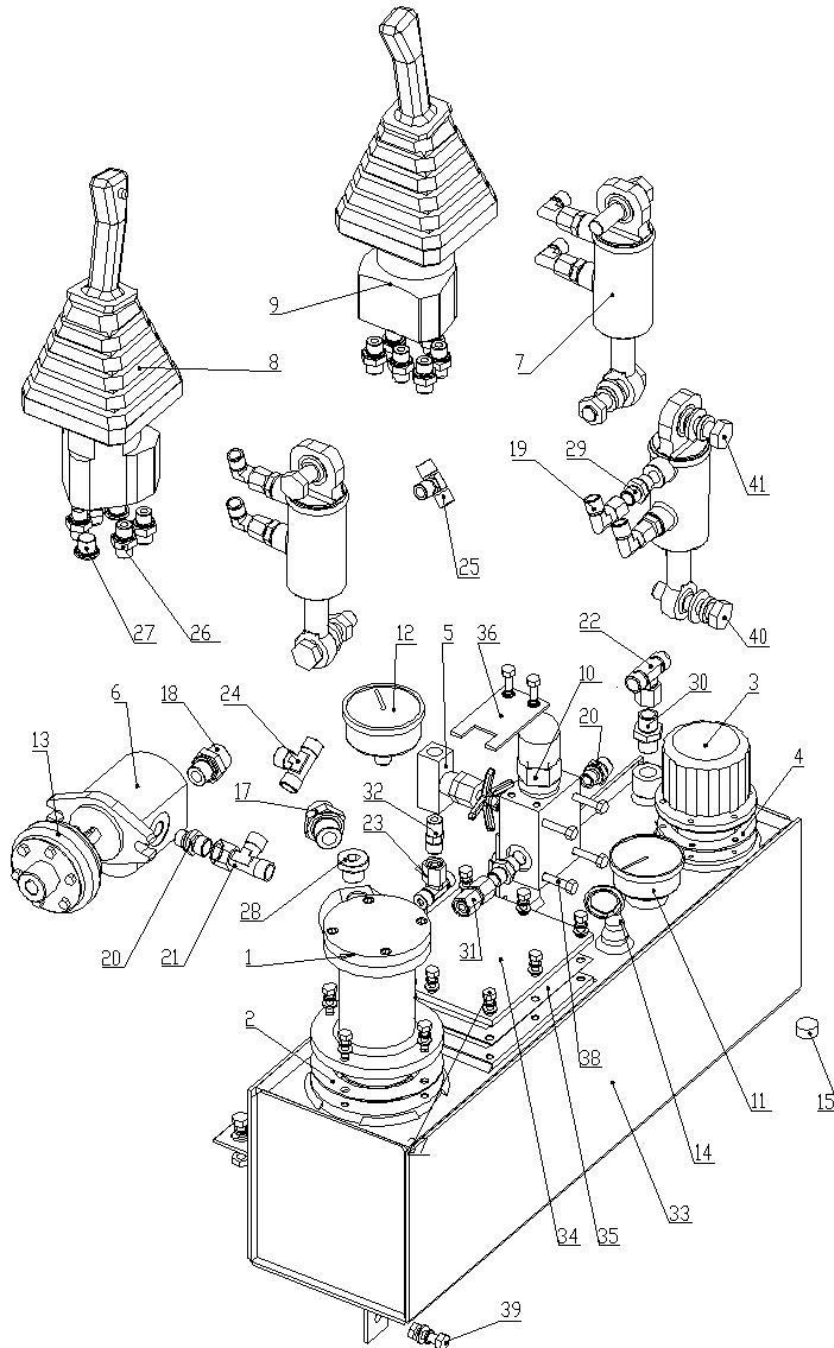
Item No.	Part No.	Description	Qty.
1	8360314	PULLEY	1
2	8361458	MOUNGTING PLATE, PULLEY	1
3	8361125	ADJUST PLATE, PULLEY	1
4	8361461a	TENSIONER	1
5	8361610	BOLT	1
6	8361423	ENGINE MOUNTING BAR	1
7	8361424	ENGINE MOUNTING BAR	1
8	836H1423	ENGINE MOUNTING BAR	1
9	836H1424	ENGINE MOUNTING BAR	1
10	JG846A030006	BUSHING	1
11	8360060	WASHER	1
12	8361611G	BOLT	1
13	31000037	GX690	1
14	8361607G	OIL PIPE	1
15	8361786	SPRING	1
16	8369063A	BEARING	2
17	8360249	BELT	2
18	8360529	BOLT	1
19	8360064	SPRING WASHER	3
20	8369155	KEY	1
21	8361815	CLUTCH	1
22	4365403	CLAMP	1
23	8369019	BOLT	2
24	8369522	THROTTLE CABLE	1
25	8369523	THROTTLE CABLE SLEEVE	1
26	836H0551	FLANGE	1
27	836H0552	SUPPORTING FRAME	1
28	9605	BOLT	1
29	9036	NUT	4
30	9018	BOLT	9
31	9046	SPRING WASHER	9
32	9047	WASHER	9
33	9098	BOLT	4
34	9037	SPRING WASHER	6
35	9038	WASHER	6
36	9330	WASHER	12
37	9022	SPRING WASHER	12
38	9093	BOLT	12
39	9232	BOLT	2
40	9447	BOLT	2
41	9262	BOLT	4
42	9040	BOLT	4

STEERING SYSTEM



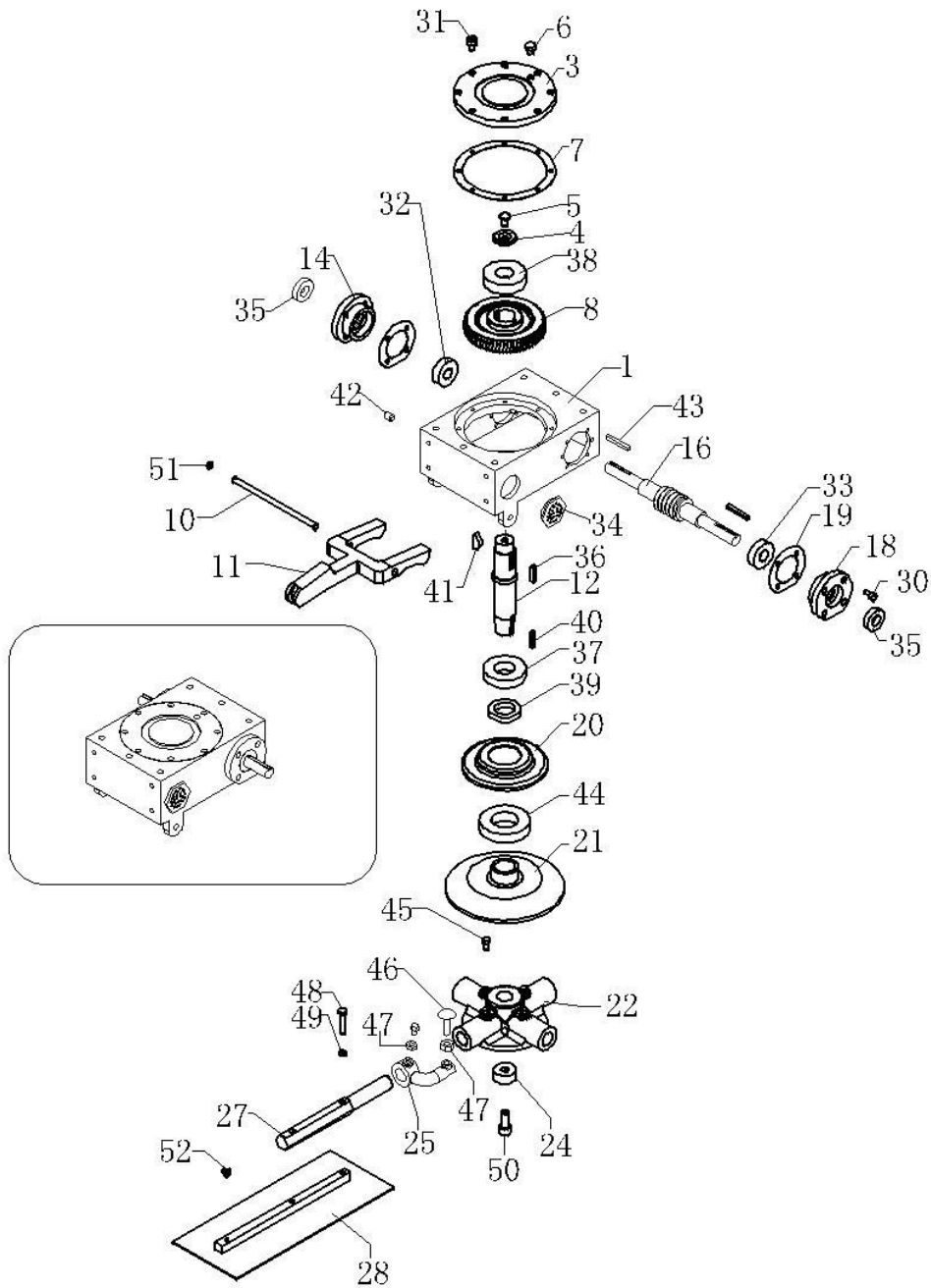
Item No.	Part No.	Description	Qty.
1	8360484a	BRACKET, LEFT	1
2	8360491a	BRACKET, RIGHT	1
3	8360494a	BRACKET	1
4	8360485a	BOLT	3
5	836H0492a	BOLT	1
6	B8360470	PITCH HANDLE	2
7	4465502	BUSHING	2
8	4365503	ADJUST SHAFT	2
9	4365504	WASHER	2
10	4465505	ADJUST SHAFT BUSHING	2
11	8360973	PITCH CONTROL CABLE	2
12	8364000R	GEARBOX, RIGHT	1
13	8364000L	GEARBOX, LEFT	1
14	8360489	RUBBER COVER	2
15	8360488	JOINT SHAFT	1
16	9027	WASHER	2
17	9028	BOLT	2
18	9157A	PIN	4
19	9016	NUT	2
20	9025	BEARING	2
21	9093	BOLT	2

HYDRAULIC SYSTEM



Item No.	Part No.	Description	Qty.
1	9791	OIL FILTER	1
2	9791-DP	SHIMMING	1
3	9793	AIR FILTER	1
4	9793-DP	SHIMMING	1
5	9795	VAVLE	1
6	9796	HYDRALIC PUMP	1
7	9798	HYDROCYLINDER	3
8	9801-Z	HYDRAULIC CONTROL LEVER	1
9	9801-Y	HYDRAULIC CONTROL LEVER	1
10	9803	SPILL VAVLE	1
11	9805	TEMPERATURE METER	1
12	9807	OIL PRESSURE METER	1
13	9809	COUPLING	1
14	9812-836H	OIL GAUGE	1
15	9811	PLUG	1
17	9815	CONNECTOR	1
18	9816	CONNECTOR	1
19	9817	CONNECTOR	6
20	9818	CONNECTOR	2
21	9819	TEE CONNCTOR	1
22	9820	TEE CONNCTOR	1
23	9821	TEE CONNCTOR	1
24	9822	TEE CONNCTOR	1
25	9823	TEE CONNCTOR	1
26	9824	CONNECTOR	10
27	9825	PLUG	2
28	9826	PLUG	1
29	9827	CONNECTOR	7
30	9828	CONNECTOR	1
31	9829	CONNECTOR	1
32	9830	CONNECTOR	1
33	836H-YX	OIL TANK	1
34	836HYX-FLG	FLANGE	1
35	836HYX-FLG-DP	SHIMMING	1
36	836H-FJ3	BASE PLATE	1
37	M6*16	HARDWARE KIT	14
38	M6*55	HARDWARE KIT	4
39	M8*20	HARDWARE KIT	4
40	M14*60	HARDWARE KIT	2
41	M14*50	HARDWARE KIT	4

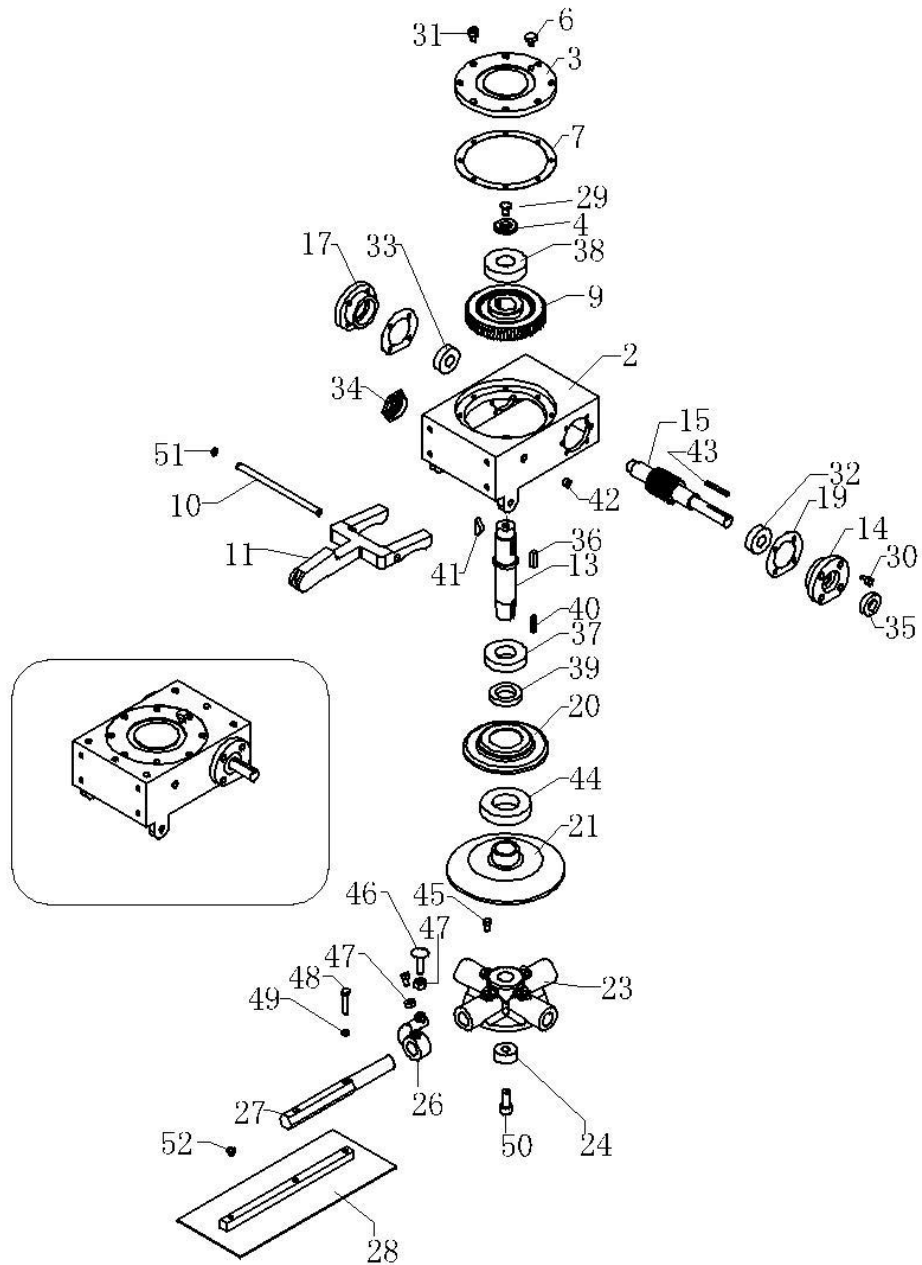
GEARBOX ASSEMBLY LEFT



Item No.	Part No.	Description	Qty.
1	8364003L	GEARBOX CASING, LEFT	1
3	8364005	GEARBOX COVER	1
4	4364006	PRESSURE WASHER	1
5	4364007	BOLT	1
6	4364100	RELEASE VALVE	2
7	4464008	SHIMMING	1
8	8364010L	BRONZE GEAR, LEFT	1
10	4465509	SHAFT, YOKE ARM	1
11	4465510	YOKE ARM	1
12	8364011L	MAIN SHAFT, LEFT	1
14	4464012	BEARING FLANGE	1
16	8364013L	COUNTER SHAFT, LEFT	1
18	8364014	BEARING FLANGE	1
19	4464015	SHIMMING	2
20	4466002	PRESSURE PLATE COVER	1
21	8366003	PRESSURE PLATE	1
22	8366005L	LEFT SPIDER PLATE	1
24	4466004	BUSHING	1
25	4466006	LIFT LEVER	4
27	8366001	TROWEL ARM	4
28	4366100Y	BLADE	4
30	9043	BOLT	12
31	9118	BOLT	8
32	9143	BEARING	1
33	9141	BEARING	1
34	9064	GLASS EYE	1
35	9055	SEAL	2
36	9531	KEY	1
37	9222	BEARING	1
38	9144	BEARING	1
39	9153	SEAL	1
40	9154	KEY	1
41	9156	KEY	1
42	9053	PLUG	2
43	9532	KEY	2
44	9140	BEARING	1
45	9066	BOLT	4
46	9067	BOLT	4
47	9059	NUT	8
48	9071	BOLT	8
49	9037	SPRING WASHER	8
50	9068	BOLT	1

51	9202	RETAINER RING	2
52	9072	PLUG	4

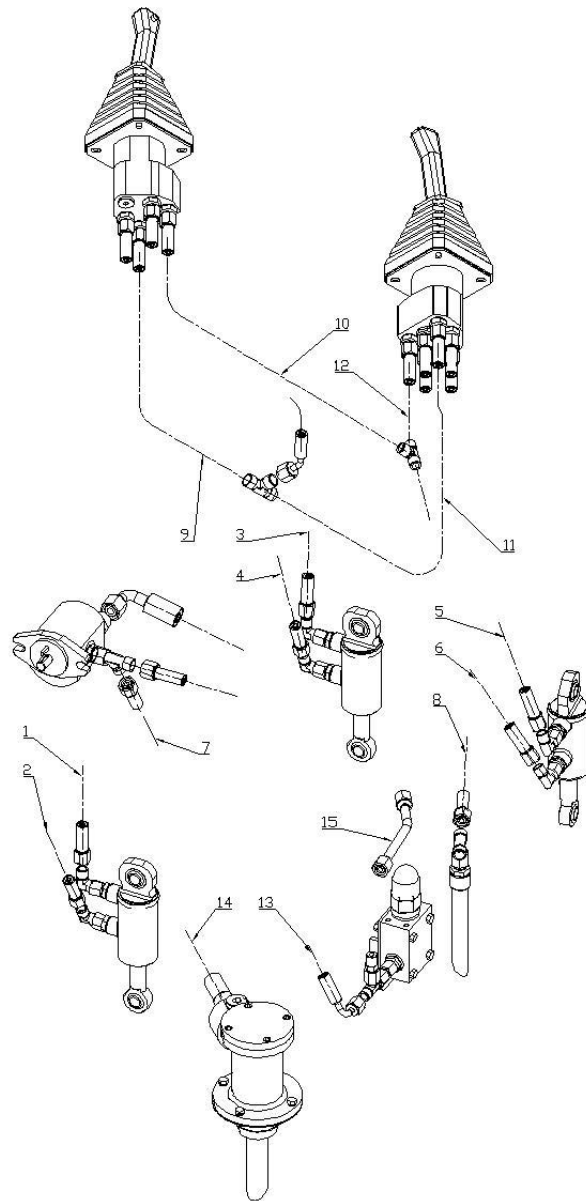
GEARBOX ASSEMBLY RIGHT



Item No.	Part No.	Description	Qty.
2	8364003R	GEARBOX CASING, RIGHT	1
3	8364005	GEARBOX COVER	1
4	4364006	PRESSURE WASHER	1
6	4364100	RELEASE VALVE	2
7	4464008	SHIMMING	1
9	8364010R	BRONZE GEAR, RIGHT	1
10	4465509	SHAFT, YOKE ARM	1
11	4465510	YOKE ARM	1
13	8364011R	MAIN SHAFT, RIGHT	1
14	4464012	BEARING FLANGE	1
15	8364013R	COUNTER SHAFT, RIGHT	1
17	4464014	BEARING FLANGE	1
19	4464015	SHIMMING	2
20	4466002	PRESSURE PLATE COVER	1
21	8366003	PRESSURE PLATE	1
23	8366005R	RIGHT SPIDER PLATE	1
24	4466004	BUSHING	1
26	8366006	LIFT LEVER	4
27	8366001	TROWEL ARM	4
28	4366100Y	BLADE	4
29	9145	BOLT	1
30	9043	BOLT	12
31	9118	BOLT	8
32	9143	BEARING	1
33	9141	BEARING	1
34	9064	GLASS EYE	1
35	9055	SEAL	1
36	9531	KEY	1
37	9222	BEARING	1
38	9144	BEARING	1
39	9153	SEAL	1
40	9154	KEY	1
41	9156	KEY	1
42	9053	PLUG	2
43	9532	KEY	1
44	9140	BEARING	1
45	9066	BOLT	4
46	9067	BOLT	4
47	9059	NUT	8
48	9071	BOLT	8
49	9037	SPRING WASHER	8
50	9068	BOLT	1

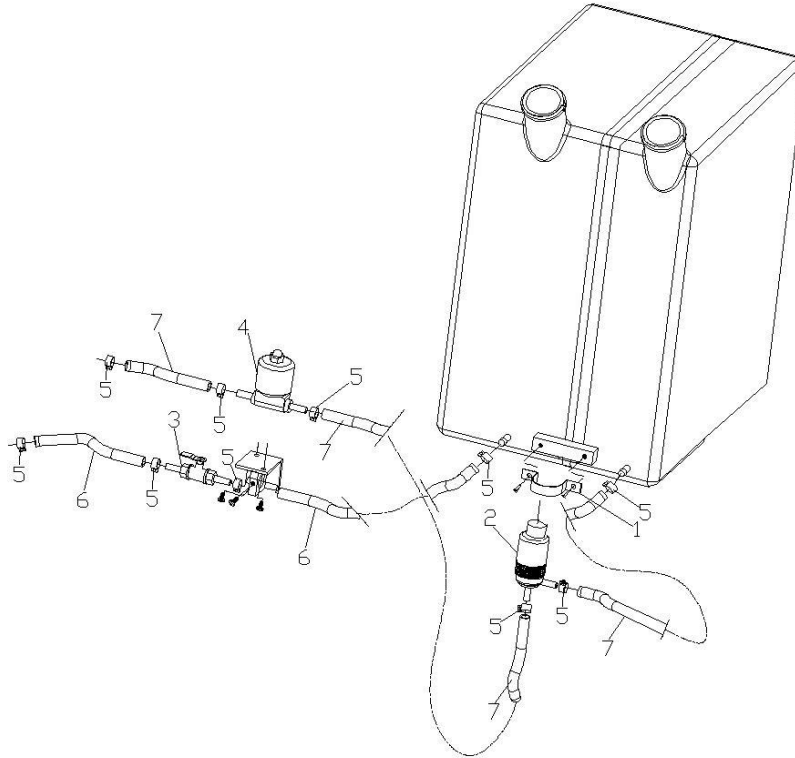
51	9202	RETAINER RING	2
52	9072	PLUG	4

OIL HOUSE



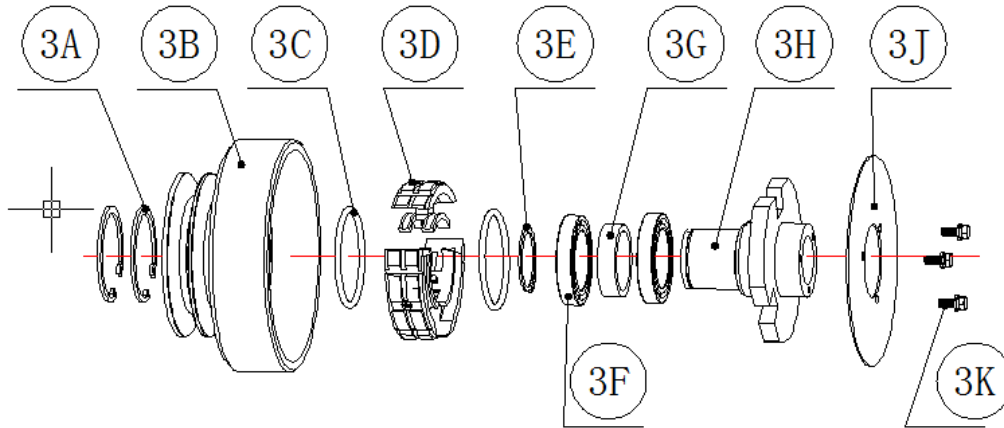
Item No.	Part No.	Description	Qty.
1	836RG-1	HOSE	1
2	836RG-2	HOSE	1
3	836RG-3	HOSE	1
4	836RG-4	HOSE	1
5	836RG-5	HOSE	1
6	836RG-6	HOSE	1
7	836RG-7	HOSE	1
8	836RG-8	HOSE	1
9	836RG-9	HOSE	1
10	836RG-10	HOSE	1
11	836RG-11	HOSE	1
12	836RG-12	HOSE	1
13	836RG-13	HOSE	1
14	836RG-14	HOSE	1
15	836RG-15	HOSE	1

FUEL EN WATER SYSTEM



Item No.	Part No.	Description	Qty.
1	8361144	MOUNTING PLATE, WATER PUMP	1
2	8361067	WATER PUMP	1
3	8361476	VALVE	1
4	8361142	SOLENOID PILOT ACTUATED VALVE	1
5	8361071	JOINT	12
6	8360589	OIL PIPE	2
7	8360754	WATER PIPE	2

CLUTCH ASSEMBLY



Item No.	Part No.	Description	Qty.
3A	9472	CIRCLIP	2
3B	8361815C1	CLUTCH BODY	1
3C	8361815C7	SPRING	2
3D	8361815CA3	SHOES ASSY	1
3E	9471	CIRCLIP	1
3F	9470	BEARING	2
3G	8361815C6	BUSHING	1
3H	8361815C2	SHOES HOLDER	1
3J	8361815C5	COVER	1
3K	9220	BOLT	3
	9022	SPRING WASHER	3
	9330	WASHER	3