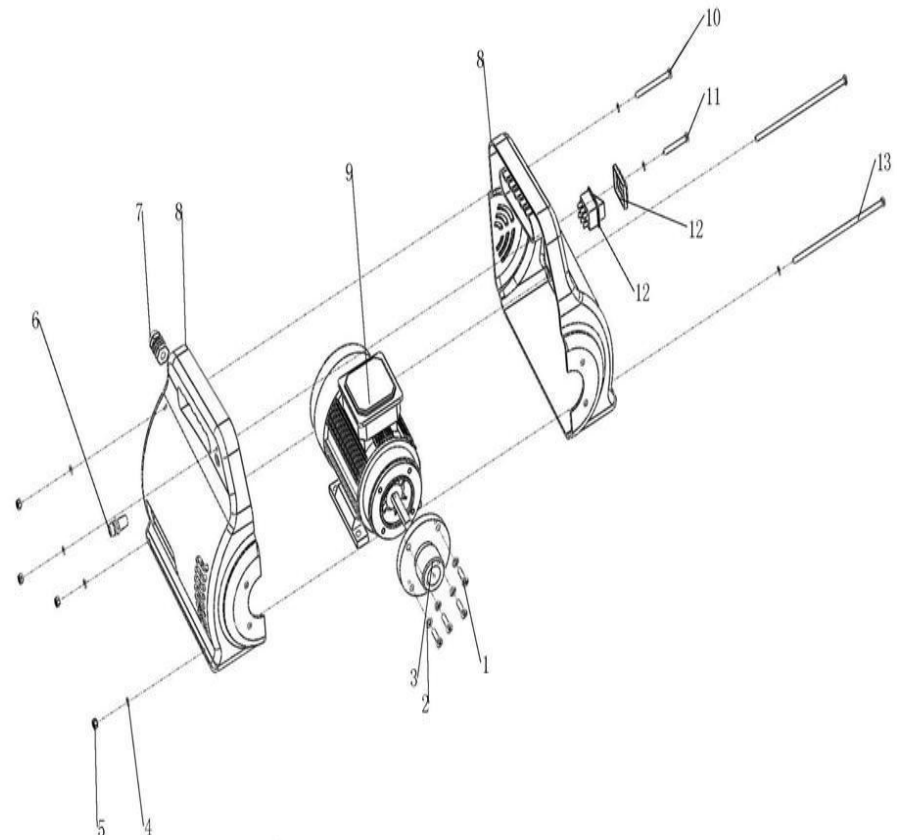


## BISONTE VIB-E SPARE PARTS LIST

### Major components

PART NO.	DESCRIPTION	Unit. Price Euro without VAT	Quantity
BZVE-001	Pan head machine scres M5*20		4
BZVE-002	Extra flat washerφ5		4
BZVE-003	Coupling φ5		1
BZVE-004	Flat washer φ5		8
BZVE-005	Lock nut φ5		4
BZVE-006	Fuse		1
BZVE-007	Cable clip φ16		1
BZVE-008	Case		1 set
BZVE-009	Electric motor		1
BZVE-010	Pan head machine scres M5*60		1
BZVE-011	Pan head machine scres M5*40		1
BZVE-012	Switch		1 set
BZVE-013	Pan head machine scres M5*160		2



## BISONTE VIB-S SPARE PARTS LIST

### Major components

PART NO.	DESCRIPTION	Unit. Price Euro without VAT	Quantity
BZVM-001	Engine		1
BZVM-002	Lock nut M8		4
BZVM-003	protective frame		1
BZVM-004	Hexagonal bolt M8		4
BZVM-005	Bottom seat		1
BZVM-006	coupling inner core(Japanese type)		1
BZVM-006	coupling inner core(Danapactype)		1
BZVM-007	coupling outer(Japanese type)		1
BZVM-007	coupling outer(Danapac type)		1
BZVM-008	Coupling assy(Japanese type)		1
BZVM-008	Coupling assy(Danapactype)		1
BZVM-009	Hexagonal bolt M8*20		4

