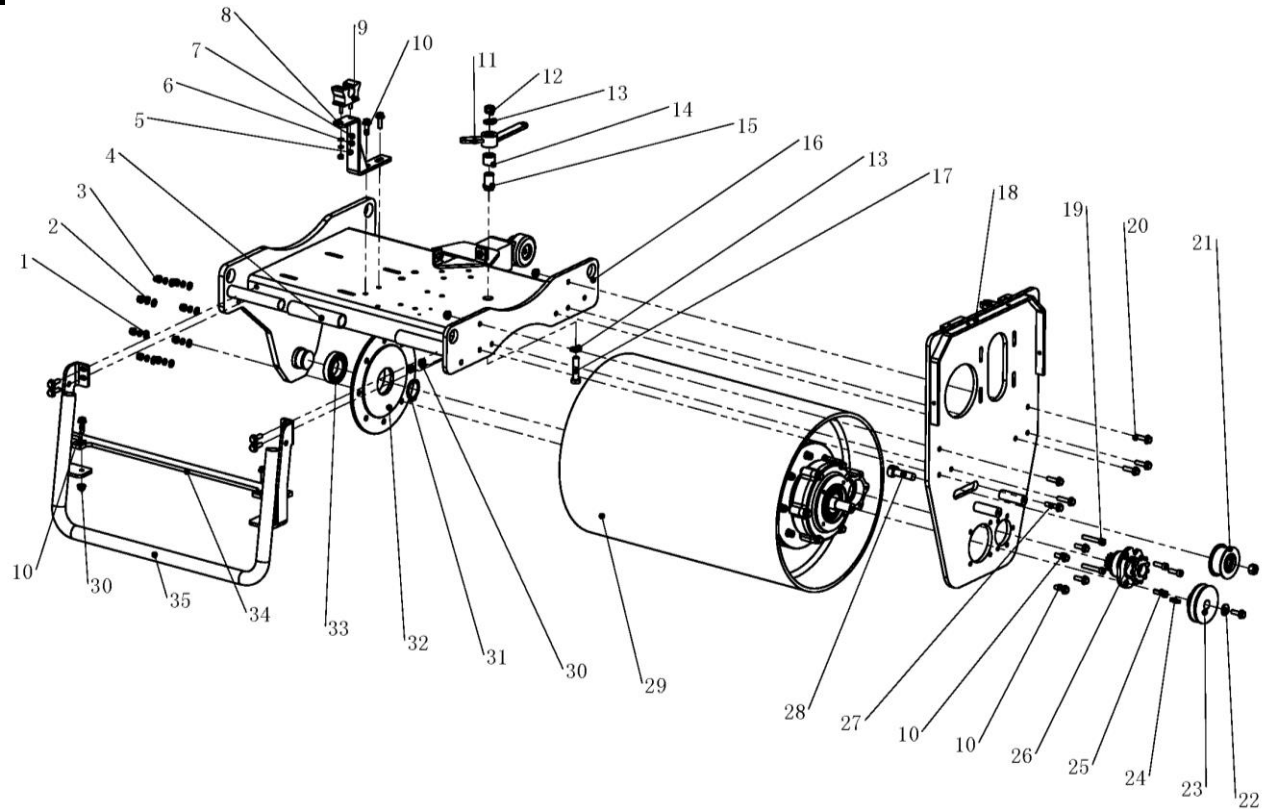


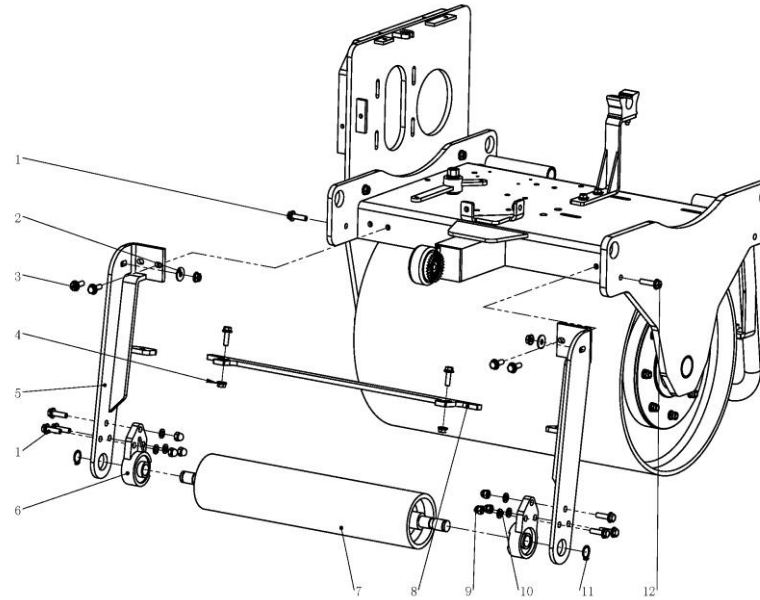
### Schema explodata Cilindru vibrocompactor CV300

Single-drum roller parts (A)			
PART NO.	DESCRIPTION (English)	QYT	UNIT PRICE
CNYL641-A001	Flat washer $\Phi 8$	8	
CNYL641-A002	Spring washer $\Phi 8$	8	
CNYL641-A003	Nut M8-N	8	
CNYL641-A004	Rubber sleeve	2	
CNYL641-A005	Nut M6	2	
CNYL641-A006	Spring washer $\Phi 6$	2	
CNYL641-A007	Flat washer $\Phi 6$	2	
CNYL641-A008	Hoop bracket	1	
CNYL641-A009	Tank hoop	1	
CNYL641-A010	Hexagon bolt M8x25	13	
CNYL641-A011	Return mechanism 5	1	
CNYL641-A012	Nut M12	2	
CNYL641-A013	Flat washer 12	2	
CNYL641-A014	Bearing HK202620	1	
CNYL641-A015	Return mechanism 4	1	
CNYL641-A016	Rack	1	
CNYL641-A017	Hexagon bolt M12X50	1	
CNYL641-A018	Side frame	1	



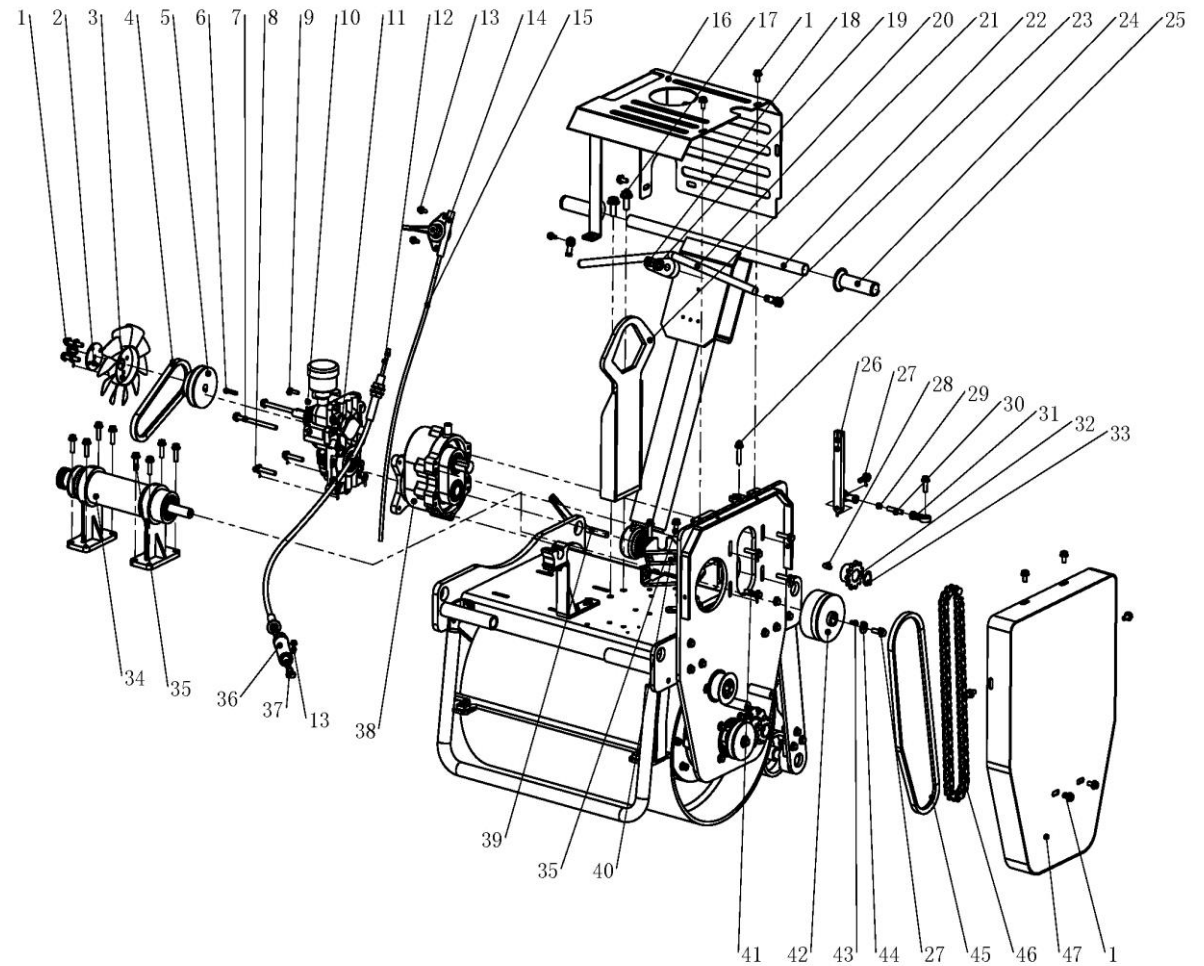
CNYL641-A019	Hexagon socket bolt M8X50	2	
CNYL641-A020	Hexagon bolt M8x30	4	
CNYL641-A021	Tensioner pulley assy	1	
CNYL641-A022	Flat washer M8	1	
CNYL641-A023	Eccentric shaft pulley	1	
CNYL641-A024	Flat key 6X25	1	
CNYL641-A025	Hexagon socket bolt M8X25	3	
CNYL641-A026	Drum gearbox parts	1	
CNYL641-A027	Hexagon bolt M8x35	2	
CNYL641-A028	Tensioner pulley bolt	1	
CNYL641-A029	Drum assy	1	
CNYL641-A030	Nut M8	8	
CNYL641-A031	Axis card $\Phi$ 40	1	
CNYL641-A032	Drum connecting plate	1	
CNYL641-A033	Bearing 6008	1	
CNYL641-A034	Mud scraping board	1	
CNYL641-A035	Pipe bracket	1	

Single-drum roller parts (B)			
PART NO.	DESCRIPTION (English)	QTY	UNIT PRI
CNYL641-B001	Hexagon bolt M8x30	7	
CNYL641-B002	Flat washer M8	2	
CNYL641-B003	Hexagon bolt M8x25	8	
CNYL641-B004	Nut M8	4	
CNYL641-B005	Rear support plate	2	
CNYL641-B006	Bearing FB204	2	
CNYL641-B007	Rear wheel	1	
CNYL641-B008	Mud scraping board	1	
CNYL641-B009	Nut M8	6	
CNYL641-B010	Flat washer $\Phi 8$	6	
CNYL641-B011	Circlip $\Phi 20$	2	
CNYL641-B012	Hexagon bolt M8x35	1	



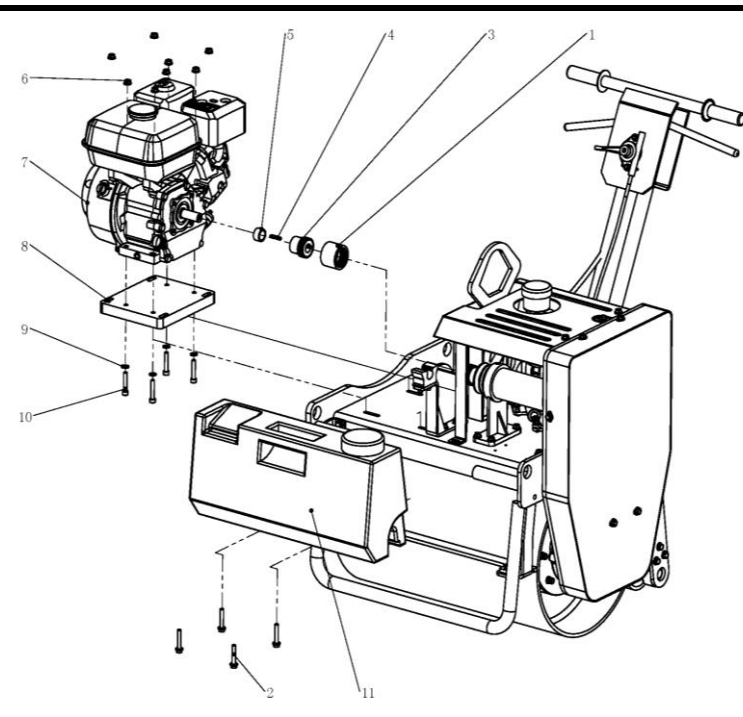
Single-drum roller parts (C)			
PART NO.	DESCRIPTION (English)	QTY	UNIT PRI
CNYL641-C001	Hexagon bolt M8x16	16	
CNYL641-C002	Fan baffle	1	
CNYL641-C003	Fan	1	
CNYL641-C004	Belt A20	1	
CNYL641-C005	Hydrostatic driver input shaft pulley	1	
CNYL641-C006	Flat key 5X30	1	
CNYL641-C007	Hexagon bolt M8x110	2	
CNYL641-C008	Hexagon bolt M8x45	2	

CNYL641-C009	Hexagon socket bolt M6x20	1	
CNYL641-C010	Hexagon socket bolt M6X10	1	
CNYL641-C011	Hydraulic pump (HYDRO-GEAR)	1	
CNYL641-C012	Control cable	1	
CNYL641-C013	Hexagon bolt M6X20	4	
CNYL641-C014	Throttle lever	1	
CNYL641-C015	Throttle cable	1	
CNYL641-C016	Seal plate	1	
CNYL641-C017	Hexagon bolt M12x30	2	
CNYL641-C018	Nut M12	1	
CNYL641-C019	Flat washer $\Phi 12$	1	
CNYL641-C020	Reversing handle	1	
CNYL641-C021	Lifting frame	1	
CNYL641-C022	Upper handle	1	
CNYL641-C023	Bolt M12X50	1	
CNYL641-C024	Handle grip	2	
CNYL641-C025	Hexagon bolt M8x40	1	
CNYL641-C026	Reversing joint	1	
CNYL641-C027	Hexagon bolt M8x25	5	
CNYL641-C028	Flat key 8X20	1	
CNYL641-C029	Nut M6	2	
CNYL641-C030	Bolt M8X40	1	
CNYL641-C031	Bearing M8	2	
CNYL641-C032	Sprocket wheel	1	
CNYL641-C033	Circlip $\Phi 25$	1	



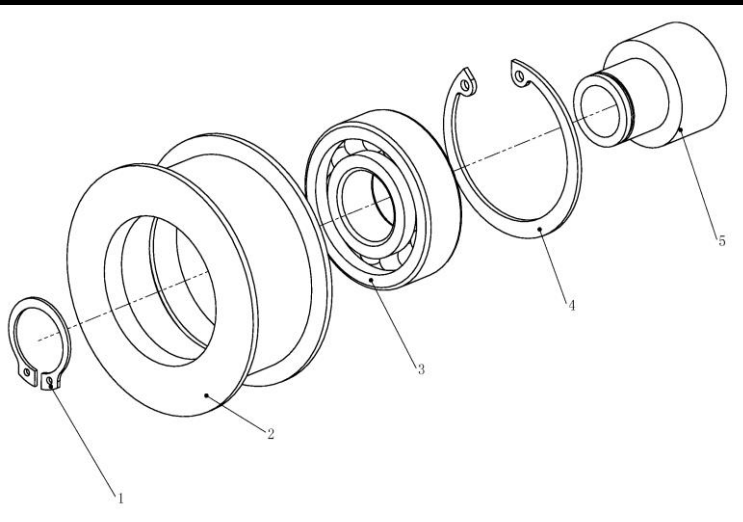
CNYL641-C034	Clutch shaft assembly	1	
CNYL641-C035	Hexagon bolt M8x30	10	
CNYL641-C036	Return mechanism (optional)	1	
CNYL641-C037	Bearing M6	2	
CNYL641-C038	Gear box	1	
CNYL641-C039	Adjusting handle M12x65	1	
CNYL641-C040	Cable setting plate	1	
CNYL641-C041	Hexagon bolt M8x35	4	
CNYL641-C042	Clutch assy	1	
CNYL641-C043	Flat key 5X20	1	
CNYL641-C044	Flat washer M8	1	
CNYL641-C045	Belt	1	
CNYL641-C046	Chain	1	
CNYL641-C047	Belt cover	1	

Single-drum roller parts (D)			
PART NO.	DESCRIPTION (English)	QTY	UNIT PRI
CNYL641-D001	Nylon coupling	1	
CNYL641-D002	Hexagon bolt M8x45	4	
CNYL641-D003	Shaft gear	1	
CNYL641-D004	Flat key 5X30	1	
CNYL641-D005	Engine gasket 15mm	1	
CNYL641-D006	Nut M8	8	
CNYL641-D007	Engine	1	
CNYL641-D008	Engine base	1	
CNYL641-D009	Flat washer $\Phi 8$	4	
CNYL641-D010	Hexagon socket bolt M8X45	4	
CNYL641-D011	Water tank	1	

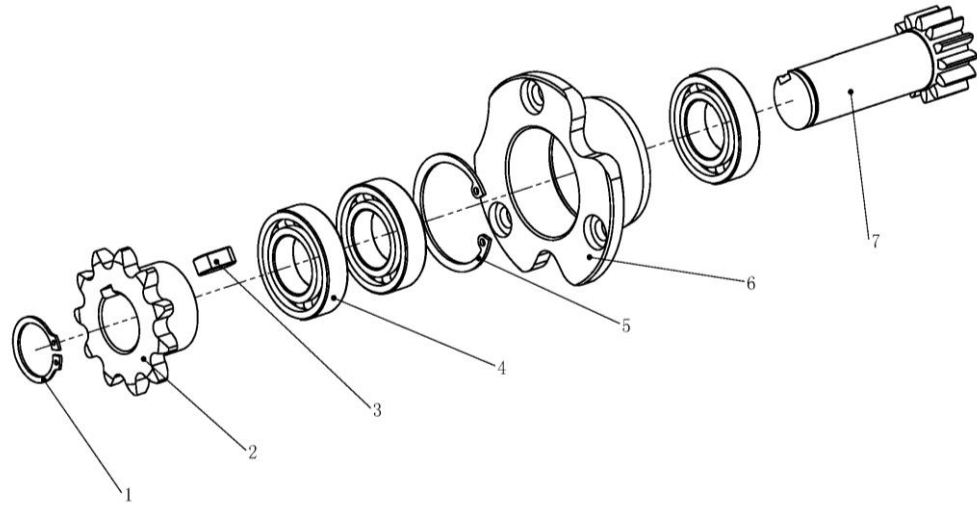


Remark: CNYL641 is composed of above 4 major components. The following is exploded view of the individual parts.

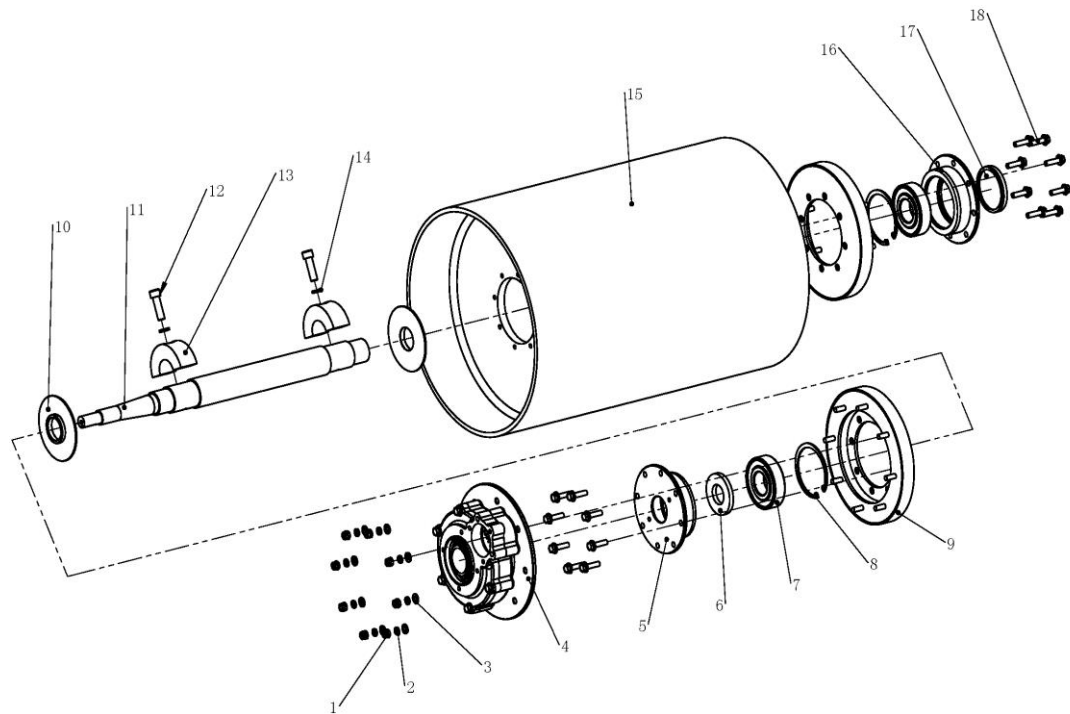
Tensioner pulley assy (CNYL641-A021)			
PART NO.	DESCRIPTION (English)	QTY	UNIT PRI
CNYL641-A021-01	Circlip $\Phi 20$	1	
CNYL641-A021-02	Tensioner pulley	1	
CNYL641-A021-03	Bearing 6204	1	
CNYL641-A021-04	Hole retainer $\Phi 47$	1	
CNYL641-A021-05	Tensioner pulley sleeve	1	



Drum gearbox parts (CNYL641-A026)			
PART NO.	DESCRIPTION (English)	QTY	UNIT PRI
CNYL641-A026-01	Circlip $\Phi 25$	1	
CNYL641-A026-02	Sprocket wheel	1	
CNYL641-A026-03	Flat key 8X20	1	
CNYL641-A026-04	Bearing 6005	3	
CNYL641-A026-05	Hole retainer $\Phi 47$	1	
CNYL641-A026-06	Small gear connecting shaft sleeve	1	
CNYL641-A026-07	Small gear	1	

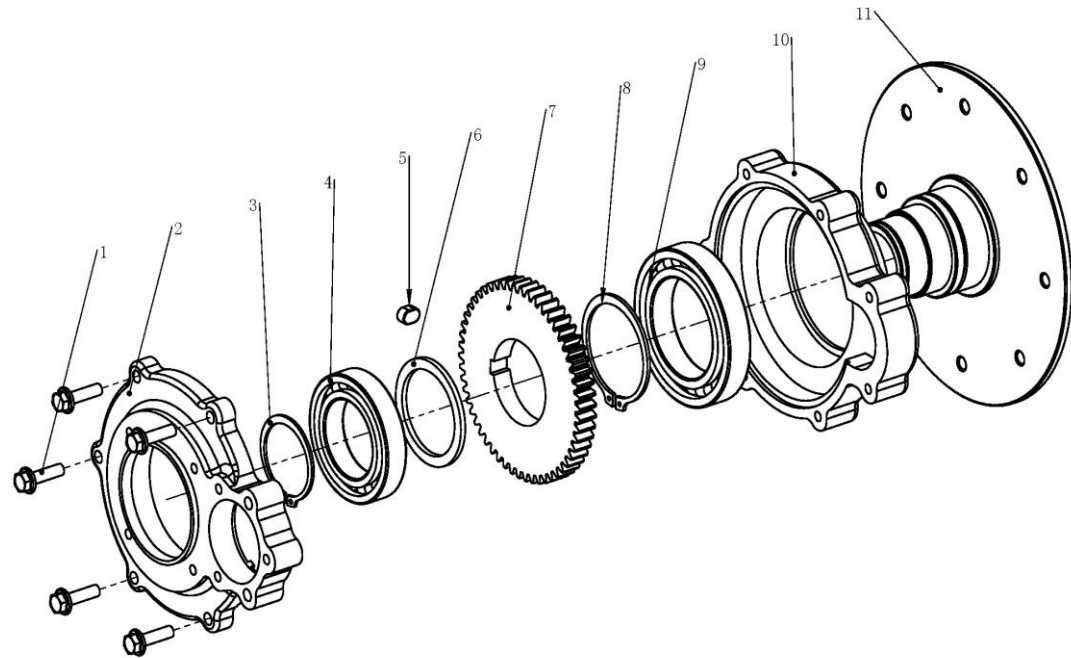


Drum assy (CNYL641-A029)			
PART NO.	DESCRIPTION (English)	QTY	UNIT PRI
CNYL641-A029-01	Nut M8-N	8	
CNYL641-A029-02	Spring washer $\Phi 8$	8	
CNYL641-A029-03	Flat washer $\Phi 8$	8	
CNYL641-A029-04	Drum gearbox	1	
CNYL641-A029-05	Bearing cover	1	
CNYL641-A029-06	Oil seal 35x72x8	1	
CNYL641-A029-07	Bearing 6308-2Z	2	
CNYL641-A029-08	Hole retainer $\Phi 90$	2	
CNYL641-A029-09	Drum rubber connecting plate	2	
CNYL641-A029-10	Dustproof cover	2	
CNYL641-A029-11	Drum shaft	1	
CNYL641-A029-12	Hexagon socket bolt M12x40	2	
CNYL641-A029-13	Eccentric block	2	
CNYL641-A029-14	Spring washer $\Phi 12$	2	
CNYL641-A029-15	Drum	1	
CNYL641-A029-16	Bearing cover	1	
CNYL641-A029-17	Nylon cap	1	
CNYL641-A029-18	Hexagon bolt M8x30	16	

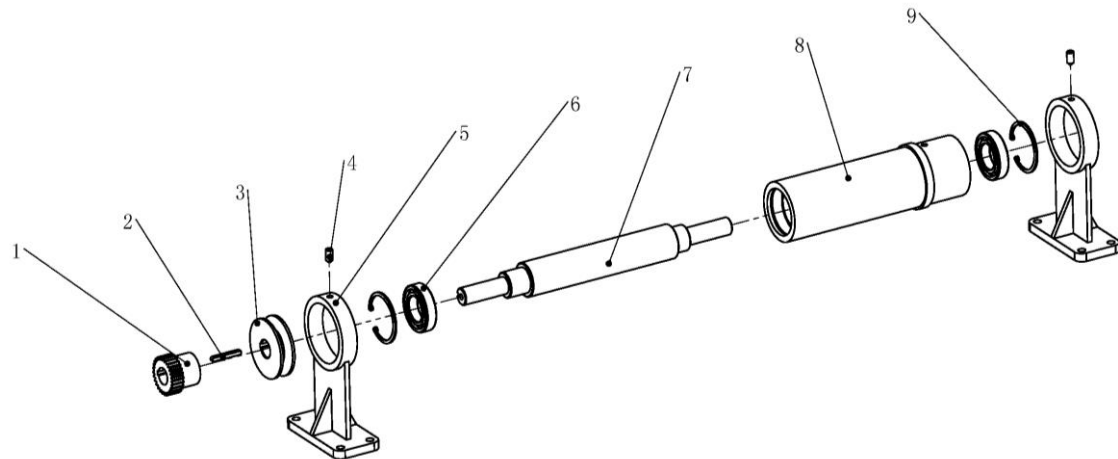




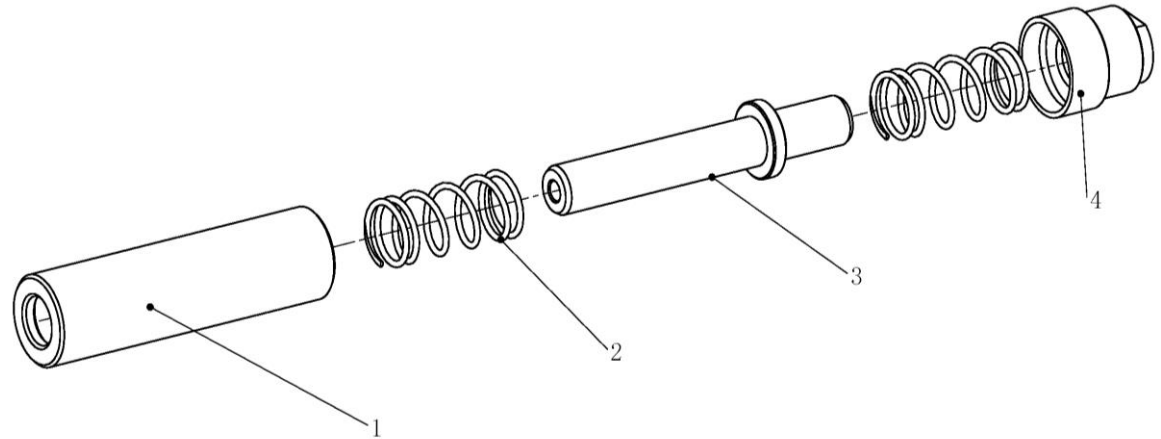
Drum gearbox (CNYL641-A29-04)			
PART NO.	DESCRIPTION (English)	QTY	UNIT PRI
CNYL641-A029-04-0	Hexagon bolt M8x30	5	
CNYL641-A029-04-0	Drum gearbox cover	1	
CNYL641-A029-04-0	Circlip $\Phi 55$	1	
CNYL641-A029-04-0	Bearing 6011	1	
CNYL641-A029-04-0	Flat key 10X15	1	
CNYL641-A029-04-0	Drum gear gasket	1	
CNYL641-A029-04-0	Drum big gear	1	
CNYL641-A029-04-0	Circlip $\Phi 70$	1	
CNYL641-A029-04-0	Bearing 6014	1	
CNYL641-A029-04-1	Drum gearbox house	1	
CNYL641-A029-04-1	Drum gearbox connecting plate	1	



Clutch shaft assy (CNYL641-C034)			
PART NO.	DESCRIPTION (English)	QTY	UNIT PRI
CNYL641-C034-01	Shaft gear	1	
CNYL641-C034-02	Flat key 5X40	1	
CNYL641-C034-03	Small pulley	1	
CNYL641-C034-04	Hexagon socket bolt M8x16	2	
CNYL641-C034-05	Lift ring 2	2	
CNYL641-C034-06	Bearing 6006	2	
CNYL641-C034-07	Clutch shaft	1	
CNYL641-C034-08	Clutch cylinder	1	
CNYL641-C034-09	Hole retainer $\Phi 55$	2	



Return mechanism (CNYL641-C036) Optional			
PART NO.	DESCRIPTION (English)	QTY	UNIT PRICE
CNYL641-C036-01	Return mechanism 1	1	
CNYL641-C036-02	Return spring	2	
CNYL641-C036-03	Return mechanism 2	1	
CNYL641-C036-04	Return mechanism 3	1	



Gear box (CNYL641-C038)			
PART NO.	DESCRIPTION (English)	QTY	UNIT PRICE
CNYL641-C038-01	Hexagon socket bolt M8X25	5	
CNYL641-C038-02	Spring washer $\Phi 8$	5	
CNYL641-C038-03	Circlip $\Phi 25$	2	
CNYL641-C038-04	Bearing 6005	4	
CNYL641-C038-05	Gearbox cover	1	
CNYL641-C038-06	Hole retainer $\Phi 47$	4	
CNYL641-C038-07	Output shaft gear	1	
CNYL641-C038-08	Bearing NJ203EM	1	
CNYL641-C038-09	Driven shaft gear	1	
CNYL641-C038-10	Driven shaft gear	1	
CNYL641-C038-11	Pin	2	

CNYL641-C038-12	Paper gasket	1	
CNYL641-C038-13	Driven shaft gear	1	
CNYL641-C038-14	Flat key 5X20	1	
CNYL641-C038-15	Driven shaft gear	1	
CNYL641-C038-16	Bearing 6004	1	
CNYL641-C038-17	Gearbox house	1	
CNYL641-C038-18	Circlip $\Phi 17$	1	
CNYL641-C038-19	Input shaft gear	1	
CNYL641-C038-20	Hole retainer $\Phi 55$	1	
CNYL641-C038-21	Bearing 6006	2	
CNYL641-C038-22	Circlip $\Phi 30$	1	
CNYL641-C038-23	Flat key 4X16	1	
CNYL641-C038-24	Input shaft	1	
CNYL641-C038-25	Hydrostatic connecting plate	1	
CNYL641-C038-26	Hexagon socket bolt M8X20	3	

